

LABEL VALUES:

Input:

~ 100 - 240V, 8.5 – 3.5 A, 50-60 Hz Po = 700 W
~ 200 - 240 V, 5.3 – 4.5 A, 50-60 Hz Po = 900 W

DC Outputs:

V1: E, F, G, H, J, K, L, M, N or 0
V2: E, F, G, H, J, K, L, M, N or 0
V3: E, F, G, H, J, K, L, M, N or 0
V4: E, F, G, H, J, K, L, M, N or 0
V5: 5 V, 1 A (auxiliary output)

E → 2.0 to 5.3 V / 53 A
F → 5.2 to 15 V / 22 A
G → 14 to 30 V / 11 A
H → 29 to 44 V / 7.4 A
J → 43 to 54 V / 5.5 A
K → 1.5 to 15 V / 6 A
L → 3 to 32 V / 3 A
M → 2x 1.5 to 15 V / 6 A
N → 2x 3 to 32 V / 3 A
0 → Blank Panel Slot Cover (no module assembled on this position)

Note 1: Input selection is automatic; no manual change is required.

Note 2: For output power derating access the data sheet on the website at www.belpowersolutions.com and go to the respective LPM409 listing.

SAFETY APPROVALS: Approved to the latest edition of the following standards: CSA/UL60950-1, EN60950-1 and IEC60950-1 and CE Mark for LVD



INSTALLATION: For details and mechanical drawings, access the AC-DC Data Sheet/App Notes link on the website at www.belpowersolutions.com and go to the respective LPM409 listing.

– CAUTIONS & NOTES –

CAUTION: These component level power supplies are intended exclusively for installation within other equipment by an industrial assembly operation or by professional installers. These are Class 1 power supplies; the unit must be properly connected to earth ground in end use. A component power supply should be installed in end-use equipment according to the requirements of the safety standard used for that equipment. This power supply is not designed to be operated outside of an enclosure which provides a means of mechanical, electrical, and fire protection. To maintain SELV requirements, the outputs should not be connected together in any manner which causes the total output voltage to exceed 60 VDC.

PROTECTIVE EARTHING: The Power Supply must be properly grounded to mains protective earth termination at end use.

ENVIRONMENTAL CONDITIONS:

TRANSPORTATION & STORAGE:

Ambient Temperature Range -40 °C to +75 °C

OPERATION:

Ambient Temperature Range -20°C to +50°C (At 700/900W load)*
-20°C to +70°C (At 350/450W load)*

Relative Humidity Range: 5% to 95% RH Non-Condensing
Altitude: to 40,000 ASL Feet

Relative Humidity Range: 10% to 90% RH Non-Condensing
Altitude: to 10,000 ASL Feet

Note: * - for the details about power derating please check the datasheet of LPM409.

SERVICING: In case of failure, the Power Supply must be returned to our Authorized Service Center. There are no user serviceable parts in the Power Supply.

Additional application information is available from the web site at www.belpowersolutions.com

LIMITED WARRANTY: The company warrants each power supply of its manufacture for a period of two years from the date of original shipment. This warranty applies to defects in materials and workmanship that result in non-performance to published specifications. The product(s) must be returned to the Authorized Service Center for repair with a pre-assigned RMA number. The company assumes no liabilities for consequential damages of any kind through the use or misuse of its products by any user. No other obligations are expressed or implied.

Please note that the specifications, terms, and conditions stated are subject to change without notice.

NUCLEAR AND MEDICAL APPLICATIONS: This product was not designed, intended for use in, or authorized for use as critical components in life support systems, equipment used in hazardous environments, or nuclear control systems without the express written consent of the respective divisional president of the company.

TECHNICAL REVISIONS: The appearance of products, including safety agency certifications pictured on labels, may change depending on the date manufactured. Specifications are subject to change without notice.

INPUT AND OUTPUT CONNECTOR DETAILS:

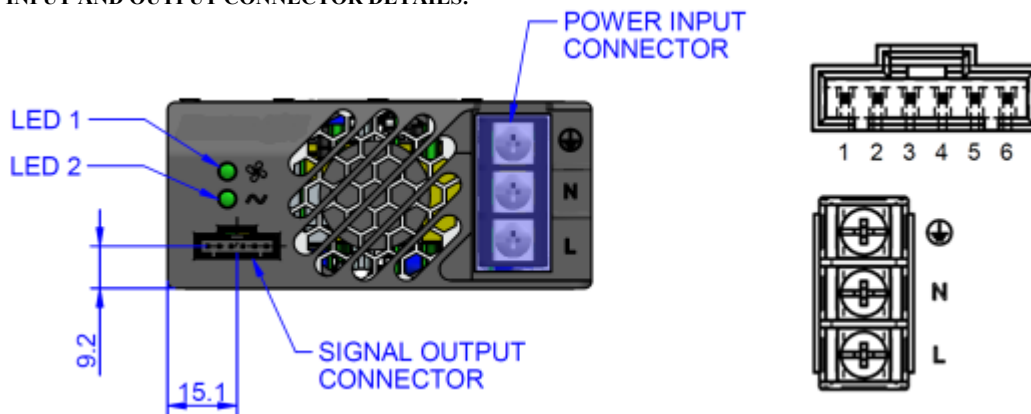



Fig.1 Front panel connectors

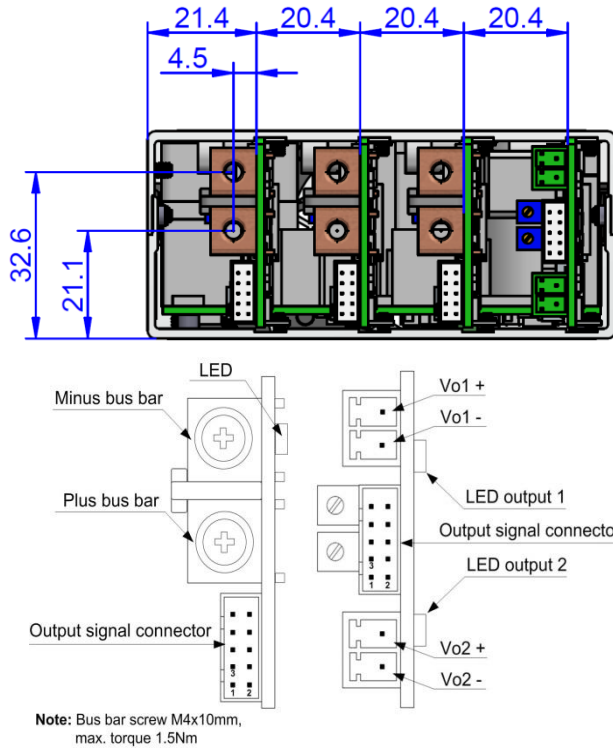
Tab.1 Input Power Connector - Pinout

Signal Name	Pin #	Type	Recommended wires	V max I max
Earth		Earth / Chassis	Min. 0,75 mm ² e.g. Interpower 86230040 Max. torque on screws (M4x6): 1,5 Nm	264 Vrms 10 Arms
AC Neutral	N	Input Power AC		
AC Line	L	Input Power AC Fused		

Tab.2 Input Signal Connector – Pinout

Signal Name	Pin #	Wire Color	Type	Signal reference	Low level High level	V max I max
+5V	1	Red	Aux Output	RTN_D	-	5.0Vdc 1.0A dc
+5V	2	Red	Aux Output	RTN_D	-	
RTN_D	3	Black	Logic Reference Potential	-	-	-
RTN_D	4	Black	Logic Reference Potential	-	-	-
PFAIL	5	Yellow	Open Collector Output + ZD 5.6V	RTN_D	<400mV@ 20mA Pull up	- 20mA
FAN_FAIL	6	Green	Open Collector Output + ZD 5.6V	RTN_D	<400mV@ 20mA Pull up	- 20mA

Additional application information is available from the web site at www.belpowersolutions.com



Tab.3 Output signal connector - pinout

Pin #	Signal Name by Modules E,F,G,H,J	Signal Name by Modules K,L,M,N
1	VS+	PG_HI_A
2	VS-	PG_LO_A
3	CSH	INH_HI_A
4	Common	INH_LO_A
5	N/C	N/C
6	N/C	N/C
7	PG_HI	PG_HI_B
8	PG_LO	PG_LO_B
9	INH_HI	INH_HI_B
10	INH_LO	INH_LO_B

Fig.2 Rear panel connectors

Note: The four top fastening screws can reach max. **3 mm** deep in the unit measured from top surface (max. torque 0,5Nm).
The four bottom fastening screws can reach max. **3 mm** deep in the unit measured from bottom surface (max. torque 0,5Nm).

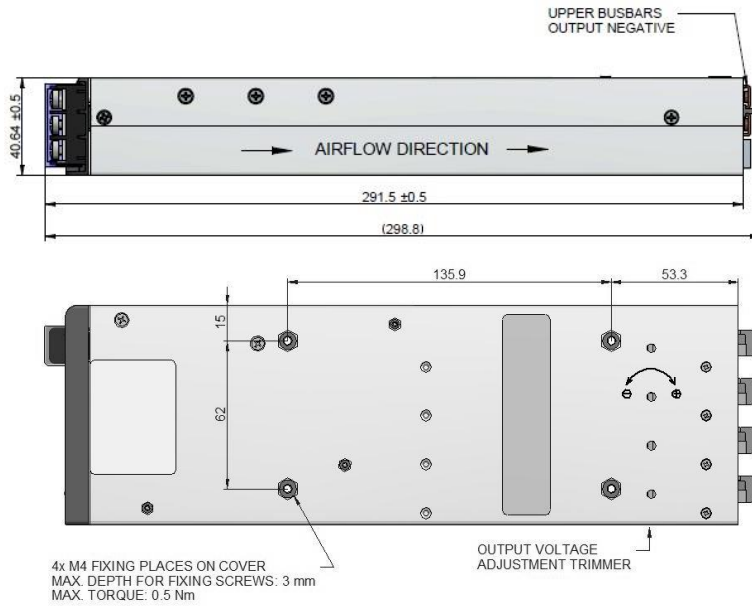


Fig.3 The side and bottom views

Additional application information is available from the web site at www.belpowersolutions.com