

5. PIN LAYOUT & DESCRIPTION



INPUT / OUTPUT CONNECTION BATT. + = IN/OUT Positive DC to Battery
 BATT. - = IN/OUT Negative DC to Battery
 24 VDC / 1.2 Ah = Jumper 1
 12 VDC / 2.4 Ah = Jumper 2 and 3

6. MECHANICAL DRAWING

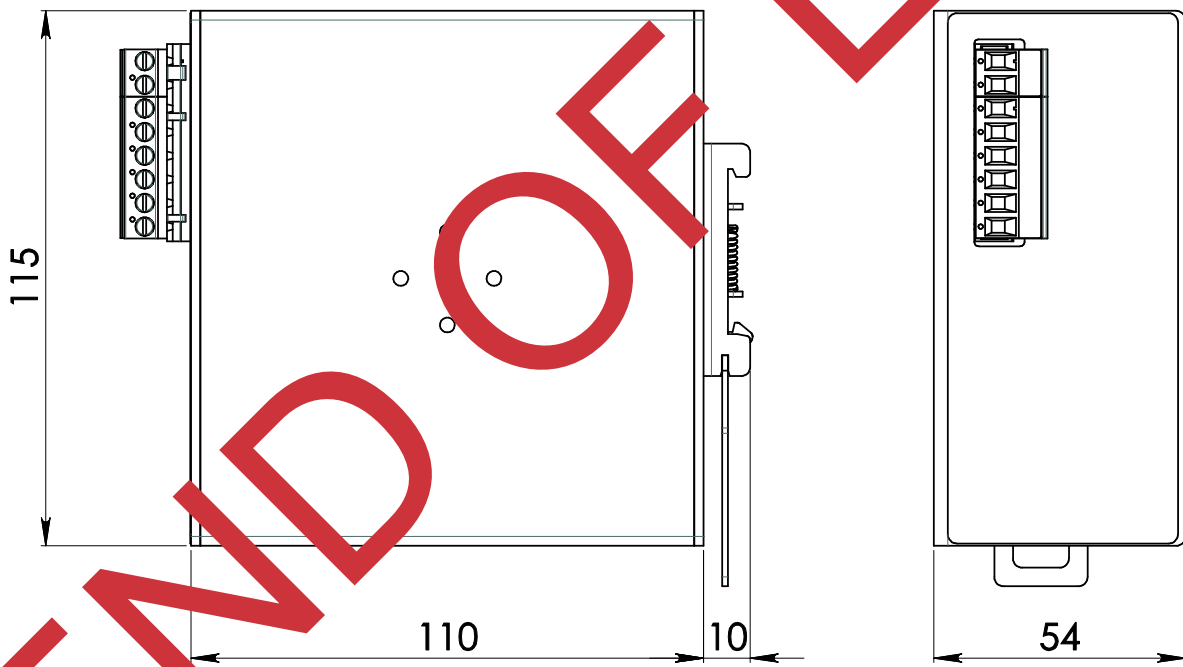


Figure 1. Mechanical Drawing

Notes:

Technical parameters are typical, measured in laboratory environment at 25°C.

For more details, performance and description regarding all parameters not indicate in the above table, please refer to [Installation Instruction](#).

NUCLEAR AND MEDICAL APPLICATIONS - Products are not designed or intended for use as critical components in life support systems, equipment used in hazardous environments, or nuclear control systems.

TECHNICAL REVISIONS - The appearance of products, including safety agency certifications pictured on labels, may change depending on the date manufactured. Specifications are subject to change without notice.



Asia-Pacific
 +86 755 298 85888

EMEA
 +353 61 49 8941

North America
 +1 866 513 2839

belfuse.com/power-solutions