

# Type 0AKC

## Electric Vehicle Power Fuses

0AKC Series

RoHS Compliant

### Description

The 0AKCX fuse is designed for EV or HEV application.

### Features



- Fast-Acting fuse for EV/HEV
- 750Vdc ideal for EV or HEV application
- Excellent DC performance
- Full compliance with EU Directive 2011/65/EU and amending directive 2015/863

### Applications

EV/HEV Applications



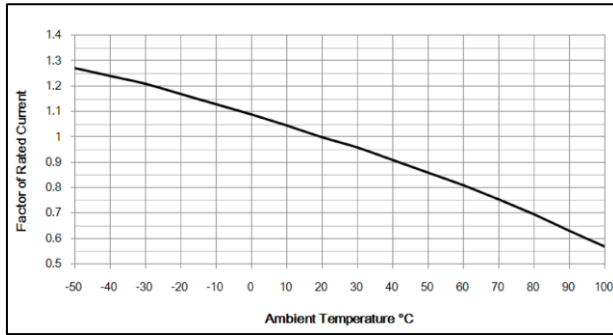
### Physical Specifications

Materials	Body : Ceramic
	Terminals : Tin Plated Copper
Marking	On Fuse :
	"bel", "0AKC", "Current Rating",
	"Interrupting Rating", "Voltage Rating"
	On Label :
	"bel", "0AKCX", "Current Rating", "Voltage Rating", "Interrupting Rating", "Appropriate Safety Logos" and "  ", "  " (China RoHS compliant).

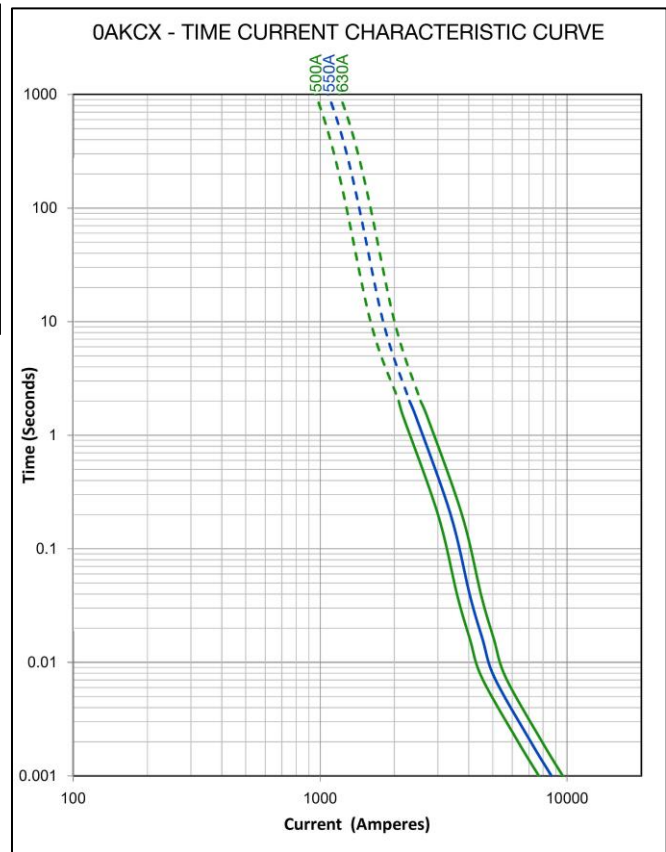
### Ratings

Voltage Rating (V)	Ampere Range / Volt @ I.R. ability*
500A-630A / 750V DC	500A-630A / 750V @ 20kA DC
*I.R.= Interrupting Rating = Short Circuit Rating(Amps)	

## Temperature Re-Rating Curve



## Average Time Current Curve



## Electrical Specifications

Part Number	Ampere Rating	Voltage and Interrupting Ratings	Typical I <sup>2</sup> t (A <sup>2</sup> sec)		0.5I <sub>n</sub> Power loss (W)
			Pre-arcing	Total @ 750Vdc	
0AKCxK500-xx	500A	See Table of Ratings on Page 1 for Voltage and associated Interrupting Ratings	35000	180000	<20
0AKCxK550-xx	550A		49400	238000	<23
0AKCxK630-xx	630A		61000	295000	<25

Consult manufacturer for other ratings

\*Temperature Rise: : <50K with 50% of rated current

### Conditions for operation in service

Where the following conditions apply, fuses complying with this standard are deemed capable of operating satisfactorily without further qualification.

Normal temperature: -5°C to 40°C;

The altitude of the site of installation of the fuses does not exceed 2000 m above sea level;

The air is clean and the relative humidity does not exceed 50 % at the maximum temperature of 40 °C;

Higher relative humidities are permitted at lower temperatures, e.g. 90 % at 20 °C;

Under these conditions, moderate condensation may occasionally occur due to variation in temperature.

For operation conditions other than above, please contact manufacturer.



Specifications subject to change without notice

**Bel Fuse Inc.**  
300 Executive Drive, Suite 300,  
West Orange, NJ 07052 USA

+1 201.432.0463  
Bel.US.CS@belf.com  
[belfuse.com/circuit-protection](http://belfuse.com/circuit-protection)

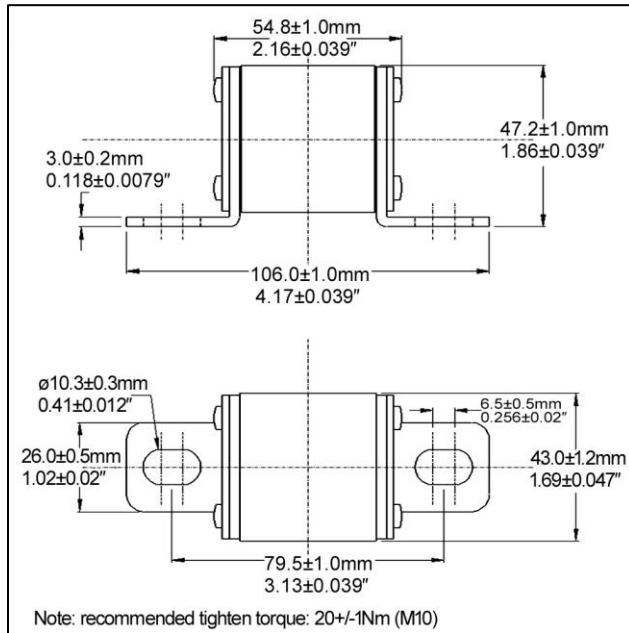
## Fuse FGNO Explanation

0AKC X [XXXX] -XX

0AKCB=0AKCB; [XXXX]=Ampere Rating; XX=See Ordering Information as below

Amps	Bel FGNO[XXXX]
500	K500
550	K550
630	K630

## Mechanical Dimensions



## Ordering Information

0AKC X XXXX - X X

FUSE TYPE \_\_\_\_\_

0AKC

MOUNTING TAB STYLE \_\_\_\_\_

B = For Stud Mount, Bottom blade

AMPERE RATING \_\_\_\_\_

Refer to fuse FGNO explanation table

PACKAGING CODE \_\_\_\_\_

B = Bulk Pack

QUANTITY CODE \_\_\_\_\_

A = 3pcs/carton, 14cartons/box (42pcs per box)

## Packaging

Packaging Option	Quantity	Packaging Code
Bulk	3pcs/carton, 14cartons/box (42pcs per box)	BA