

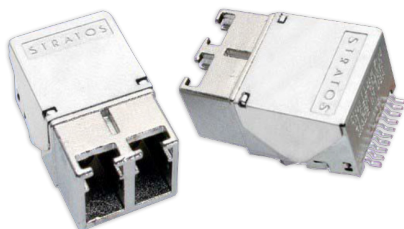
LxS-ST11xx Low Profile Optical Transceiver

2x/4x Fiber Channel (2.125G – 4.25Gbps) 3.3V,
850nm VCSEL, Multimode, Up to 300 Meters

Applications

The LxS-ST11xx multimode optical fiber transceivers provide low profile, cost effective solutions for rate agile 2x/4x Fiber Channel multimode optical fiber data links, with a duplex LC connector interface.

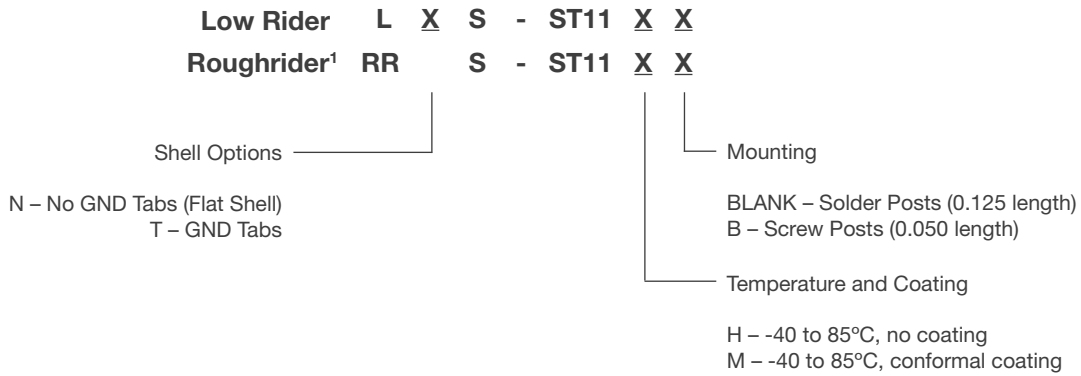
These transceivers are fully compliant with the ANSI Fiber Channel standards but can be used for any other data communications purpose within their operating parameters.



Features

- Low Profile Design - 0.386 inches max. height
- Surface mount I/O pins for high speed signal integrity
- All metal body, solder or screw mount options
- Industrial Temp Range, Vibration tolerant design
- RX data squelch on Signal Detect deassert
- Individual (separate) +3.3 V power supply per port
- Industry standard duplex multimode LC receptacle
- Compliant with ANSI Fiber Channel FC-PI / PH2
- EN-60825 / IEC-825 / CDRH Class 1 Compliant
- Optional Parylene C Conformal Coating
- Optional addition of fiber pigtail

Ordering Information



Transmitters: VCCTX = 3.135V to 3.465V, T_A = Operating Temperature Range

Parameter	Symbol	MIN	Typical	MAX	Unit
Optical Output Power ¹	P _O	-9.5		-4	dBm
Extinction Ratio	ER		10		dB
Optical Modulation Amplitude (p-p)	OMA				
4.25 GigaBaud		196			μW
2.125 GigaBaud		196			μW
Total Jitter ¹	T _j			85	ps

Receivers: VCCR_X = 3.135V to 3.465V, T_A = Operating Temperature Range

Parameter	Symbol	MIN	Typical	MAX	Unit
Optical Sensitivity ³	P _I				
4.125 GigaBaud ¹		-15.0		0	dBm
2.0625 GigaBaud ²		-17.0		0	dBm
Optical Modulation Amplitude	OMA				
4.25 GigaBaud		49			μW
2.125 GigaBaud		49			μW

1. BER=10⁻¹² @ 2.125 GigaBaud, PRBS 2⁷-1, NRZ, Compliant with FC-PH-2.
2. BER=10⁻¹² @ 1.0625 GigaBaud, PRBS 2⁷-1, NRZ, Compliant with FC-PH.
3. Assuming an Extinction Ratio of 9dB

Link Distances

Application	Fiber Specification	Distance
62.5/125 (200MHz*Km)	4x Fiber Channel – ANSI X3.297 FC-PI	70M
	2x Fiber Channel – ANSI X3.297 FC-PI	150M
50/125 (500MHz*Km)	4x Fiber Channel – ANSI X3.297 FC-PI	150M
	2x Fiber Channel – ANSI X3.297 FC-PI	300M

For more information on this product consult the LxS-ST11xx product data sheet.