

EBK-xRJ-xxVx GE Media Converter

For use with HMA Expanded Beam Optical Connector, Single or Dual Gigabit Ethernet (1.25Gbps), RJ45 Interface, 850nm Multimode, Up to 550m Link Distance

Applications

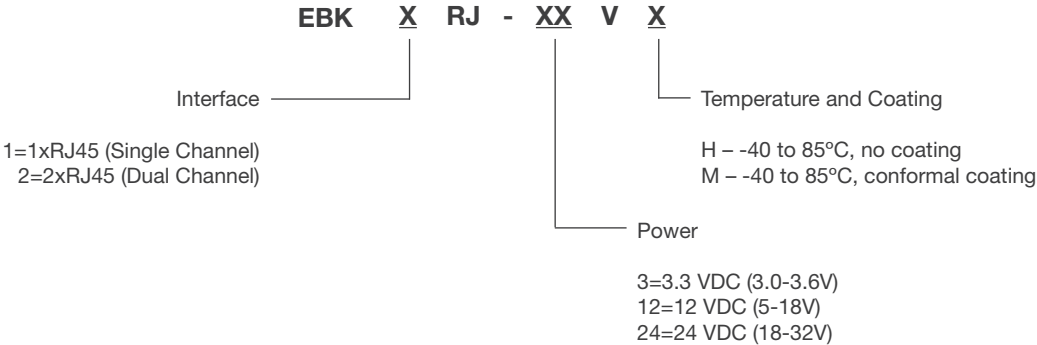
The EBK-xRJ-xxVx multimode optical media converters provide ruggedized stand alone conversion solutions for Gigabit Ethernet multimode links. The device accepts IEEE 802.3z electrical 1000BT signals using standard RJ45 connection, and converts to 1000BSX optical signals. The optical interface allows direct connection to any HMA Expanded Beam fiber cable.



Features

- Gigabit Ethernet Converter for Tactical Environments
- Single or Dual Ethernet Channels (2 or 4 Fiber)
- HMA Optical Connector Interface (1000BSX)
- RJ45 Electrical Interface (1000BT)
- 3.3V, 12V, 24V DC Power Options, 2W Max
- Backshell LEDs for Power and Link Status
- Industrial Temp Range, Vibration Tolerant design
- Compliant with IEEE 802.3 1000BT and 1000BSX
- EN-60825 / IEC-825 / CDRH Class 1 Compliant
- Optional Parylene C Conformal Coating

Ordering Information



Optical Performance: Fiber Type = 62.5/125µm, T_c = Operating Temperature Range

Parameter	Symbol	MIN	Typical	MAX	Unit
Output Power ¹	P _o	-10		-4	dBm
Transmit Extinction Ratio	ER	8	10		dB
Receive Sensitivity ²	P _i	-19	-20	-0	dBm

1. Output Power measured @ 1.25Gbps, PRBS 2⁷-1, NRZ
 2. Receive Sensitivity at BER=10⁻¹² @ 1.25Gbps, PRBS 2⁷-1, NRZ

For more information on this product consult the EBK-xRJ-xxVx product data sheet.