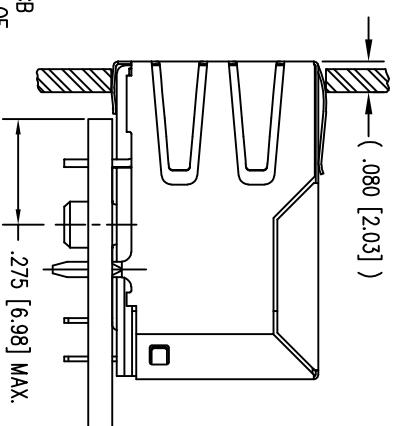
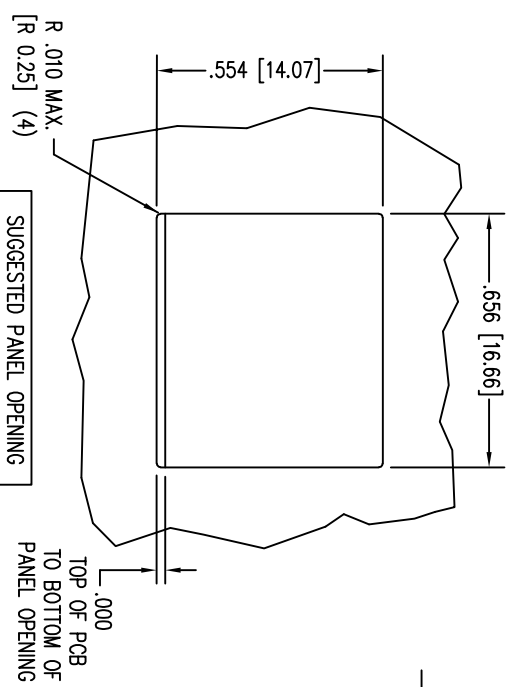


LED SPECIFICATION			
STANDARD LED	WAVELENGTH	Forward V (MAX)	* (TYP)
YELLOW	590 nm	2.5 V	2.1 V
GREEN	565 nm	2.5 V	2.2 V

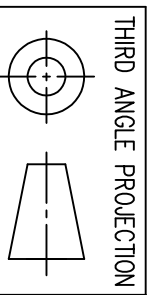
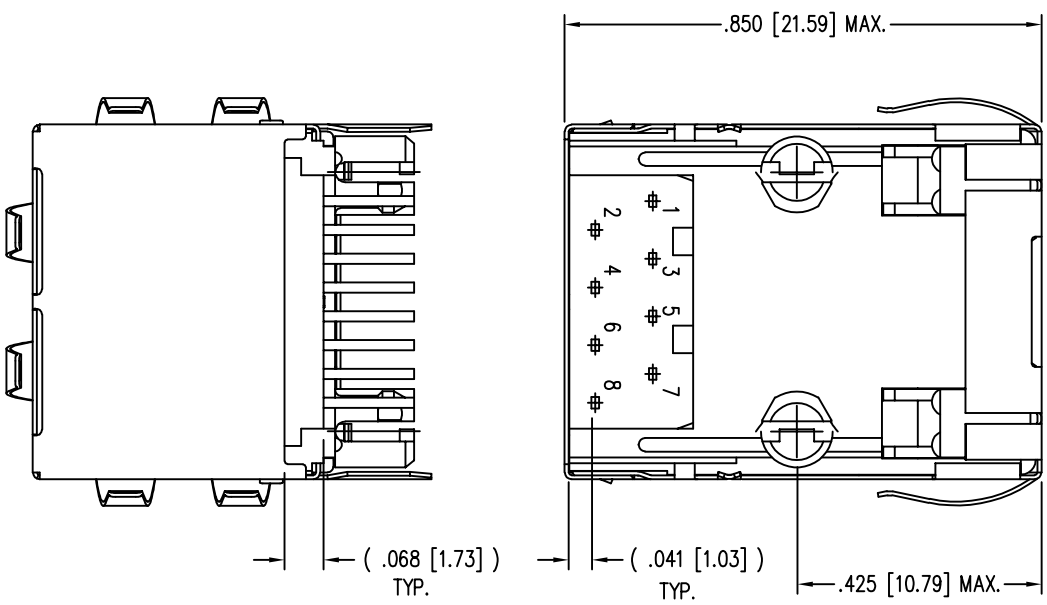
*WITH A FORWARD CURRENT OF 20 mA

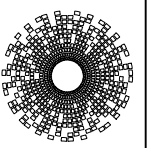
NOTES:

1. CONNECTOR MATERIALS:
HOUSING: HI-TEMP. UL94 V-0
CONTACTS/SHIELD: COPPER ALLOY
SHIELD PLATING: TIN
2. FOR PRODUCT SPECIFICATIONS SEE PRO22-01.
3. RATED AT MAX. 260°C FOR MAX. 10 SECS.
4. DIMENSIONS AND TOLERANCES COMPLY WITH TIA-1096 STANDARD.
5. THE SUGGESTED PANEL OPENING IS INTENDED TO GIVE USER THE ABILITY TO HAVE REASONABLE JACK/PANEL CLEARANCES, YET MAINTAIN GROUNDING CAPABILITY. THESE VARIABLES CAN BE ADJUSTED IN EITHER DIRECTION BUT MAY CARRY SOME CONSEQUENCES IN THE FORM OF LOWER MATING FORCES OR TIGHTER ASSEMBLY TOLERANCES.



50 MICRO-INCHES [1.27um]	SS74800-132F
CONTACT PLATING IN MATING AREA	PART NUMBER




Stewart
 Connector
 a bel group
 http://www.stewartconnector.com

TITLE: SINGLE PORT CAT 5 LED JACK, EMI-RFI, ONE PIECE SHIELD
 ESD GROUNDED AUTOMOTIVE GRADE

DO NOT SCALE DRAWING		DRN BY: TRM		DATE: 9-26-17	
DRAWING IS SUBJECT TO CHANGE WITHOUT NOTICE		APPR BY: DHG		DATE: 9-27-17	
DIMENSIONS: INCHES [METRIC]		DWG NO. CT740257F		REV. A1	
UNLESS OTHERWISE SPECIFIED TOLERANCES ARE ±.005 [0.13] ANGLES ARE ± 1°		THIS DRAWING AND THE SUBJECT MATTER SHOWN THEREON ARE CONFIDENTIAL AND THE PROPRIETARY PROPERTY OF STEWART CONNECTOR AND SHALL NOT BE REPRODUCED, COPIED, OR USED IN ANY MANNER WITHOUT PRIOR WRITTEN CONSENT OF STEWART CONNECTOR. ONE OR MORE U.S. PATENTS MAY APPLY TO THIS PRODUCT. FOR DETAILS, PLEASE VISIT: HTTP://BELFUSE.COM/STEWART/STEWART_PATENTS/			
SHEET NO. 1 OF 1		11118 Susquehanna Trail South Glen Rock, PA 17327-9199 (717) 235-7512			

