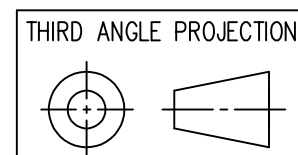


DATE	REV	ECN	APP'D. BY
3-16-16	A7	10615	TRM
4-23-18	A8	11232	TRM
5-19-22	A9	11986	JE

NOTES:

- CONNECTOR MATERIALS:
HOUSING: THERMOPLASTIC UL94 V-0
BI-COLOR LEDs: CLEAR, PLASTIC COVER
CONTACTS/SHIELD: COPPER ALLOY
SHIELD PLATING: TIN-PLATED
CONTACT PLATING: SELECTIVE GOLD IN CONTACT AREA
SEE CHART FOR PART NUMBER
- FOR PRODUCT SPECIFICATION SEE PR022-01.
- DIMENSIONS AND TOLERANCES COMPLY WITH TIA-1096 STANDARD.
- THE SUGGESTED PANEL OPENING IS INTENDED TO GIVE USER THE ABILITY TO HAVE REASONABLE JACK/PANEL CLEARANCES, YET MAINTAIN GROUNDING CAPABILITY. THESE VARIABLES CAN BE ADJUSTED IN EITHER DIRECTION BUT MAY CARRY SOME CONSEQUENCES IN THE FORM OF LOWER MATING FORCES OR TIGHTER ASSEMBLY TOLERANCES.

30 MICRO-INCHES [0.76um]	SS-7488S-CC-PG3-BA
CONTACT PLATING IN MATING AREA	PART NUMBER



1118 Susquehanna Trail South
Glen Rock, PA 17327-9199
(717) 235-7512
<http://www.stewartconnector.com>

DO NOT SCALE DRAWING
DRAWING IS SUBJECT TO CHANGE WITHOUT NOTICE

DIMENSIONS: INCHES [METRIC]
UNLESS OTHERWISE SPECIFIED TOLERANCES ARE $\pm .005 [0.13]$ ANGLES ARE $\pm 1^\circ$

SHEET NO. 1 OF 2

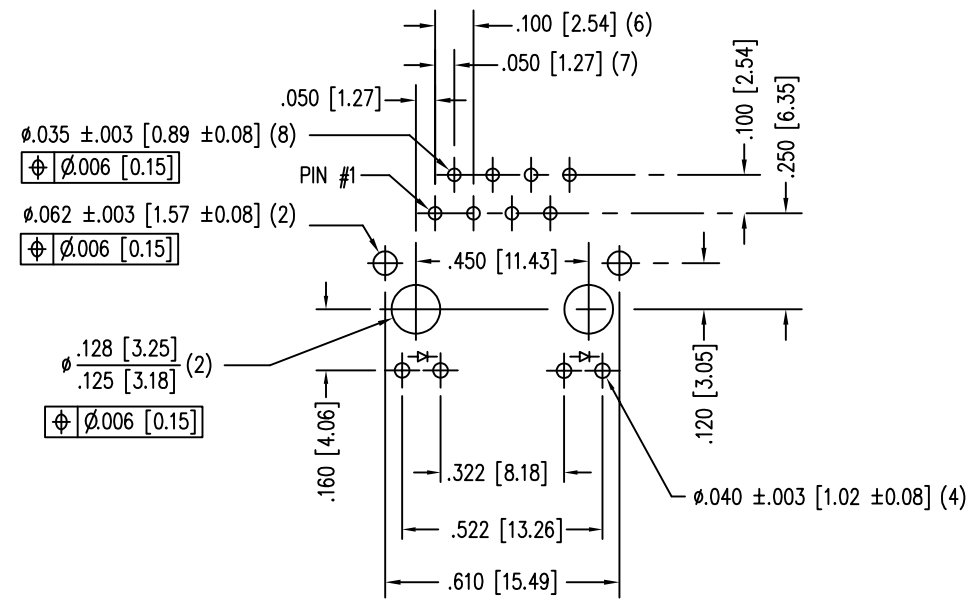
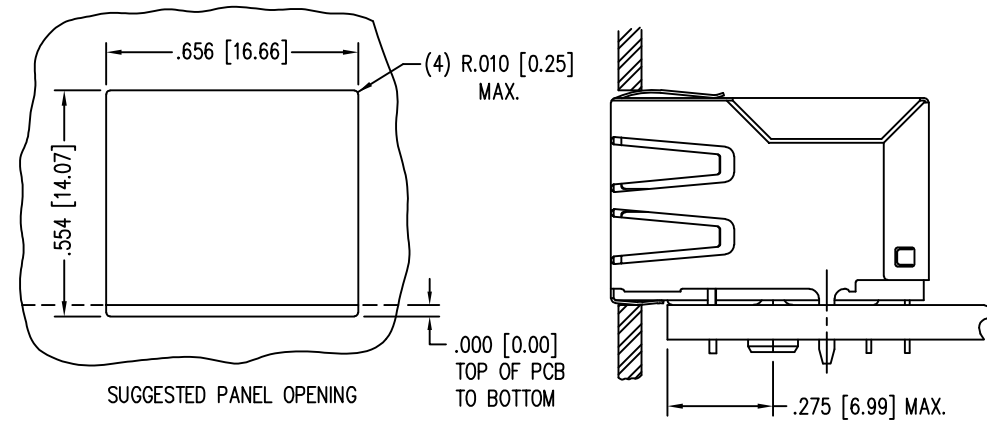
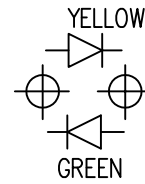
TITLE: SINGLE PORT SHIELDED LED JACK

DRN BY: DAB	DATE 10-22-03
APPD BY: RGC	DATE 10-22-03
DWG NO. CT740127	REV. A9

THIS DRAWING AND THE SUBJECT MATTER SHOWN THEREON ARE CONFIDENTIAL AND THE PROPRIETARY PROPERTY OF STEWART CONNECTOR AND SHALL NOT BE REPRODUCED, COPIED, OR USED IN ANY MANNER WITHOUT PRIOR WRITTEN CONSENT OF STEWART CONNECTOR. ONE OR MORE U.S. PATENTS MAY APPLY TO THIS PRODUCT. FOR DETAILS, PLEASE VISIT: [HTTP://BELFUSE.COM/STEWART/STEWART_PATENTS/](http://BELFUSE.COM/STEWART/STEWART_PATENTS/)



LED POLARITY
(ENLARGED VIEW)



LED SPECIFICATIONS

LED SPECIFICATIONS				
LOW CURRENT BI-COLOR LED		WAVELENGTH	* FORWARD VOLTAGE (MAX)	* FORWARD VOLTAGE (TYP)
YELLOW/GREEN	YELLOW	590 nm	2.5 V	2.10 V
	GREEN	555 nm	2.6 V	2.25 V

* WITH A FORWARD CURRENT OF 20 mA



<p>THIRD ANGLE PROJECTION</p>	<p>1118 Susquehanna Trail South Glen Rock, PA 17327-9199 (717) 235-7512 http://www.stewartconnector.com</p>						
<p>DO NOT SCALE DRAWING DRAWING IS SUBJECT TO CHANGE WITHOUT NOTICE</p>	<p>TITLE: SINGLE PORT SHIELDED LED JACK</p>						
<p>DIMENSIONS: INCHES [METRIC]</p> <p>UNLESS OTHERWISE SPECIFIED TOLERANCES ARE $\pm .005$ [0.13] ANGLES ARE $\pm 1^\circ$</p>	<p>THIS DRAWING AND THE SUBJECT MATTER SHOWN THEREON ARE CONFIDENTIAL AND THE PROPRIETARY PROPERTY OF STEWART CONNECTOR AND SHALL NOT BE REPRODUCED, COPIED, OR USED IN ANY MANNER WITHOUT PRIOR WRITTEN CONSENT OF STEWART CONNECTOR. ONE OR MORE U.S. PATENTS MAY APPLY TO THIS PRODUCT. FOR DETAILS, PLEASE VISIT: HTTP://BELFUSE.COM/STEWART/STEWART_PATENTS/</p>						
<p>SHEET NO. 2 OF 2</p>	<table border="1"> <tr> <td>DRN BY: DAB</td> <td>DATE 10-22-03</td> </tr> <tr> <td>APPD BY: RGC</td> <td>DATE 10-22-03</td> </tr> <tr> <td>DWG NO. CT740127</td> <td>REV. A9</td> </tr> </table>	DRN BY: DAB	DATE 10-22-03	APPD BY: RGC	DATE 10-22-03	DWG NO. CT740127	REV. A9
DRN BY: DAB	DATE 10-22-03						
APPD BY: RGC	DATE 10-22-03						
DWG NO. CT740127	REV. A9						