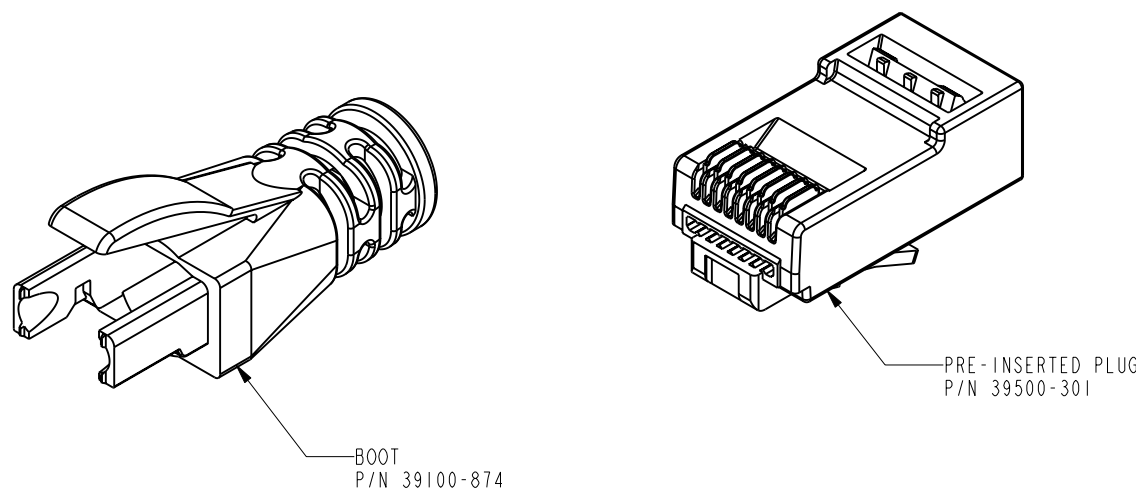
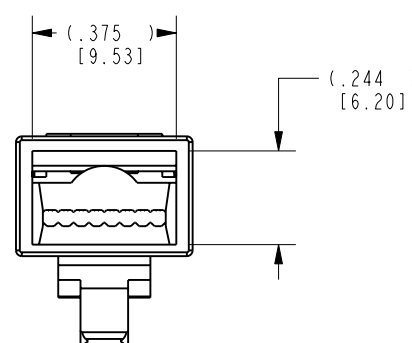
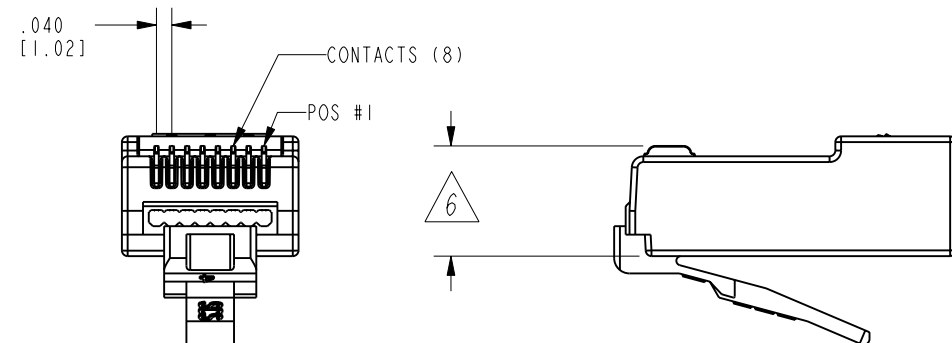
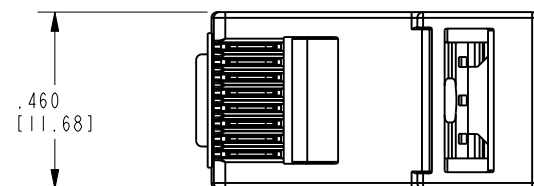


DATE	REV.	ECN	APP'D BY
4/30/2018	A0	-	DHG

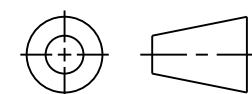


NOTES:

1. PLUG KIT CONSISTS OF:
PRE-INSERTED PLUG
BOOT
 2. MATERIALS:
PLUG BODY: CLEAR POLYCARBONATE, UL 94-V0
CONTACTS: COPPER ALLOY, SELECTIVE GOLD PLATING
BOOT: CLEAR POLYCARBONATE, UL 94 V0
 3. CONTACTS TERMINATE SOLID OR STRANDED CONDUCTORS BETWEEN .037 [0.92] TO .042 [1.07] OUTSIDE DIAMETER OF INSULATION.
 4. PLUG SPECIFICATION: FOR CATEGORY 5E AND 6 APPLICATIONS
 5. DIMENSIONS AND TOLERANCES COMPLY WITH TIA 1096 STANDARD
- △ 6 TERMINATION PLUG HEIGHT .237 [6.02] ± .005 [0.13]
- △ 7 PLUG KIT CONSISTS OF A PREDETERMINED QUANTITY OF PLUGS IN A ZIPPER BAG, AND A MATCHING QUANTITY OF BOOTS IN A SEPERATE ZIPPER BAG.

BAG OF 50 BOOTS	BAG OF 50 PLUGS	50 MICRO-INCHES [1.27um]	SS-39500-005
BAG OF 100 BOOTS	BAG OF 100 PLUGS	50 MICRO-INCHES [1.27um]	SS-39500-006
PACKAGE △ 7		CONTACT PLATING IN MATING AREA	PART NUMBER

THIRD ANGLE PROJECTION



11118 Susquehanna Trail South
Glen Rock, PA 17327-9199
(717) 235-7512
<http://www.stewartconnector.com>

DO NOT SCALE DRAWING
DRAWING IS SUBJECT TO CHANGE WITHOUT NOTICE

TITLE: **QWIK RJ45™ SELF TRIMMING PLUG KIT FOR CAT 5e, & 6, .250 [6.35] MAX CABLE**

DIMENSIONS: INCHES [METRIC]
UNLESS OTHERWISE SPECIFIED TOLERANCES ARE ±.005 [0.13] ANGLES ARE ±1°

THIS DRAWING AND THE SUBJECT MATTER SHOWN THEREON ARE CONFIDENTIAL AND THE PROPRIETARY PROPERTY OF STEWART CONNECTOR AND SHALL NOT BE REPRODUCED, COPIED, OR USED IN ANY MANNER WITHOUT PRIOR WRITTEN CONSENT OF STEWART CONNECTOR. ONE OR MORE U.S. PATENTS MAY APPLY TO THIS PRODUCT. FOR DETAILS, PLEASE VISIT: [HTTP://BELFUSE.COM/STEWART/STEWART_PATENTS/](http://BELFUSE.COM/STEWART/STEWART_PATENTS/)

DRN BY:	GWL	DATE	12/18/17
APPD BY:	DHG	DATE	12/18/17
DWG. NO.	CT390197	REV.	A0

SHEET NO. 1 OF 1

