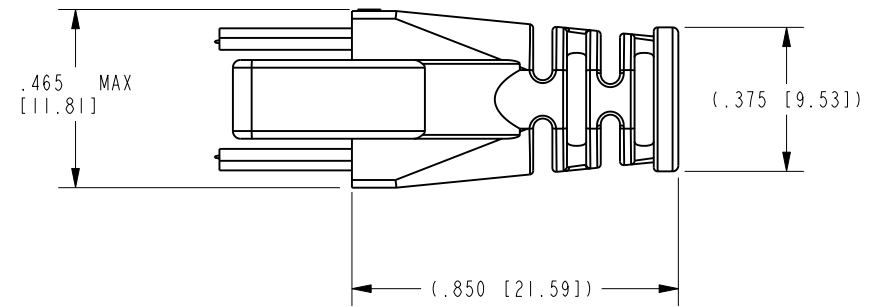
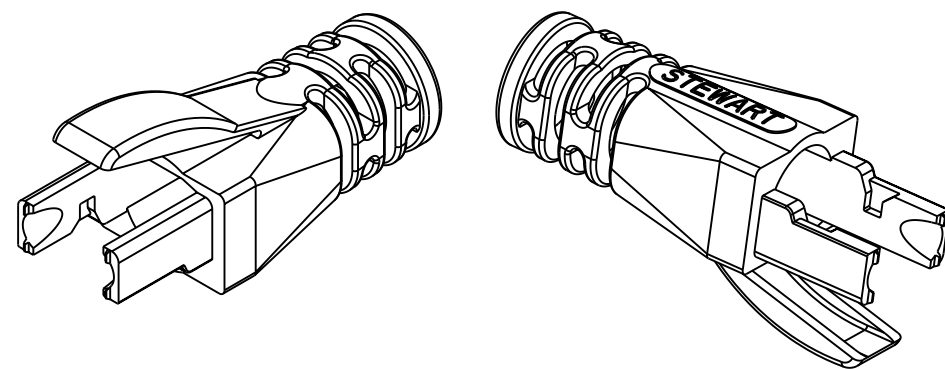
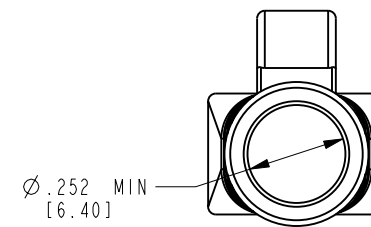
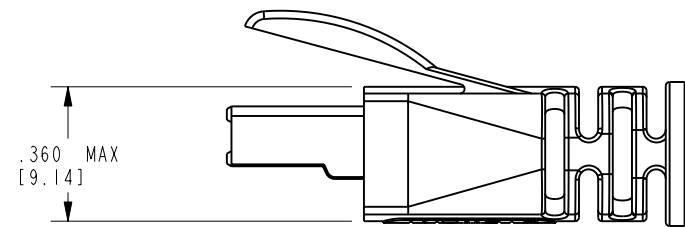


DATE	REV.	ECN	APP'D BY
4/30/2018	A0	-	DHG



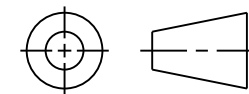
NOTES:

1. MATERIAL: POLYCARBONATE, UL 94-V0, CLEAR
2. CONSULT STEWART CONNECTOR FOR PLUG COMPATIBILITY
3. WORKS WITH CABLE .25 [6.35] MAX



BAG OF 50	SS-39500-003
BAG OF 100	SS-39500-004
PACKAGE	PART NUMBER

THIRD ANGLE PROJECTION



11118 Susquehanna Trail South
 Glen Rock, PA 17327-9199
 (717) 235-7512
<http://www.stewartconnector.com>

DO NOT SCALE DRAWING
 DRAWING IS SUBJECT TO
 CHANGE WITHOUT NOTICE

TITLE: BOOT KIT, CLEAR POLYCARBONATE
 .250 [6.35] MAX CABLE

DIMENSIONS: INCHES [METRIC]
 UNLESS OTHERWISE SPECIFIED
 TOLERANCES ARE ±.005 [0.13]
 ANGLES ARE ±1°

THIS DRAWING AND THE SUBJECT MATTER SHOWN THEREON
 ARE CONFIDENTIAL AND THE PROPRIETARY PROPERTY OF
 STEWART CONNECTOR AND SHALL NOT BE REPRODUCED,
 COPIED, OR USED IN ANY MANNER WITHOUT PRIOR WRITTEN
 CONSENT OF STEWART CONNECTOR. ONE OR MORE U.S. PATENTS
 MAY APPLY TO THIS PRODUCT. FOR DETAILS, PLEASE
 VISIT: [HTTP://BELFUSE.COM/STEWART/STEWART_PATENTS/](http://BELFUSE.COM/STEWART/STEWART_PATENTS/)

DRN BY:	GWL	DATE	12/14/17
APPD BY:	DHG	DATE	12/14/17
DWG. NO.	CT390196	REV.	A0

SHEET NO.
 1 OF 1

