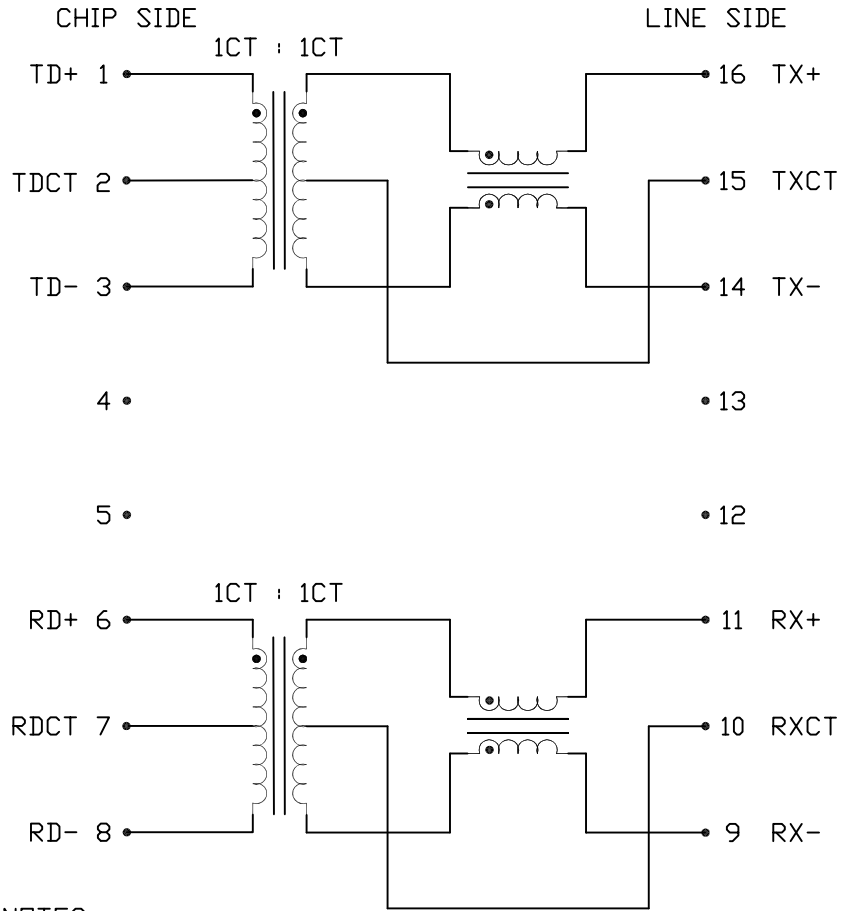


THE INFORMATION CONTAINED HEREIN IS CONSIDERED "PROPRIETARY" TO BEL FUSE INC. AND SHALL NOT BE COPIED, REPRODUCED OR DISCLOSED WITHOUT THE WRITTEN APPROVAL OF BEL FUSE INC.

ELECTRICAL CHARACTERISTICS @25°C



SCHEMATIC



URNS RATIO
 1-2-3 : 16-15-14
 6-7-8 : 11-10-9

1CT : 1CT
 1CT : 1CT

POLARITY

PER DOT CONVENTION

OCL

Tx PIN 1-3
 Rx PIN 6-8

350µH MIN
 @100kHz, 100mVrms
 w/8mA DC BIAS

LEAKAGE INDUCTANCE, Le
 CHIP SIDE WITH LINE SIDE SHORT

0.3µH MAX
 @1MHz, 20mVrms

INTERWINDING CAPACITANCE, Cw/w
 CHIP SIDE TO LINE SIDE

30pF MAX
 @1MHz, 20mVrms

DC RESISTANCE

PIN (1-3) = (6-8)

1.1Ω MAX

INSERTION LOSS

300kHz - 80MHz

1.0dB MAX

RETURN LOSS

300kHz - 30MHz
 30MHz - 60MHz
 60MHz - 80MHz

18dB MIN
 18-20LOG(F/30MHz) dB MIN
 12dB MIN

COMMON TO COMMON MODE REJ

300kHz - 100MHz

40dB TYP

COMMON TO DIFFERENTIAL MODE REJ

300kHz - 100MHz

40dB MIN

CROSSTALK

300kHz - 100MHz

40dB MIN

HIPOT

LEAKAGE CURRENT LESS THAN 1mA AT 1500VAC

OPERATING TEMPERATURE -40°C TO +85°C

NOTES :

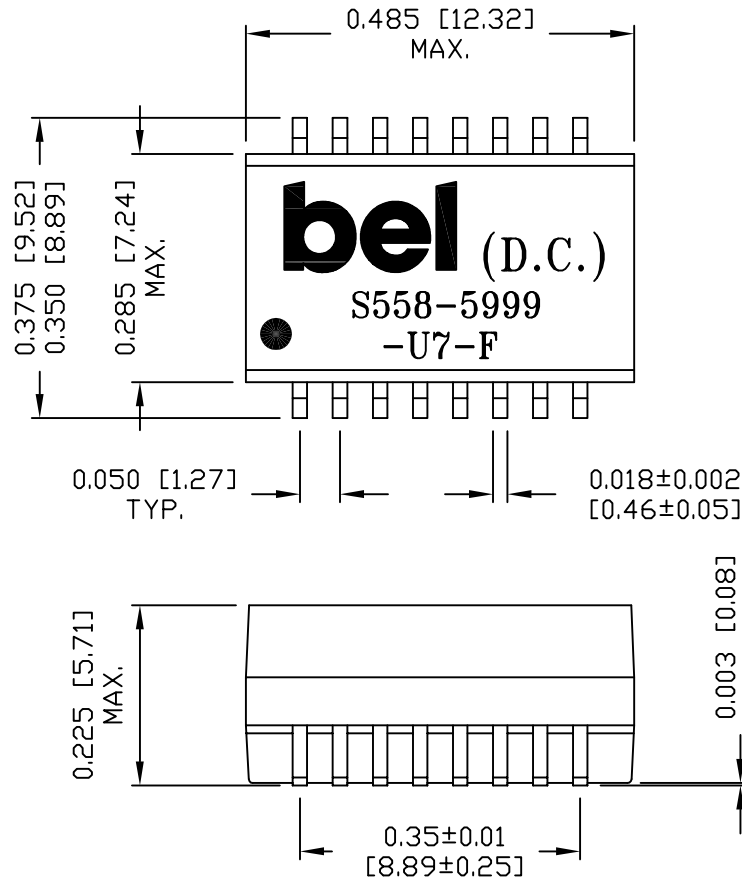
THIS PRODUCT HAS BEEN SUPPLYING TO JAPAN CUSTOMERS.
 PCN PROCESS NEEDS TO COMPLY WITH 4M CRITERIA.

REV. : A PAGE : 2

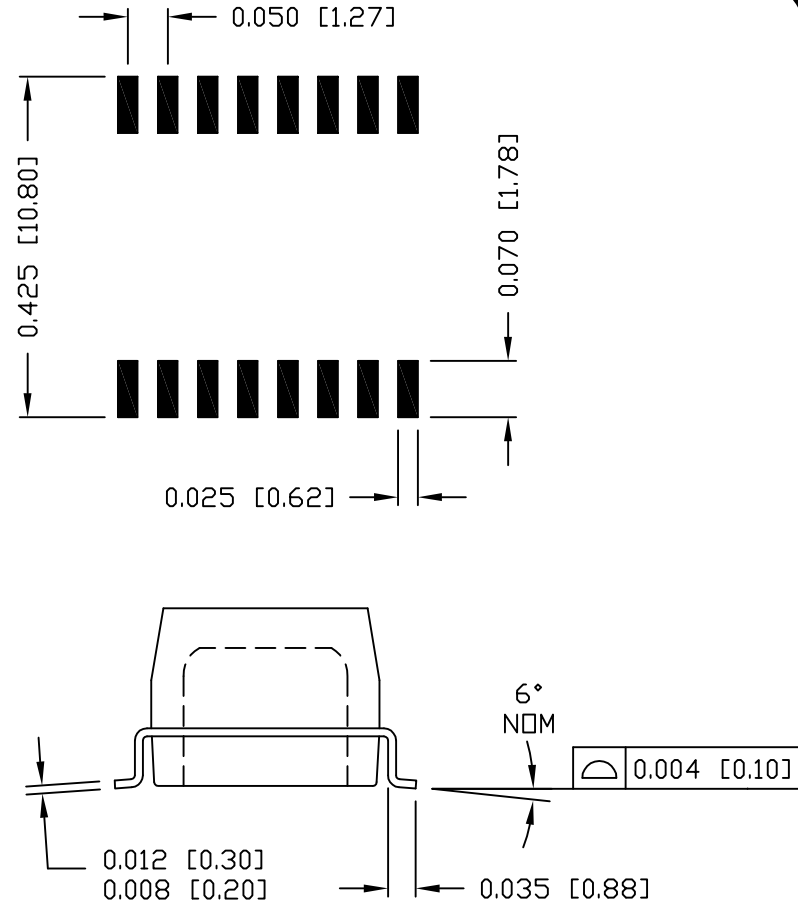
ORIGINATED BY	DATE	TITLE	PART NO. / DRAWING NO.	STANDARD DIM.	[] METRIC DIM. AS REF.
Alice Pang	2021-01-28	10/100BT MAGNETICS MODDLE S558-5999-U7-F	S558-5999-U7-F	TOL. IN INCH	UNIT : INCH [mm]
DRAWN BY	DATE		FILE NAME	.X	SCALE : N/A
ZC Guo	2021-01-28		S5585999U7FA.DWG	.XX	SIZE : A4
				.XXX	



THE INFORMATION CONTAINED HEREIN IS CONSIDERED "PROPRIETARY" TO BEL FUSE INC. AND SHALL NOT BE COPIED, REPRODUCED OR DISCLOSED WITHOUT THE WRITTEN APPROVAL OF BEL FUSE INC.



SUGGESTED PCB PAD LAYOUT



NOTES :

1. STANDARD MARKING REFER TO DOC. HAND-WORK-04.
2. PACKAGE CODE: "QBS001".
3. THIS PRODUCT HAS BEEN SUPPLYING TO JAPAN CUSTOMERS. PCN PROCESS NEEDS TO COMPLY WITH 4M CRITERIA.

REV. : A PAGE : 3

ORIGINATED BY	DATE
Lawrence Tsang	2021-01-28
DRAWN BY	DATE
ZC Guo	2021-01-28

TITLE
MECHANICAL DRAWING
S558-5999-U7-F

PART NO. / DRAWING NO.
S558-5999-U7-F
FILE NAME
S5585999U7FA.DWG

STANDARD DIM.	[] METRIC DIM. AS REF.
TOL. IN INCH	
.X	
.XX	±0.01
.XXX	±0.005

UNIT : INCH [mm]
SCALE : N/A
SIZE : A4

