

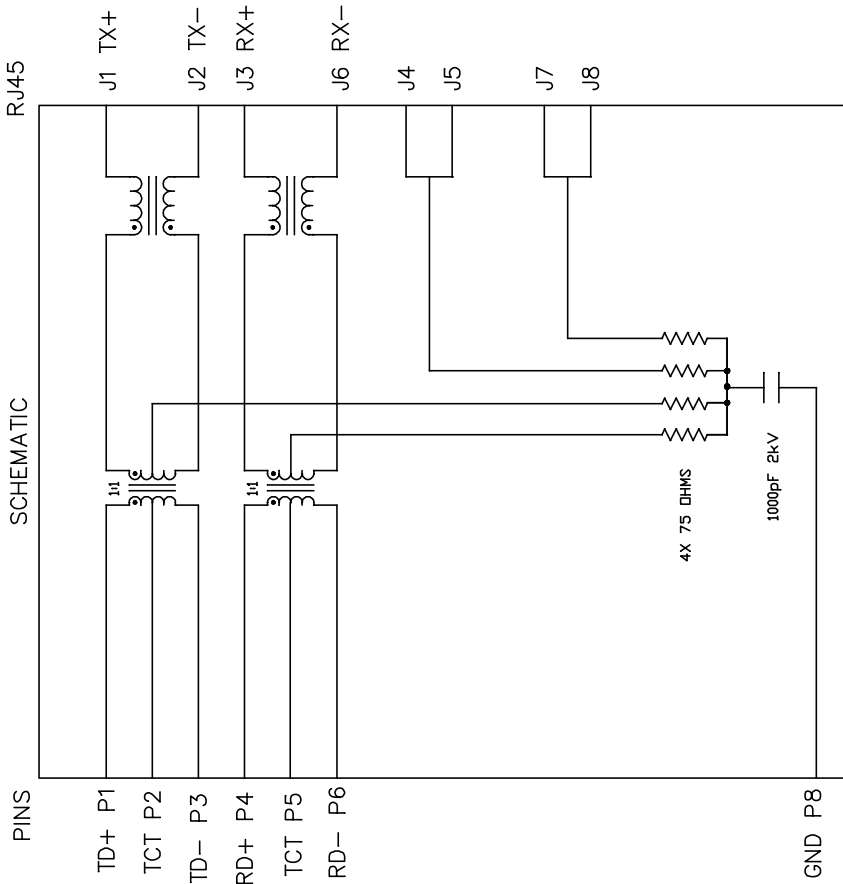
THE INFORMATION CONTAINED HEREIN IS CONSIDERED 'PROPRIETARY' TO BEL FUSE INC. AND SHALL NOT BE COPIED, REPRODUCED OR DISCLOSED WITHOUT THE WRITTEN APPROVAL OF BEL FUSE INC.

ELECTRICAL CHARACTERISTICS @ 25°C

- 1.0 TURNS RATIO: (P4-P5-P6) : (J3-J6) : 1CT : 1CT ± 3%
(P1-P2-P3) : (J1-J2) : 1CT : 1CT ± 3%
- 2.0 INDUCTANCE: (P4-P6) : 350uH MIN. @ 0.1V, 100KHZ, 8mA DC Bias
(P1-P3) : 350uH MIN. @ 0.1V, 100KHZ, 8mA DC Bias
- 3.0 LEAKAGE INDUCTANCE: P6-P4 (WITH J6 AND J3 SHORT) : 0.3uH MAX. @ 1MHZ
P1-P3 (WITH J2 AND J1 SHORT) : 0.3uH MAX. @ 1MHZ
- 4.0 INTERWINDING CAPACITANCE: (P6,P5,P4) TO (J6,J3) : 30pF MAX @ 1MHZ
(P3,P2,P1) TO (J2,J1) : 30pF MAX. @ 1MHZ
- 5.0 DC RESISTANCE: (J6-J3)=(J2-J1) : 1.35 ohms Max.
- 6.0 RETURN LOSS: (P4-P6)=100 OHMS AND (P1-P3)=100 OHMS REF.
1MHZ TO 30MHZ : -18dB MIN.
60MHZ TO 80MHZ : -12dB MIN.
- NOTE: 100 OHMS CONNECTED TO (J2-J1) OR (J6-J3).
- 7.0 DIELECTRIC WITHSTAND: (J1, J2) TO (P1, P3) : 1500 Vrms
(J3, J6) TO (P4, P6) : 1500 Vrms
- 8.0 INSERTION LOSS: RS=RL=100 ohms : -1.1 dB MAX
100KHz TO 100MHZ
- 9.0 RISE TIME: RS=100 OHMS AND RL = 100 OHMS : 3.0 nS MAX
OUTPUT VOLTAGE = 1 V peak : 3.0 nS MAX
PULSE WIDTH= 112ns
- 10.0 CROSS TALK: 1-100 MHz : -33 dB MIN
- 11.0 COMMON TO COMMON MODE ATTENUATION: 30MHZ TO 100MHZ: -35dB MIN
- 12.0 OPERATING TEMPERATURE RANGE: 0°C TO 70°C



SCHEMATIC



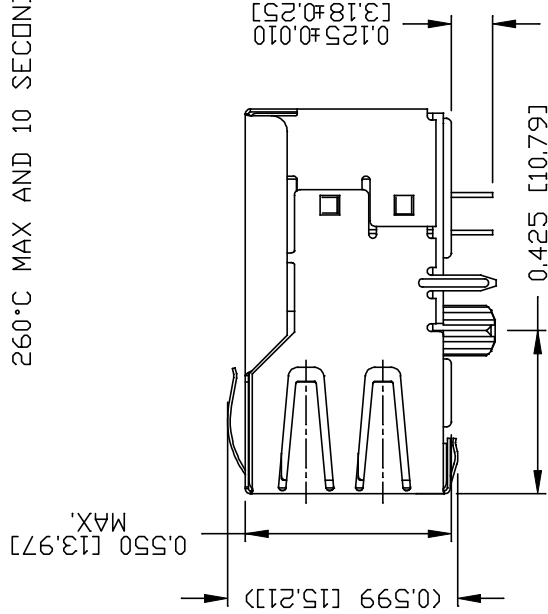
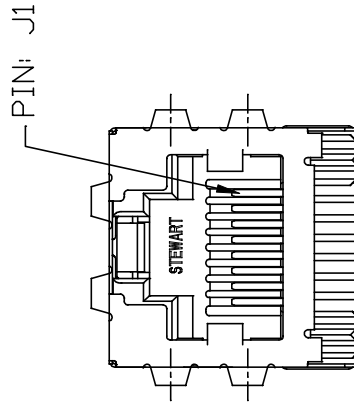
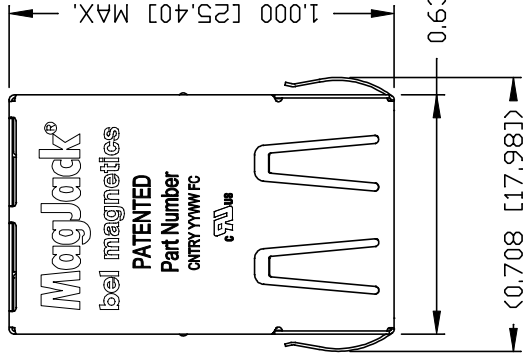
NOTES

1.0 PINS WITHOUT ELECTRICAL CONNECTION ARE OMITTED.

REV. : B PAGE : 2	
 a bel group	
STANDARD DIM. TOL. IN INCH .X .XX .XXX	STANDARD DIM. [] METRIC DIM. AS REF. UNIT : INCH [mm] SCALE : N/A SIZE : A4
PART NO. / DRAWING NO. SI-80012-F	FILE NAME SI-80012-F_B.DWG
ORIGINATED BY CHOW WANCHUNG DATE 2020-06-29 DRAWN BY XIE YIMING DATE 2020-06-29	TITLE Mo9Jack® 10/100 BT TAB UP, SHIELDED PATENTED

This document is electronically generated. This is a controlled copy if used internally

THE INFORMATION CONTAINED HEREIN IS CONSIDERED "PROPRIETARY" TO BEL FUSE, INC. AND SHALL NOT BE COPIED, REPRODUCED OR DISCLOSED WITHOUT THE WRITTEN APPROVAL OF BEL FUSE, INC.



NOTES:

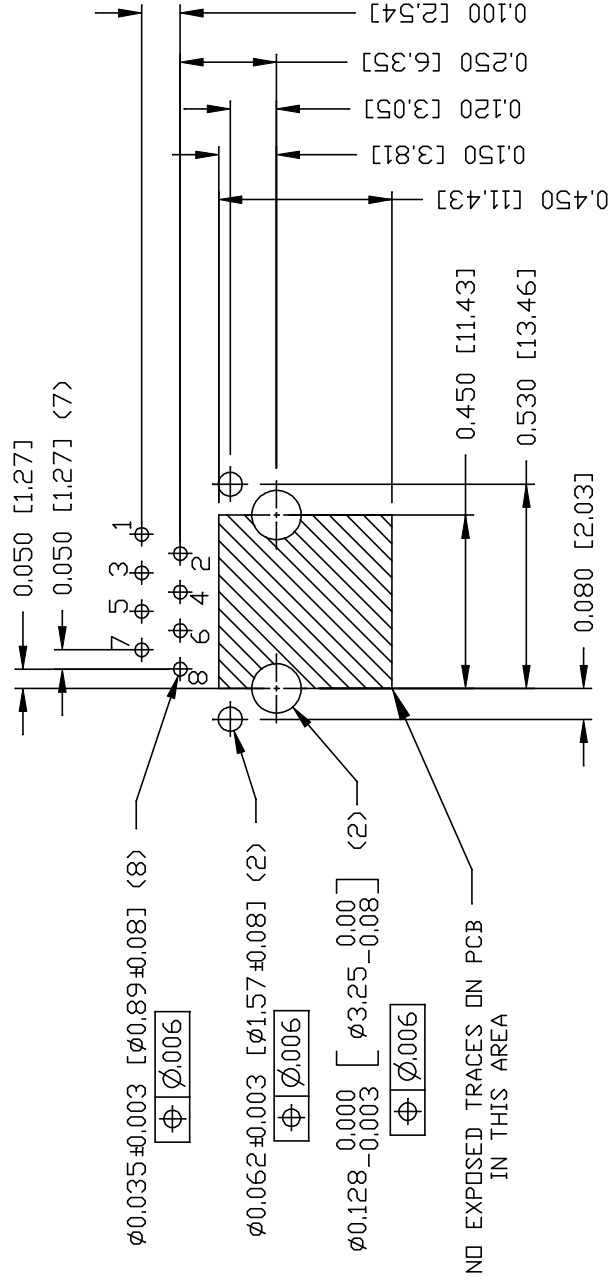
- CONNECTOR MATERIALS:
HOUSING: THERMOPLASTIC UL94 V-0
CONTACT/SHIELD: COPPER ALLOY
SHIELD PLATING: NICKEL OR TIN
CONTACT PLATING: SELECTIVE GOLD IN CONTACT AREA.
- PIN NOT ELECTRICALLY CONNECTED MAYBE OMITTED.
SEE ELECTRICAL DRAWING FOR OMITTED PINS.
- TOLERANCES COMPLY WITH F.C.C. DIMENSION REQUIREMENTS.
- THE PRODUCT IS RoHS COMPLIANT.
UL is UL RECOGNIZED - FILE #E474585.
- THE PART IS RECOMMENDED FOR WAVE SOLDERING.
THE SUGGESTED PEAK WAVE SOLDERING CONDITION IS 260°C MAX AND 10 SECONDS MAX.



ORIGINATED BY SANDY LIN	TITLE MagJack® 10/100 BT	PART NO. / DRAWING NO. SI-80012-F	STANDARD DIM. TOL. IN INCH	[] METRIC DIM. AS REF.	REV. : B	PAGE : 3
DATE 2020-06-29	TAB UP, SHIELDED PATENTED	FILE NAME SI-80012-F_B.DWG	.X	UNIT : INCH [mm]	SCALE : N/A	SIZE : A4
DRAWN BY RUAN WENJUN			.XX	SCALE : N/A		
DATE 2020-06-29			.XXX ±0.005		 bel MAGNETIC SOLUTIONS a bel group	

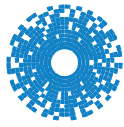
This document is electronically generated. This is a controlled copy if used internally

THE INFORMATION CONTAINED HEREIN IS CONSIDERED "PROPRIETARY" TO BEL FUSE INC. AND SHALL NOT BE COPIED, REPRODUCED OR DISCLOSED WITHOUT THE WRITTEN APPROVAL OF BEL FUSE INC.



P.C.B. RECOMMENDED HOLE LAYOUT
SEEN FROM COMPONENT SIDE

ALL CENTERLINE DIMENSIONS ARE BASIC

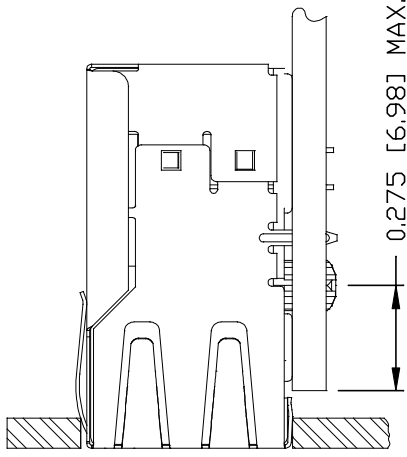
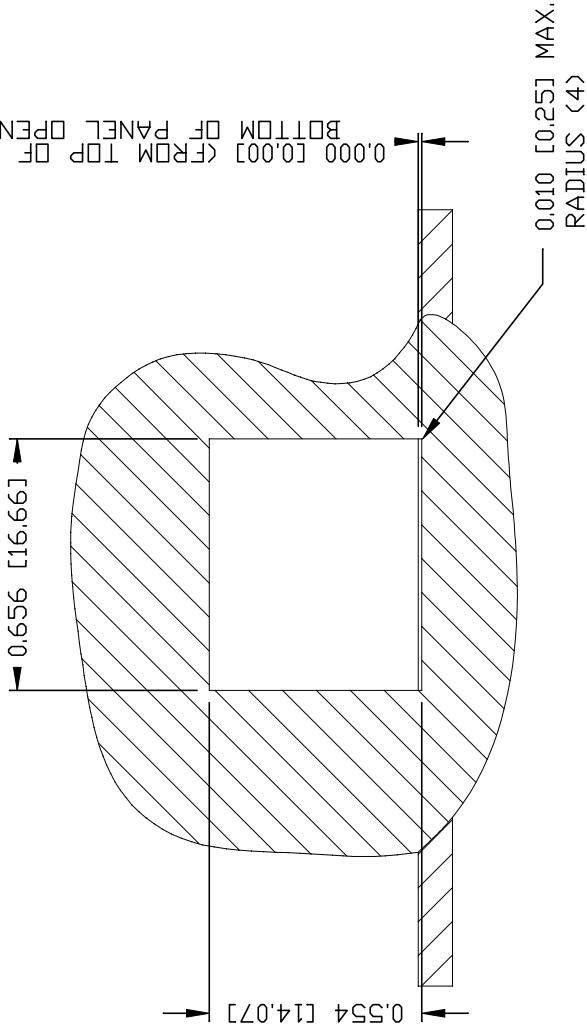
REV. : B PAGE : 4	
 bel a bel group	
ORIGINATED BY SANDY LIN DATE 2020-06-29	PART NO. / DRAWING NO. SI-80012-F
DRAWN BY RUAN WENJUN DATE 2020-06-29	STANDARD DIM. TOL. IN INCH .X .XX .XXX
TITLE MagJack® 10/100 BT TAB UP, SHIELDED PATENTED	[] METRIC DIM. AS REF. UNIT : INCH [mm] SCALE : N/A SIZE : A4

This document is electronically generated. This is a controlled copy if used internally

THE INFORMATION CONTAINED HEREIN IS CONSIDERED 'PROPRIETARY' TO BEL FUSE, INC. AND SHALL NOT BE COPIED, REPRODUCED OR DISCLOSED WITHOUT THE WRITTEN APPROVAL OF BEL FUSE, INC.



0.000 [0.00] (FROM TOP OF PCB TO BOTTOM OF PANEL OPENING)



SUGGESTED PANEL OPENING

NOTES:



THE SUGGESTED PANEL OPENING IS INTENDED TO GIVE THE USER THE ABILITY TO HAVE REASONABLE JACK / PANEL CLEARANCES YET MAINTAIN RELIABLE GROUNDING CAPABILITY.

ORIGINATED BY
SANDY LIN
DATE 2020-06-29
DRAWN BY
RUAN WENJUN
DATE 2020-06-29

TITLE
MAGJACK®
10/100 BT
TAB UP, SHIELDED
PATENTED

PART NO. / DRAWING NO.
SI-80012-F
FILE NAME
SI-80012-F_B.DWG

STANDARD DIM. TOL. IN INCH	[] METRIC DIM. AS REF.
.X	UNIT : INCH [mm]
.XX	SCALE : N/A
.XXX	SIZE : A4

REV. : B	PAGE : 5
 a bel group	
	

This document is electronically generated. This is a controlled copy if used internally