

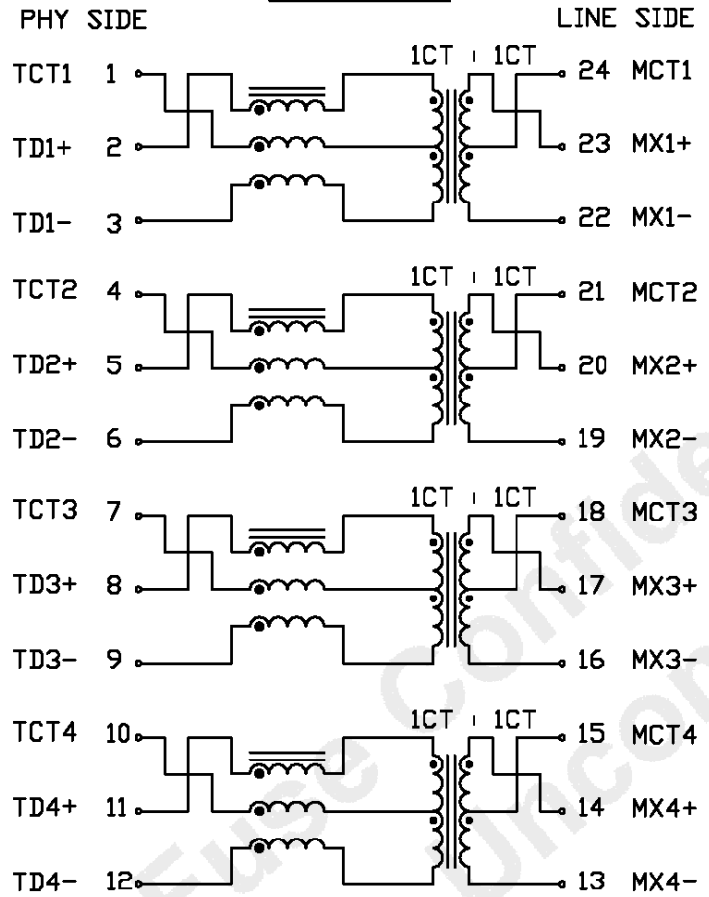
THE INFORMATION CONTAINED HEREIN IS CONSIDERED "PROPRIETARY" TO BEL FUSE INC. AND SHALL NOT BE COPIED, REPRODUCED OR DISCLOSED WITHOUT THE WRITTEN APPROVAL OF BEL FUSE INC.

RoHS



ELECTRICAL CHARACTERISTICS @25°C

SCHEMATIC



TURNS RATIO
 (2-1-3) : (23-24-22) 1CT : 1CT ±2%
 (5-4-6) : (20-21-19) 1CT : 1CT ±2%
 (8-7-9) : (17-18-16) 1CT : 1CT ±2%
 (11-10-12) : (14-15-13) 1CT : 1CT ±2%

POLARITY PER DOT CONVENTION

OCL 100kHz, 100mV
 -40°C TO 85°C 180µH MIN WITH 8mA DC BIAS
 -40°C TO 85°C 120µH MIN WITH 23mA DC BIAS

INTERWINDING CAPACITANCE, C_w @1MHz, 20mV
 30pF MAX

PARAMETER	MAGNITUDE (IN dB)	FREQUENCY (IN MHZ)	
		START	END
INSERTION LOSS	SDD12, SDD21	-0.004<F/40MHz>-0.4 MAX	1 150
RETURN LOSS	SDD11, SDD22	-20 MIN	1 40
		-20+15LOG<F/40MHz> MIN	40 150
ALIEN NEAR END CROSSTALK	SDDXY'	-46+7LOG<F/125MHz> MIN	1 150
NEAR END CROSSTALK	SDDXY	-35 MIN	1 40
		-35+15LOG<F/40MHz> MIN	40 150
MODE CONVERSION	SDDC12	-35 MIN	1 40
		-35+17LOG<F/40MHz> MIN	40 150
	SDDC21	-30 MIN	1 40
COMMON MODE REJECTION	SCC21	-30+11LOG<F/40MHz> MIN	40 150
		-25 MIN	1 150

BALANCED DC LINE CURRENT 1A MAX @57VDC CONTINUOUS

HIPOT LEAKAGE CURRENT LESS THAN 1mA AT 1500VAC

DESIGNED FOR USE IN 1G/2.5G 802.3BT APPLICATIONS.

ORIGINATED BY DATE TITLE
 Alice Pang 2020-06-30
 DRAWN BY DATE
 ZC Guo 2020-06-30

TITLE
 ELECTRICAL SPECIFICATION

PART NO. / DRAWING NO.
 S558-5500-JB
 FILE NAME
 S5585500JBB.DWGC

STANDARD DIM. [] METRIC DIM. AS REF.
 TOL. IN INCH
 .X
 .XX
 .XXX

UNIT : INCH [mm]
 SCALE : N/A
 SIZE : A4

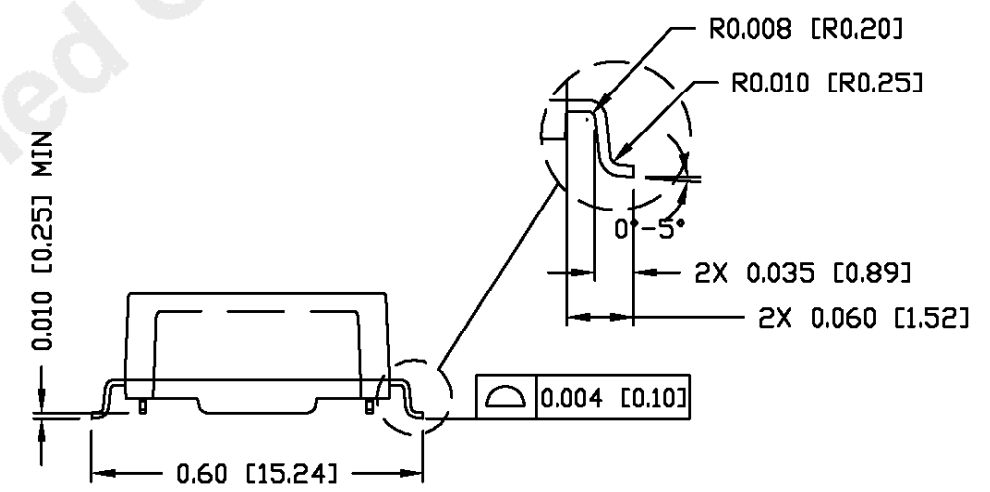
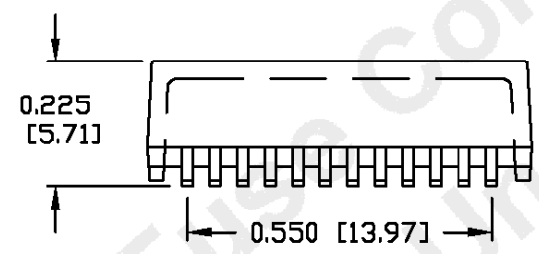
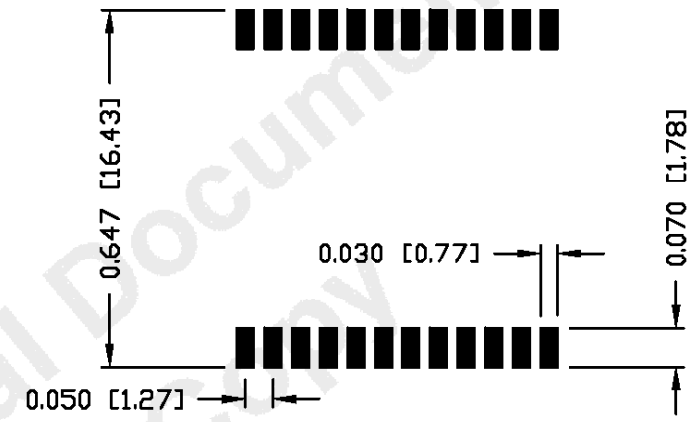
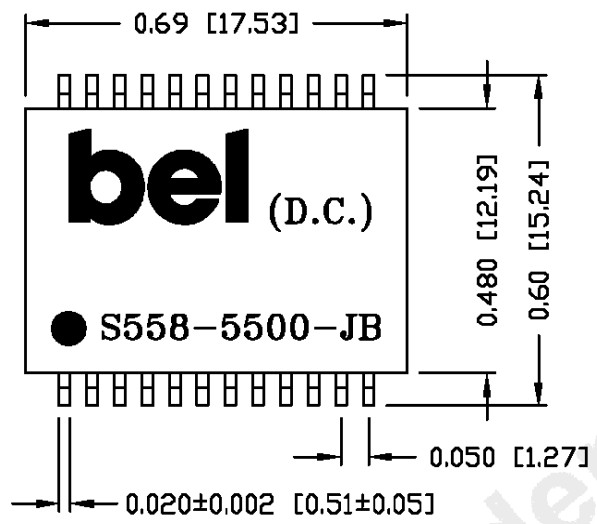
REV. : B PAGE : 2



THE INFORMATION CONTAINED HEREIN IS CONSIDERED 'PROPRIETARY' TO BEL FUSE INC. AND SHALL NOT BE COPIED, REPRODUCED OR DISCLOSED WITHOUT THE WRITTEN APPROVAL OF BEL FUSE INC.



SUGGESTED PCB PAD LAYOUT



NOTES:

- STANDARD MARKING REFER TO DOC. HAND-WORK-04.
- PACKAGE CODE: "RQS001".

ORIGINATED BY DATE		TITLE MECHANICAL OUTLINE	PART NO. / DRAWING NO.		STANDARD DIM. [] METRIC DIM. AS REF.		REV. : A	PAGE : 3
Lawrence Tsang 2020-06-05			S558-5500-JB		TOL. IN INCH			
DRAWN BY DATE			FILE NAME		UNIT : INCH [mm]			
ZC Guo 2020-06-05		S5585500JBA.DWGC		.X / .XX / .XXX		SCALE : N/A		 POWER PROTECT CONNECT
				±0.01 / ±0.005		SIZE : A4		