

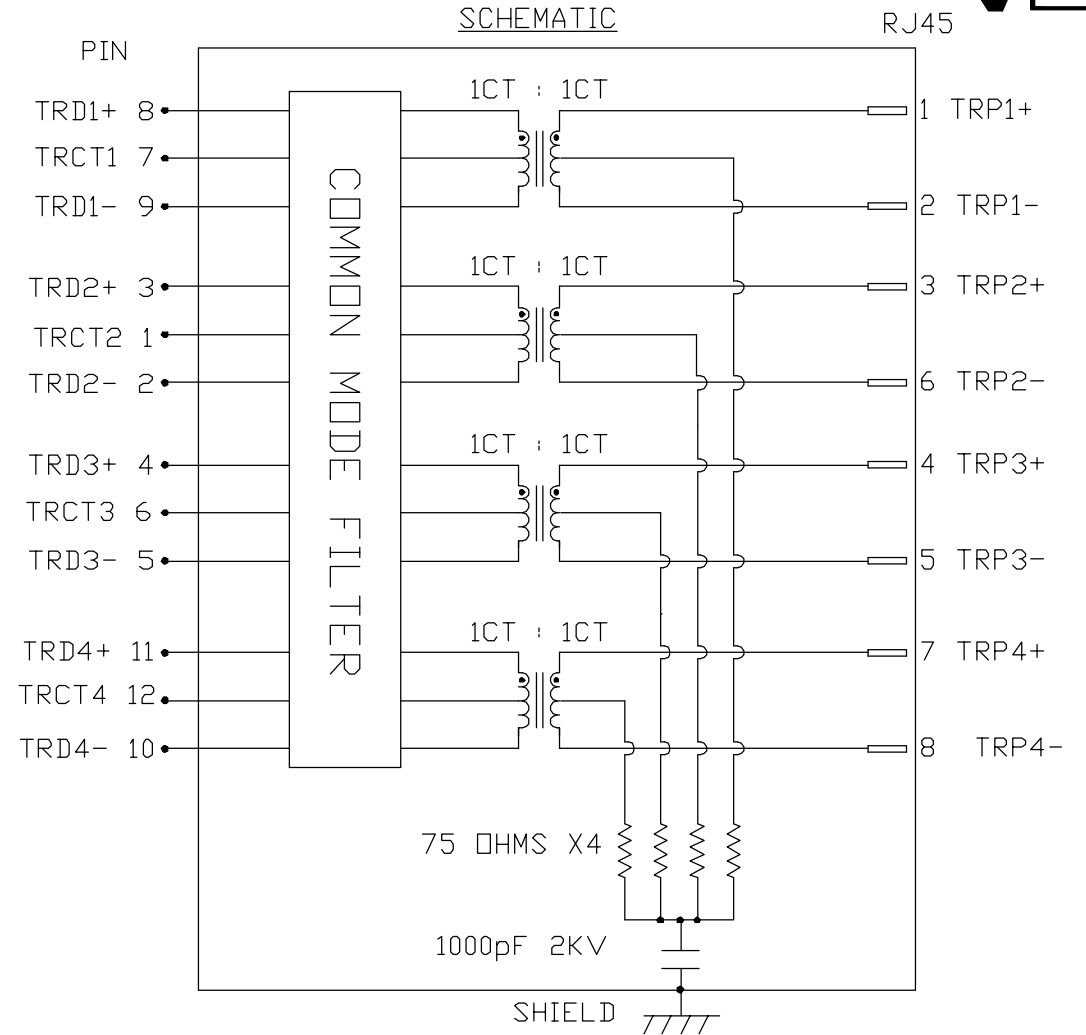
THE INFORMATION CONTAINED HEREIN IS CONSIDERED "PROPRIETARY" TO BEL FUSE INC. AND SHALL NOT BE COPIED, REPRODUCED OR DISCLOSED WITHOUT THE WRITTEN APPROVAL OF BEL FUSE INC.

PRELIMINARY



ELECTRICAL CHARACTERISTICS @ 25°C

<p> URNS RATIO TP1 1CT : 1CT TP2 1CT : 1CT TP3 1CT : 1CT TP4 1CT : 1CT INS. LOSS (MAX) 1MHz TO 20MHz -0.8 dB 50MHz -1.0 dB 200MHz -1.2 dB 400MHz -2.0 dB 500MHz -3.0 dB RET. LOSS (MIN) 1MHz - 40MHz -16 dB 40MHz - 400 MHz -16+10LOG (F/40) dB 400MHz - 500 MHz -6+30LOG (F/400) dB CM TO CM REJ 1MHz - 500MHz -30 dB MIN CM TO DM REJ 1MHz - 500MHz -30 dB MIN HIPOT (Isolation Voltage): 2250VDC 100% OF PRODUCTION TESTED TO COMPLY WITH IEEE 802.3 ISOLATION REQUIREMENTS. OPERATING TEMPERATURE: 0°C TO +85°C </p>	
---	--



ORIGINATED BY
 CHOW WANCHUNG
DATE 2023-08-04

DRAWN BY
 YI LIU
DATE 2023-08-04

TITLE
 1X2 10 Gigabit MagJack®
 (ULTRA LOW PROFILE)
 PATENTED

PART NO. / DRAWING NO.
 G54-2NNC-143E-L

FILE NAME
 G54-2NNC-143E-L_1.DWG

STANDARD DIM.	[] METRIC DIM.
TOL. IN INCH	AS REF.
.X	UNIT : INCH [mm]
.XX	SCALE : N/A
.XXX	SIZE : A4

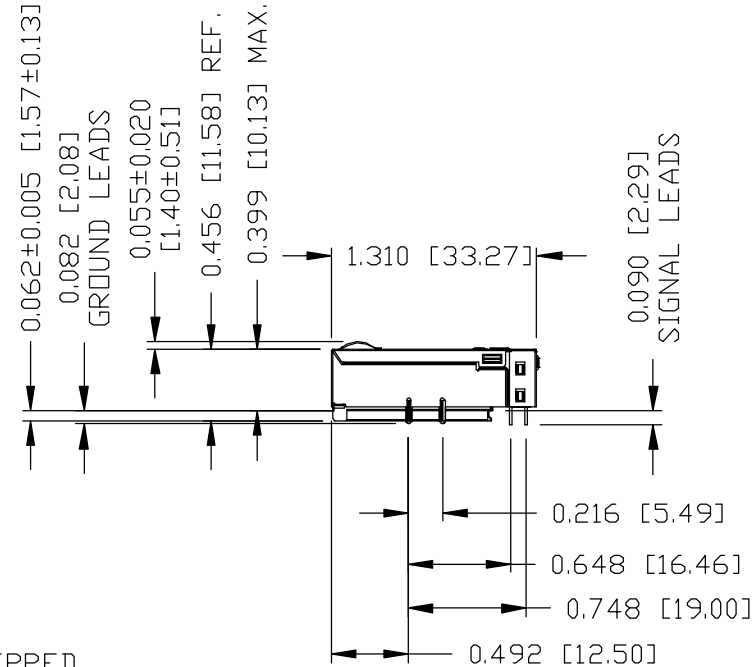
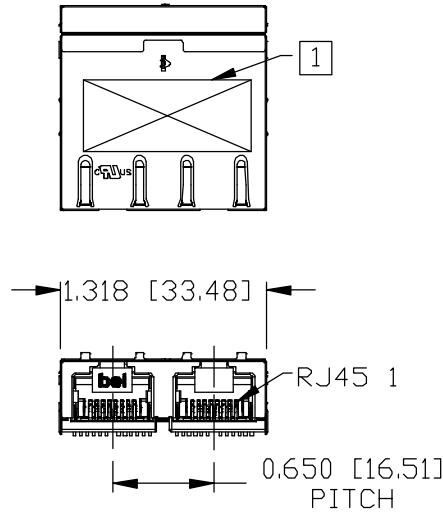
REV. : 1 PAGE : 2



THE INFORMATION CONTAINED HEREIN IS CONSIDERED "PROPRIETARY" TO BEL FUSE INC. AND SHALL NOT BE COPIED, REPRODUCED OR DISCLOSED WITHOUT THE WRITTEN APPROVAL OF BEL FUSE INC.

MECHANICAL SPECIFICATION

PRELIMINARY



NOTES:
 PLASTIC HOUSING: THERMOPLASTIC PA, BLACK
 FLAMMABILITY RATING UL 94V-0
 CONTACTS: 50 MICRO-INCH HARD GOLD PLATING OR EQUIVALENT.
 OUTPUT PINS: TIN-COATED COPPER WIRE, DIA 0.018 INCH.
 100 MICRO-INCH MIN MATTE TIN. PINS ARE SOLDER DIPPED.
 METAL SHIELD: STAINLESS STEEL
 (ALL GROUND LEADS ARE SOLDER DIPPED)

1. MARK PART WITH PART NUMBER, DATE CODE AND "PATENTED" MARKING. THE PRODUCT IS PATENTED. THE PATENT NUMBER ARE U.S. PAT. 7,123,117 & U.S. PAT. 6,840,817 & U.S. PAT. 7,429,195 AND U.S. PAT. 7,924,130.
 2. THE PRODUCT IS RoHS COMPLIANT WITH HALOGEN FREE.

3. JACK CAVITY CONFORMS TO FCC RULES AND REGULATIONS, PART 68 SUBPART F.
 4. THE PART IS RECOMMENDED FOR WAVE SOLDERING. THE SUGGESTED PEAK WAVE SOLDERING CONDITION IS 260°C MAX. AND 10 SECONDS MAX..

UL US UL RECOGNIZED - FILE #E169987.

ORIGINATED BY TONY YUAN DATE 2023-08-04		TITLE 1X2 10 Gigabit MagJack® (ULTRA LOW PROFILE) PATENTED		PART NO. / DRAWING NO. G54-2NNC-143E-L		STANDARD DIM. TOL. IN INCH		[] METRIC DIM. AS REF.		REV. : 1	PAGE : 3
DRAWN BY TOWER YU DATE 2023-08-04				FILE NAME G54-2NNC-143E-L_1.DWG		.X		UNIT : INCH [mm]			
						.XX		SCALE : N/A			
						.XXX ±0.010		SIZE : A4			

THE INFORMATION CONTAINED HEREIN IS CONSIDERED "PROPRIETARY" TO BEL FUSE INC. AND SHALL NOT BE COPIED, REPRODUCED OR DISCLOSED WITHOUT THE WRITTEN APPROVAL OF BEL FUSE INC.

PRELIMINARY

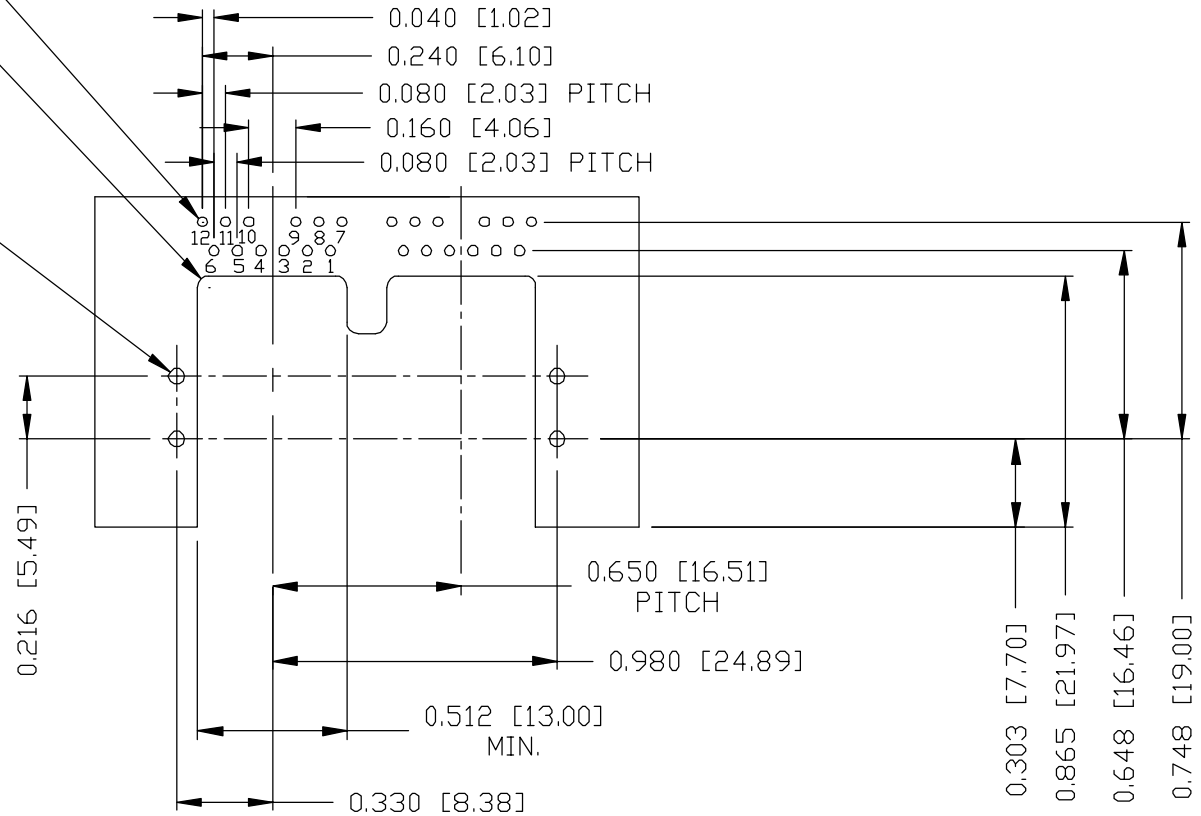


RECOMMENDED PCB FOOTPRINT
COMPONENT SIDE VIEW

24X ϕ 0.035^{+0.005}/_{-0.000} [ϕ 0.89^{+0.13}/_{-0.00}]

6XR0.039 [R0.99]

4X ϕ 0.055 [ϕ 1.40]



ORIGINATED BY
TONY YUAN
DATE 2023-08-04
DRAWN BY
TOWER YU
DATE 2023-08-04

TITLE
1X2 10 Gigabit MagJack[®]
(ULTRA LOW PROFILE)
PATENTED

PART NO. / DRAWING NO.
G54-2NNC-143E-L
FILE NAME
G54-2NNC-143E-L_1.DWG

STANDARD DIM. TOL. IN INCH	[] METRIC DIM. AS REF.
.X	UNIT : INCH [mm]
.XX	SCALE : N/A
.XXX ±0.004	SIZE : A4

REV. : 1 PAGE : 4

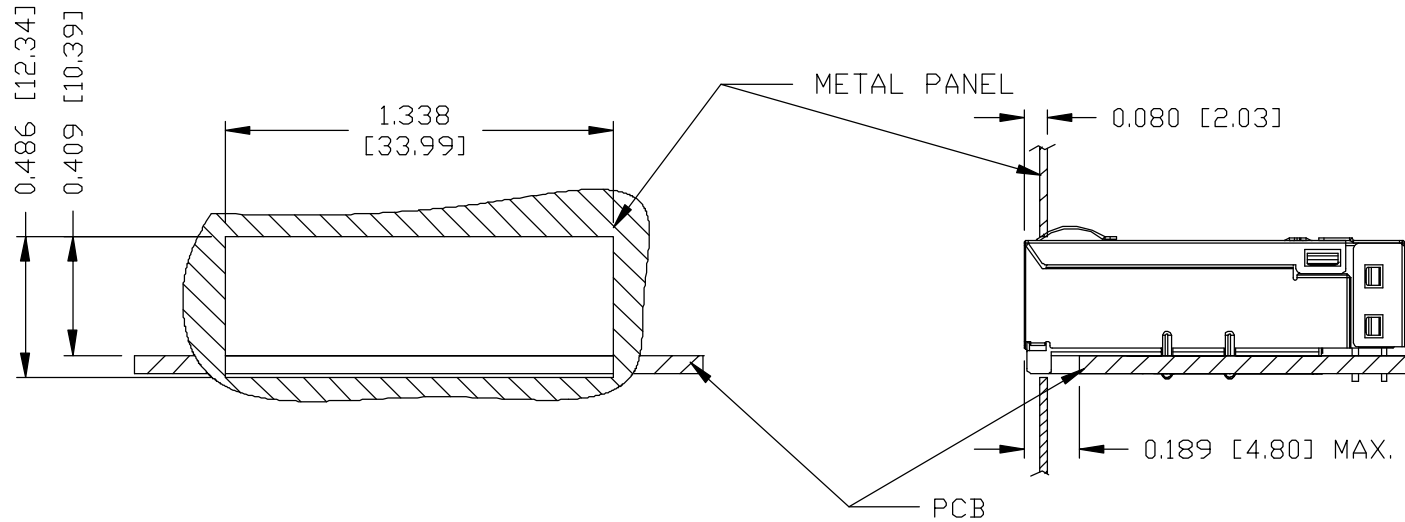


THE INFORMATION CONTAINED HEREIN IS CONSIDERED "PROPRIETARY" TO BEL FUSE INC. AND SHALL NOT BE COPIED, REPRODUCED OR DISCLOSED WITHOUT THE WRITTEN APPROVAL OF BEL FUSE INC.

PRELIMINARY



SUGGESTED PANEL OPENING



NOTES:

THE DISTANCE OF PANEL INSIDE SURFACE RELATIVE TO FRONT SURFACE OF PART IS ONLY A SUGGESTION. IN CASE THIS DISTANCE IS DIFFERENT, THE REQUIRED PANEL OPENING DIMENSIONS CHANGE ACCORDINGLY.

PACKING INFORMATION

PACKING TRAY : 0200M9999-S9 (TOP)
0200M9999-S8 (BOTTOM)

PACKING QUANTITY : 24 PCS FINISHED GOODS PER TRAY
11 TRAYS (264 PCS FINISHED GOODS) PER CARTON BOX

REMARK: CARDBOARDS ARE PLACED BETWEEN LAYERS OF PACKING TRAY INSIDE CARTON BOX
(INCLUDE THE UPPERMOST AND LOWERMOST TRAY)

REV. :	1	PAGE :	5
--------	---	--------	---

ORIGINATED BY TONY YUAN DATE 2023-08-04 DRAWN BY TOWER YU DATE 2023-08-04	TITLE 1X2 10 Gigabit MagJack® (ULTRA LOW PROFILE) PATENTED	PART NO. / DRAWING NO. G54-2NNC-143E-L	STANDARD DIM. TOL. IN INCH .X	<input type="checkbox"/> METRIC DIM. AS REF.
		FILE NAME G54-2NNC-143E-L_1.DWG	.XX	UNIT : INCH [mm]
			.XXX ±0.005	SCALE : N/A <input type="checkbox"/> SIZE : A4

