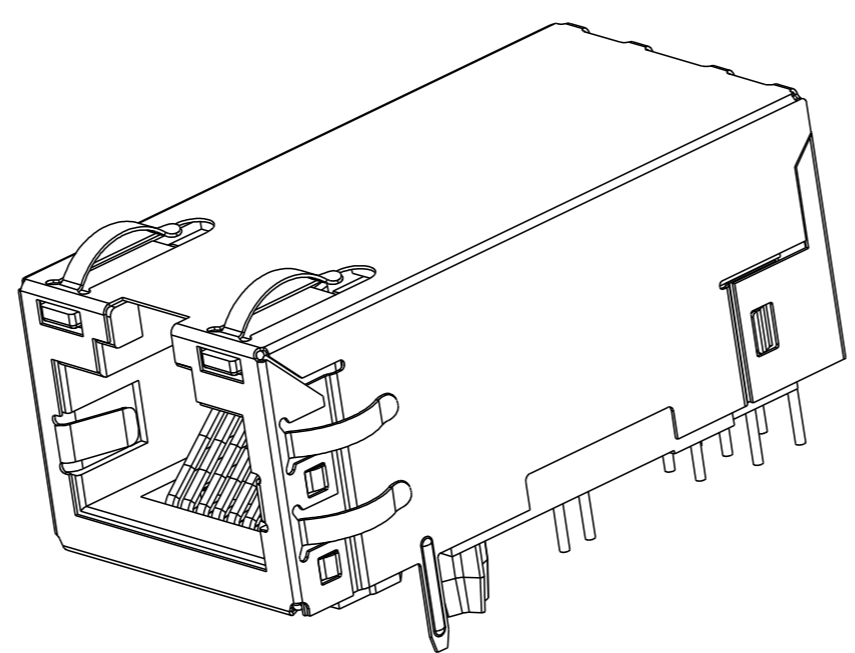
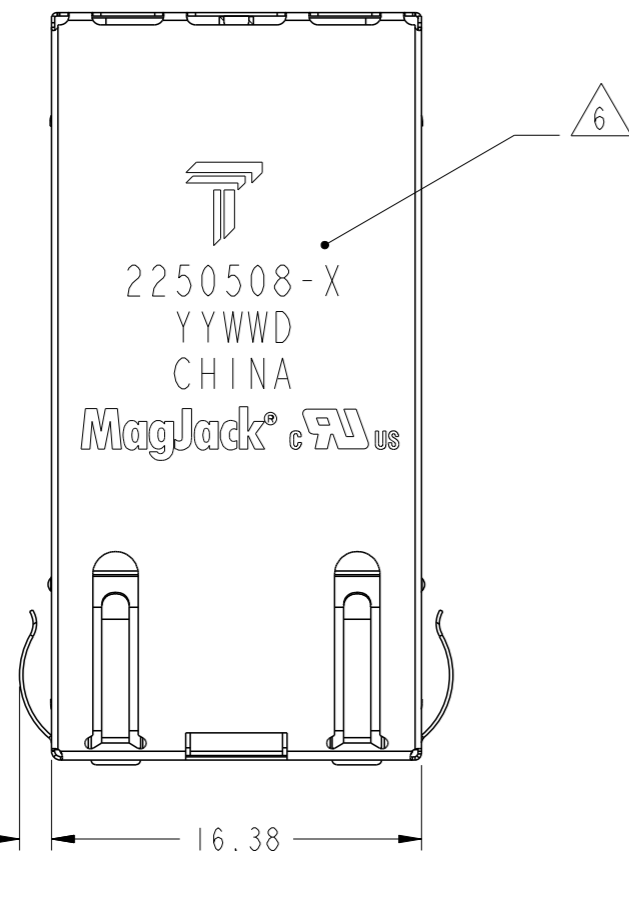


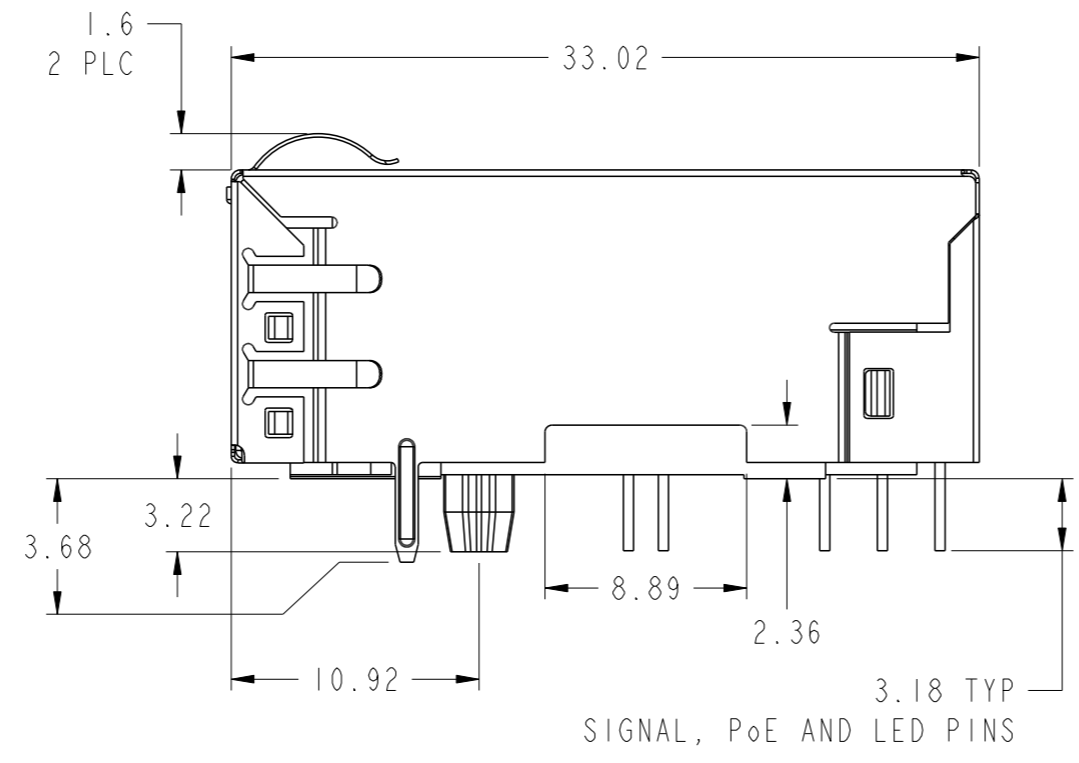
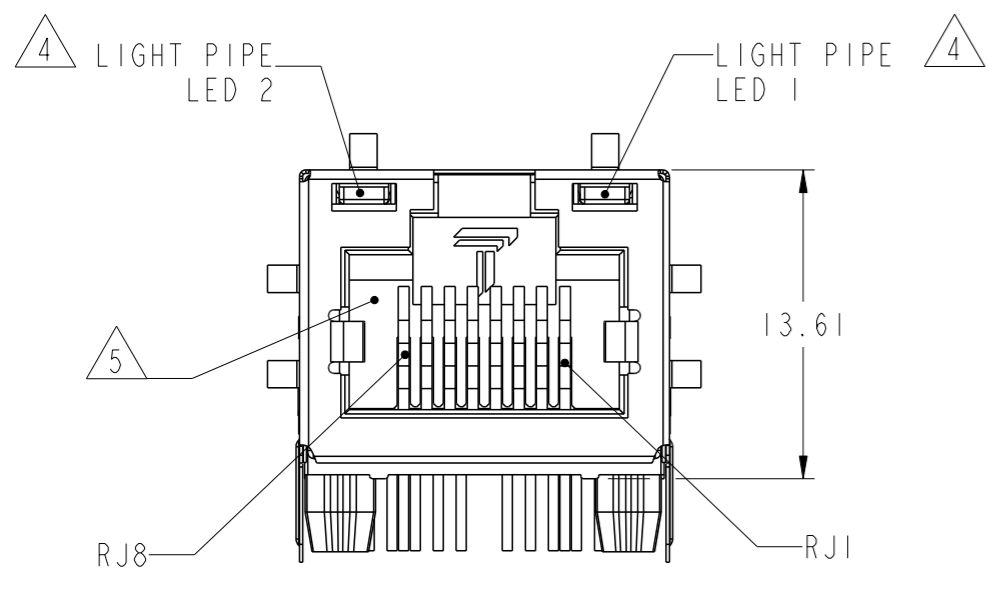
THIS DRAWING AND THE SUBJECT MATTER SHOWN THEREON ARE CONFIDENTIAL AND THE PROPERTY OF BEL/STEWART/TRP CONNECTOR AND SHALL NOT BE REPRODUCED, COPIED, OR USED IN ANY MANNER WITHOUT THE WRITTEN CONSENT OF TRP CONNECTOR.

PRODUCT MAY BE PROTECTED BY ONE OR MORE OF THE FOLLOWING US PATENTS:  
 5736910 5939955 6425781 6428361 6554638 6840817 7123117  
 7429195 7717749 7808751 6217391 6149050 7924130

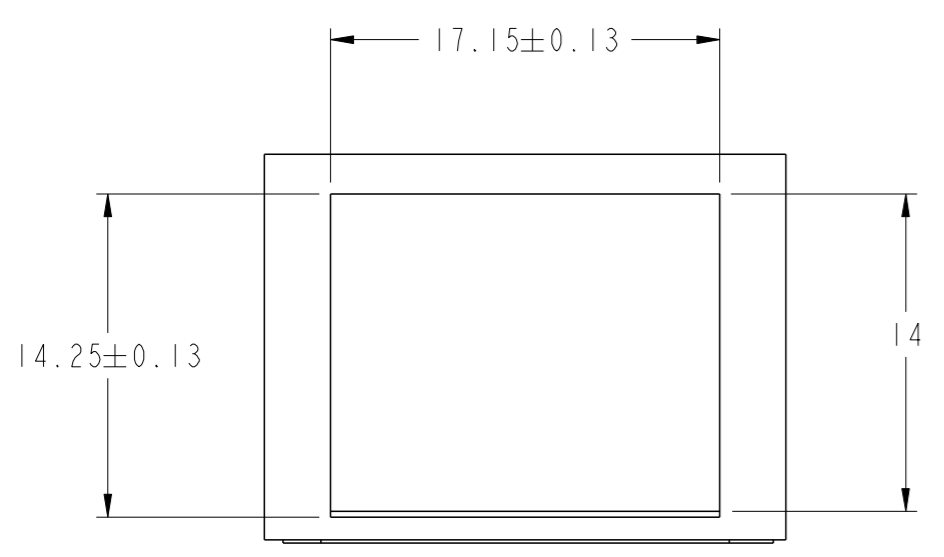
REVISIONS				
P	LTR	DESCRIPTION	DATE	APVD
3		SEE LAST SHEET	21FEB2020	TRY TY



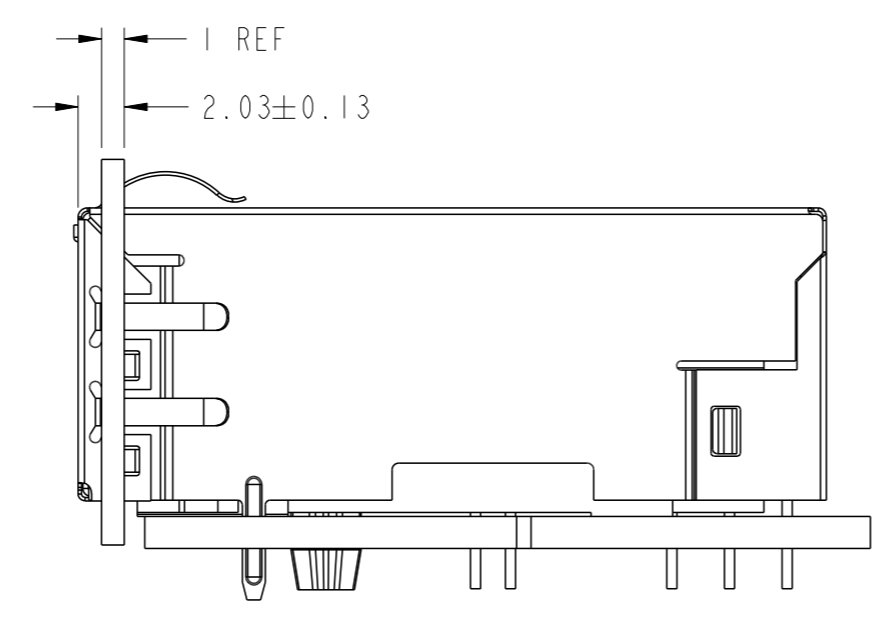
1. MATERIALS  
 HOUSING: THERMOPLASTIC, BLACK, FLAMMABILITY RATING UL 94V-0  
 SHIELD: STAINLESS STEEL, 0.15mm THICK, PREPLATED WITH MIN 0.76μm SEMI-BRIGHT NICKEL POST DIPPED WITH 2.54μm MIN SAC SOLDER AT GROUND PINS.  
 CONTACT: PHOSPHOR BRONZE, 0.46mmX0.30mm WITH 1.27μm MIN OVERALL NICKEL UNDERPLATE AND SELECTIVE 1.27μm MIN GOLD PLATING AT MATING INTERFACE.  
 SOLDER TAIL(LED AND SIGNAL): Ø0.45mm COPPER PLATED STEEL, PLATED WITH 2.54μm MIN TIN.
2. MAGNETICS  
 -APPLICATION: 10G BASE-T 4PPoE EXTENDED TEMPERATURE  
 -IMPEDANCE: 100 OHMS  
 -TURNS RATIO (CHIP:CABLE): 1:1 ALL FOUR PAIRS  
 -OPEN CIRCUIT INDUCTANCE (OCL): ALL CHANNELS  
 160uH MIN @100kHz, 0.1VRMS, 8mA DC BIAS FROM -40°C TO 85°C,  
 120uH MIN @100kHz, 0.1VRMS, 23mA DC BIAS FROM -40°C TO 85°C.  
 -ALL FOUR PAIRS BI-DIRECTIONAL  
 -PoE CURRENT: 1A DC MAX  
 -PERFORMANCE @ 25°C: PLEASE REFER TO SEPARATE SHEET  
 -ISOLATION VOLTAGE: 2250VDC FOR 60 SECONDS WITH A RISE TIME OF 500V/SEC.
3. OPERATING TEMPERATURE: -40°C TO 85°C



4. LIGHT PIPES ARE USED TO TRANSMIT LIGHT OF LED. LEDS ARE DRIVEN WITH CONSTANT CURRENT AT APPROX 20mA.  
 LED COLOR: DOMINANT WAVELENGTH (λ D): GREEN 567nm TYP. at IF=20mA  
 FORWARD VOLTAGE (VF): GREEN 2.2V TYP. at IF=20mA  
 DOMINANT WAVELENGTH (λ D): YELLOW 587nm TYP. at IF=20mA  
 FORWARD VOLTAGE (VF): YELLOW 2.1V TYP. at IF=20mA  
 DOMINANT WAVELENGTH (λ D): ORANGE 605 nm TYP @ IF=20 mA  
 FORWARD VOLTAGE (VF): ORANGE 2.1V TYP @ IF=20 mA
5. RJ45 CAVITY CONFORMS TO FCC RULES AND REGULATION PART 68 SUBPART F.
6. TRP CONNECTOR LOGO, PART NUMBER, DATE CODE, COUNTRY OF ORIGIN, AGENCY APPROVAL MARKING IN APPROPRIATE LOCATION SHOWN. DATE CODE: YYWW "YY" IS YEAR, "WW" IS WORK WEEK, "D" IS DAY OF WEEK, WITH SUNDAY=1.
7. PART SHOULD BE RECOMMENDED FOR WAVE SOLDERING PROCESS, PEAK WAVE SOLDERING TEMPERATURE IS 260°C, 10 SECOND MAX.



SUGGESTED PANEL CUTOUT



CONNECTOR ASSEMBLED TO PANEL AND PCB

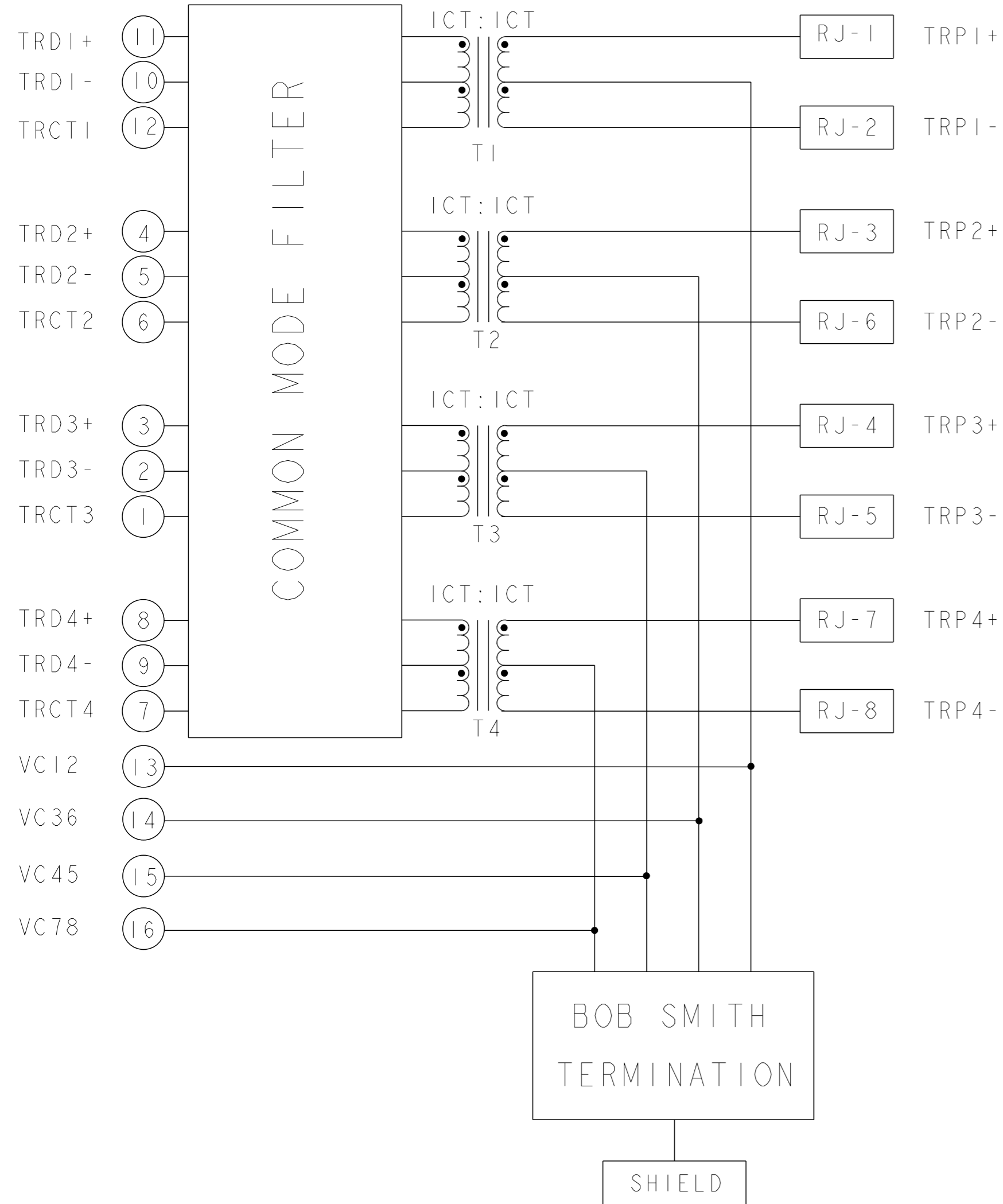
THIS DRAWING IS A CONTROLLED DOCUMENT, AND COMPLIANT TO ASME Y14.5M

DIMENSIONS:	TOLERANCES UNLESS OTHERWISE SPECIFIED:
mm	0 PLC ±
	1 PLC ±0.25
	2 PLC ±0.25
	3 PLC ±0.25
	4 PLC ±
PRODUCT SPEC	ANGLES ±
	APPLICATION SPEC
108-104004	-

YELLOW	GREEN	YELLOW	GREEN	2250508-2
ORANGE	GREEN	-	YELLOW	2250508-1
20	19	18	17	PART NUMBER
LED 2	LED 1			

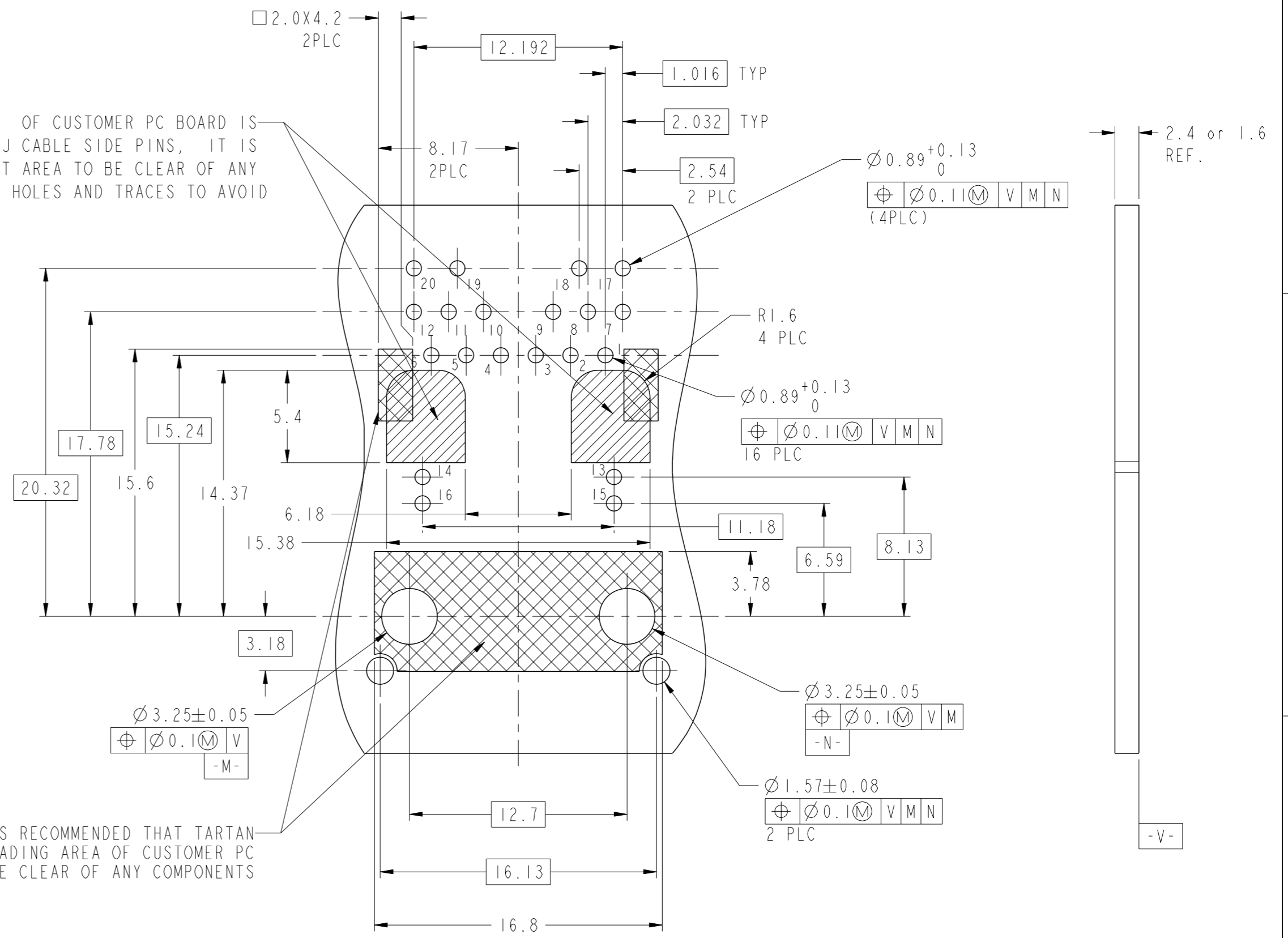
DWN	19APR2017	<b>trp</b> CONNECTOR a bel group DONGGUAN CHINA
CHK	19APR2017	
APVD	19APR2017	MODEL NAME <b>MAGJACK SINGLE 4PPOE</b>
DESC <b>1X1 7UTG01ET 10G 4PPoE 100W EXTENDED TEMPERATUR TAB UP, W/ LEDS</b>		SIZE <b>A2</b>
DRAWING NO <b>C-2250508</b>		RESTRICTED TO -
CUSTOMER DRAWING		SCALE NTS SHEET 1 OF 3 REV 3

# 7UTG01ET 10G BASE-T 100W CIRCUIT

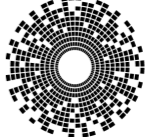
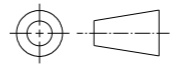


THE SHADED AREA OF CUSTOMER PC BOARD IS EQUIVALENT TO RJ CABLE SIDE PINS, IT IS RECOMMENDED THAT AREA TO BE CLEAR OF ANY COMPONENTS, VIA HOLES AND TRACES TO AVOID HI-POT FAILURE

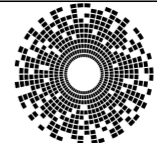
IT IS RECOMMENDED THAT TARTAN SHADING AREA OF CUSTOMER PC BOARD BE CLEAR OF ANY COMPONENTS



SUGGESTED PCB FOOTPRINT COMPONENT SIDE

THIS DRAWING IS A CONTROLLED DOCUMENT, AND COMPLIANT TO ASME Y14.5M		DWN: 19APR2017 TOWER YU / XENIA WANG	 <b>trp</b> CONNECTOR a bel group DONGGUAN CHINA
DIMENSIONS: mm		CHK: 19APR2017 BILL LIU	
		APVD: 19APR2017 TONY YUAN	DESC: IXI 7UTG01ET 10G 4PPoE 100W EXTENDED TEMPERATUR TAB UP, W/ LEDS
TOLERANCES UNLESS OTHERWISE SPECIFIED:		MODEL NAME: MAGJACK SINGLE 4PPOE	SIZE: A2
0 PLC ± 1 PLC ±0.25 2 PLC ±0.25 3 PLC ±0.25 4 PLC ± ANGLES ± APPLICATION SPEC		RESTRICTED TO: -	DRAWING NO: C-2250508
PRODUCT SPEC: 108-104004		CUSTOMER DRAWING	SCALE: NTS
		SHEET: 2 OF 3	REV: 3

2250508_C						STOCK DISPOSITION			
						A:CONTINUE AS IS B:REWORK C:SCRAP		D:USE OLD FIRST E:PARTS TO CONFORM F:OTHER	
REVISION HISTORY									
DATE	REV	CHANGE	REASON	APPROVAL	INVENTORY (A,B,C,D,E,F)	WORK IN PROCESS (A,B,C,D)	SUPPLIER ORDERS (A,E,F)	OPEN CUST ORDERS (A,E,F)	
19APR2017	1	-	INITIAL RELEASE	TONY YUAN	-	-	-	-	
13JUL2018	2	HIDE CIRCUIT SCHEMATICS	DESIGN CHANGE	TONY YUAN	-	-	-	-	
21FEB2020	3	ADD DASH NUMBER 2250508-2 FOR BI-COLOR GREEN/YELLOW	CUSTOMER REQUEST	TONY YUAN	-	-	-	-	

THIS DRAWING IS A CONTROLLED DOCUMENT. AND COMPLIANT TO ASME Y14.5M		DWN TOWER YU / XENIA WANG 19APR2017	 <b>trp</b> CONNECTOR a bel group	DONGGUAN CHINA													
DIMENSIONS: mm		CHK BILL LIU 19APR2017		DESC IXI 7UTG01ET 10G 4PPoE 100W EXTENDED TEMPERATUR TAB UP, W/ LEDS													
TOLERANCES UNLESS OTHERWISE SPECIFIED:		APVD TONY YUAN 19APR2017	MODEL NAME MAGJACK SINGLE 4PPOE		RESTRICTED TO -												
<table border="0"> <tr> <td>0 PLC</td><td>±</td></tr> <tr> <td>1 PLC</td><td>±0.25</td></tr> <tr> <td>2 PLC</td><td>±0.25</td></tr> <tr> <td>3 PLC</td><td>±0.25</td></tr> <tr> <td>4 PLC</td><td>±</td></tr> <tr> <td>ANGLES</td><td>±</td></tr> </table>		0 PLC	±	1 PLC	±0.25	2 PLC	±0.25	3 PLC	±0.25	4 PLC	±	ANGLES	±	SIZE A2		CAGE CODE C-2250508	DRAWING NO -
0 PLC	±																
1 PLC	±0.25																
2 PLC	±0.25																
3 PLC	±0.25																
4 PLC	±																
ANGLES	±																
PRODUCT SPEC 108-104004		APPLICATION SPEC -		CUSTOMER DRAWING													
		SCALE NTS		SHEET 3 OF 3 REV 3													