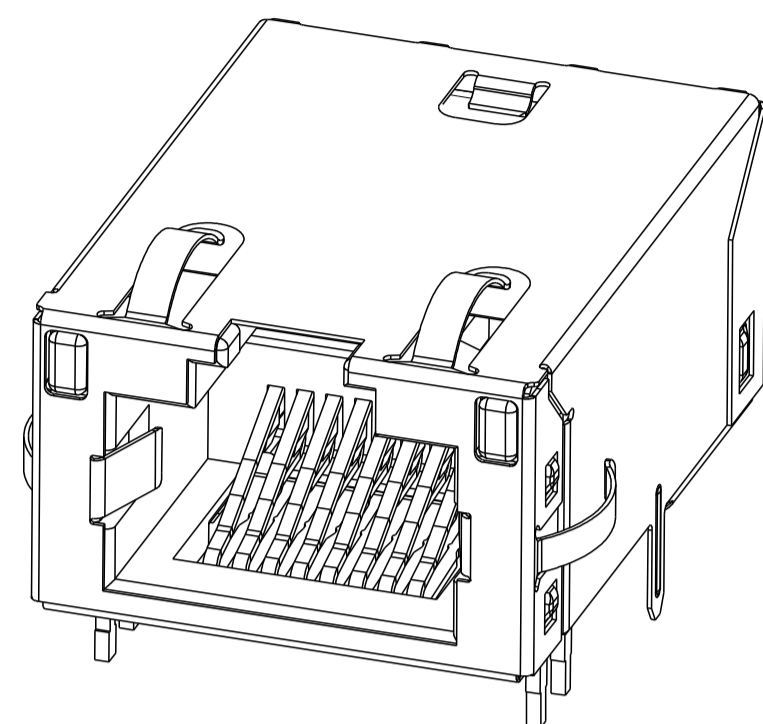
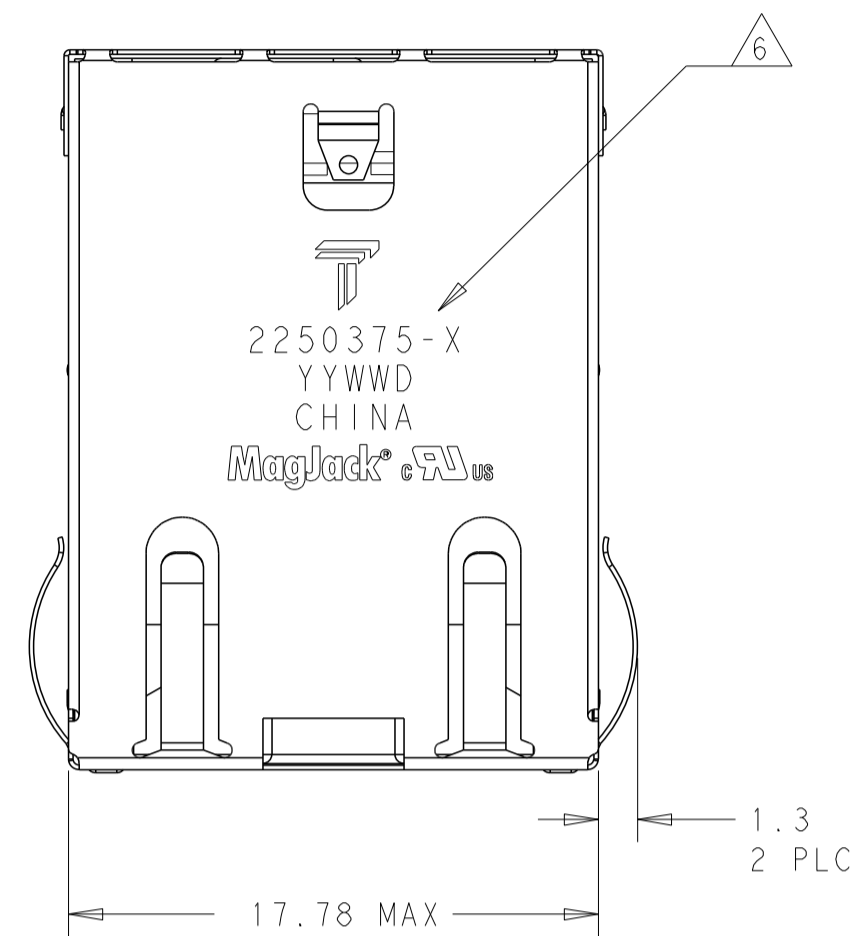


THIS DRAWING AND THE SUBJECT MATTER SHOWN THEREON ARE CONFIDENTIAL AND THE PROPERTY OF BEL/STEWART/TRP CONNECTOR AND SHALL NOT BE REPRODUCED, COPIED, OR USED IN ANY MANNER WITHOUT THE WRITTEN CONSENT OF TRP CONNECTOR.

PRODUCT MAY BE PROTECTED BY ONE OR MORE OF THE FOLLOWING US PATENTS:
 5736910 5939955 6425781 6428361 6554638 6840817 7123117
 7429195 7717749 7808751 6217391 6149050 7924130

REVISIONS				
#	LTN	DESCRIPTION	DATE	DMN
2		SEE LAST SHEET	16SEP2019	TRY TY



- △ MATERIALS:
 - HOUSING: THERMOPLASTIC FLAMMABILITY, RATING, UL 94V-0
 - SHIELD: STAINLESS STEEL 0.15mm THICK, PREPLATED WITH 0.76 μ m MIN SEMI-BRIGHT NICKEL; SOLDER TABS POST DIPPED WITH 4 μ m MIN. TIN.
 - MOD JACK CONTACTS: 0.3mm THICK, PHOSPHOR BRONZE, 1.27 μ m MIN OVERALL NICKEL UNDERPLATE, WITH 0.76 μ m MIN LOCALIZED GOLD PLATE AT PLUG INTERFACE
 - LIGHT EMITTING DIODE (LED): DIFFUSED EPOXY LENS, 0.5mm X 0.5mm CARBON STEEL WIREFRAME LEADS PREPLATED WITH 2.03 μ m MIN. SILVER PLATE OVER 1.02 μ m MIN. NICKEL OVER 1.02 μ m MIN. COPPER UNDERPLATE; LEADS POST-PLATED WITH 3.05 μ m MIN. MATTE TIN.

△ RJ45 JACK CAVITY CONFORMS TO FCC RULES AND REGULATIONS PART 68, SUB-PART F.

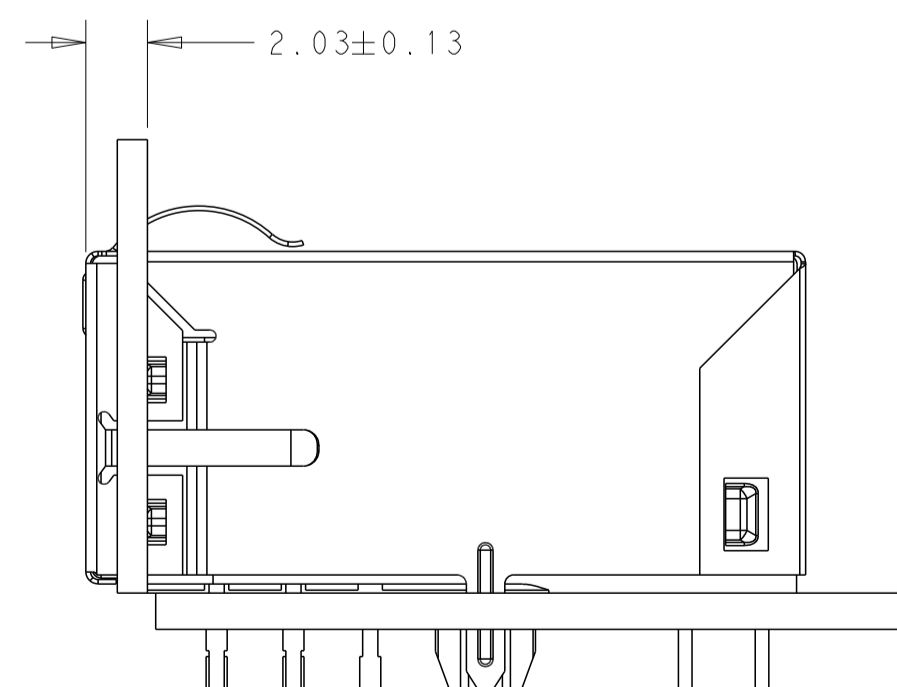
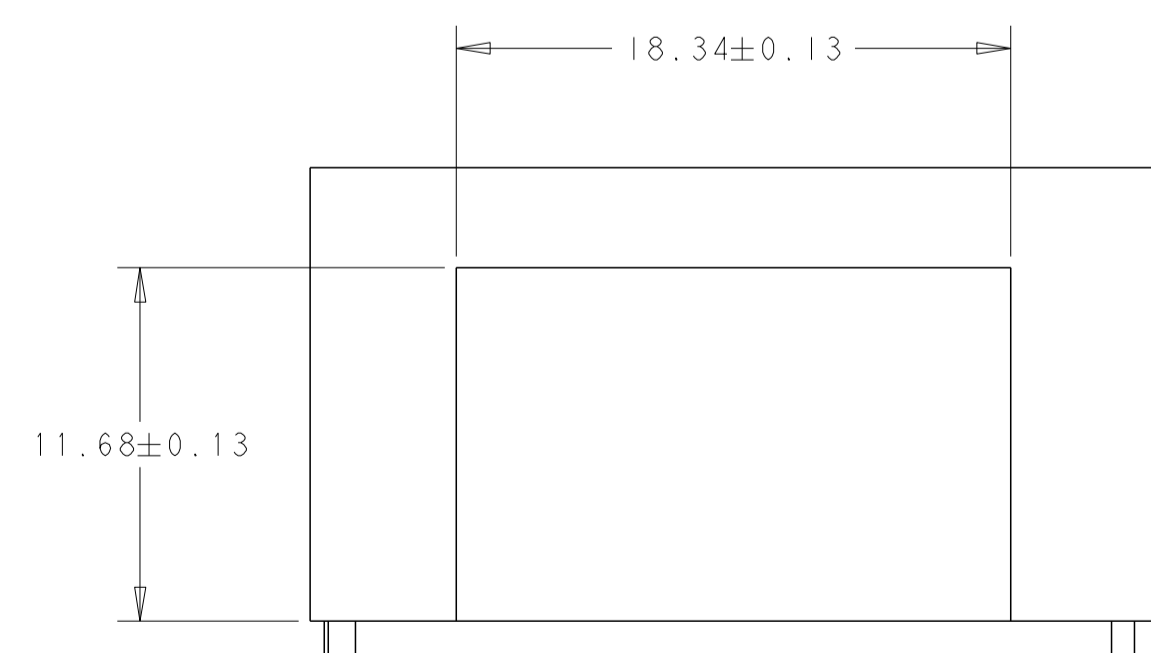
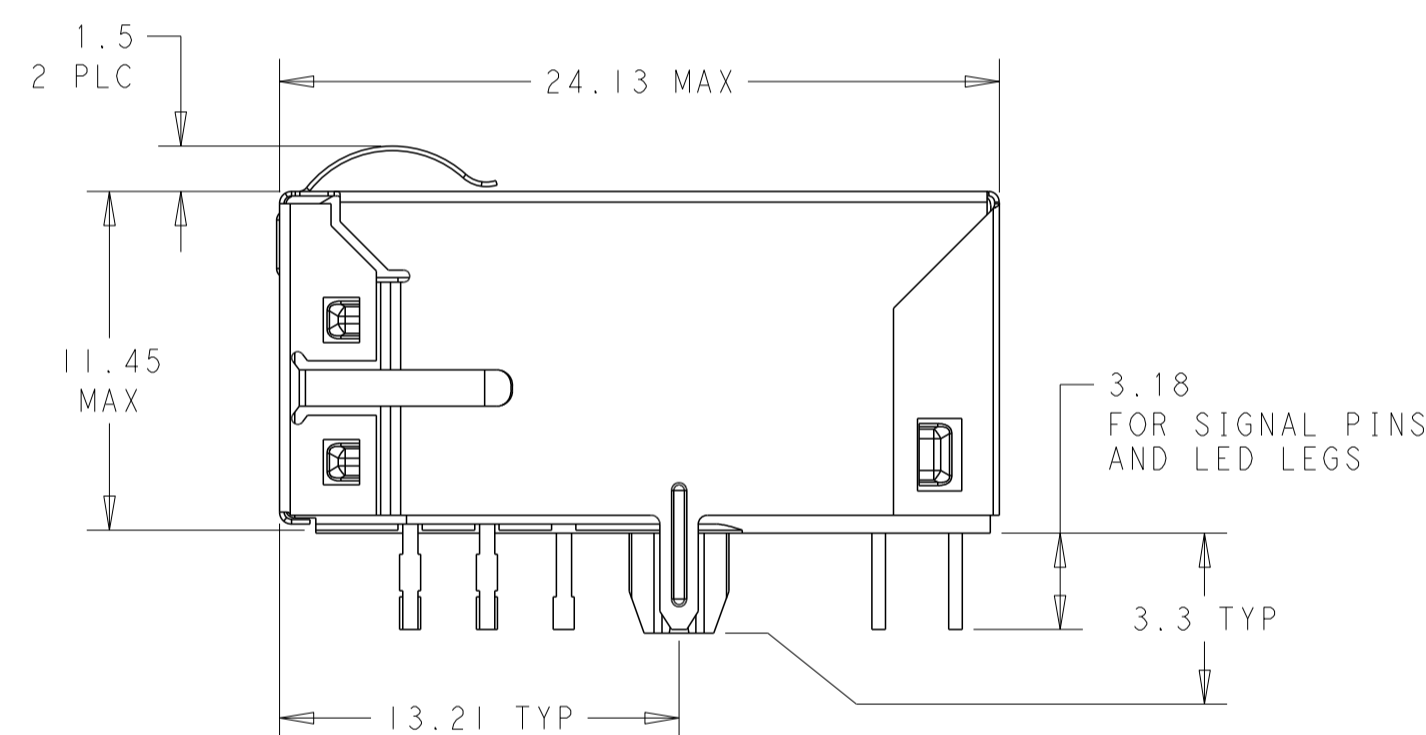
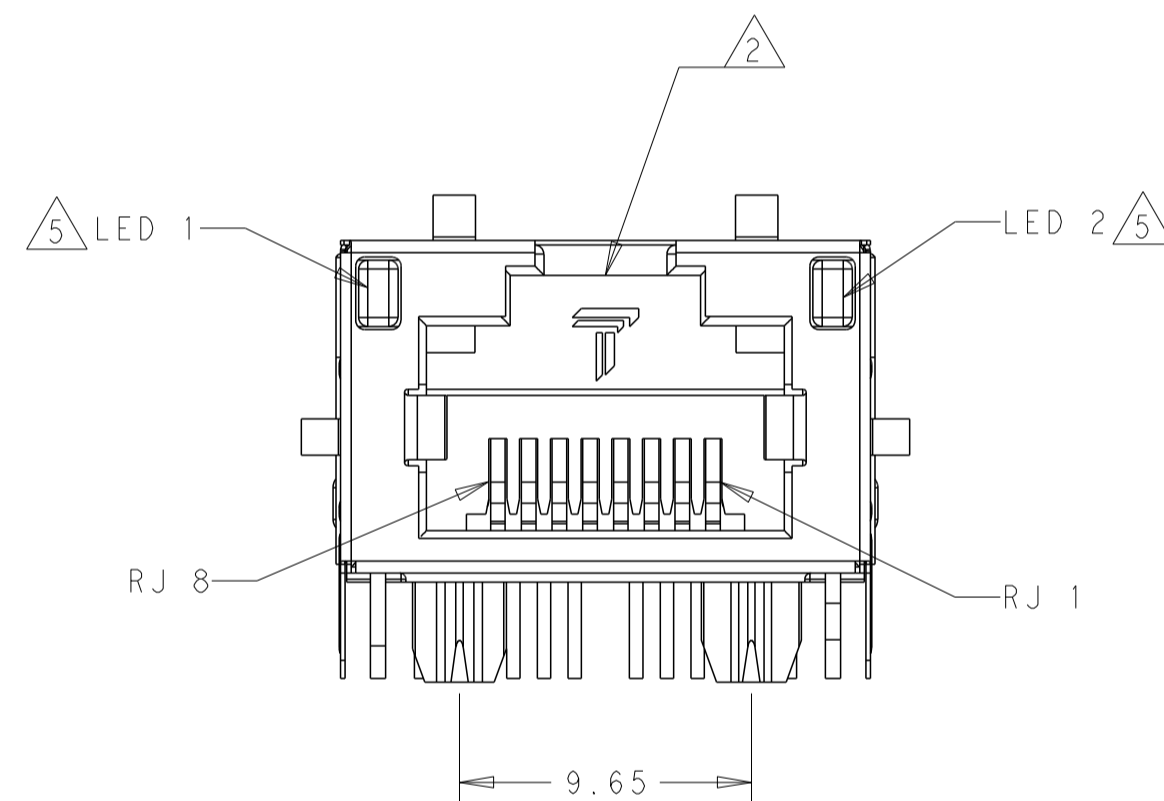
- △ MAGNETICS
 - APPLICATION: 2.5G BASE-T
 - IMPEDANCE: 100 OHMS
 - TURNS RATIO (CHIP:CABLE): 1:1 ALL FOUR PAIRS
 - OPEN CIRCUIT INDUCTANCE (OCL):
 - ALL CHANNELS 180 μ H MIN @ 100KHz, 0.1 VRMS WITH 8mA DC BIAS FROM 0°C TO 70°C,
 - ALL FOUR PAIRS BI-DIRECTIONAL
 - PERFORMANCE @ 25°C: PLEASE REFER TO SEPERATE SHEET
 - ISOLATION VOLTAGE: 2250VDC(MAX) FOR 60 SECONDS WITH A RISE TIME OF 500V/SEC

△ OPERATING TEMPERATURE: FROM 0°C TO 70°C

- △ LED IS WITH CONSTANT CURRENT AT APPROX 20mA.
 - LED COLOR: DONINANT WAVELENGTH(λ D), GREEN = 568 \pm 5nm TYP. at IF=20mA
 - FORWARD VOLTAGE(VF), GREEN 2.2V TYP. at IF=20mA.
 - DONINANT WAVELENGTH(λ D), YELLOW = 588 \pm 5nm TYP. at IF=20mA
 - FORWARD VOLTAGE(VF), YELLOW 2.1V TYP. at IF=20mA.
 - DONINANT WAVELENGTH(λ D), ORANGE = 605 \pm 5nm TYP. at IF=20mA
 - FORWARD VOLTAGE(VF), ORANGE 2.1V TYP. at IF=20mA.

△ TRP CONNECTOR LOGO, PART NUMBER, DATE CODE, COUNTRY OF ORIGIN AND AGENCY APPROVAL MARKING IN APPROXIMATE LOCATION SHOWN.

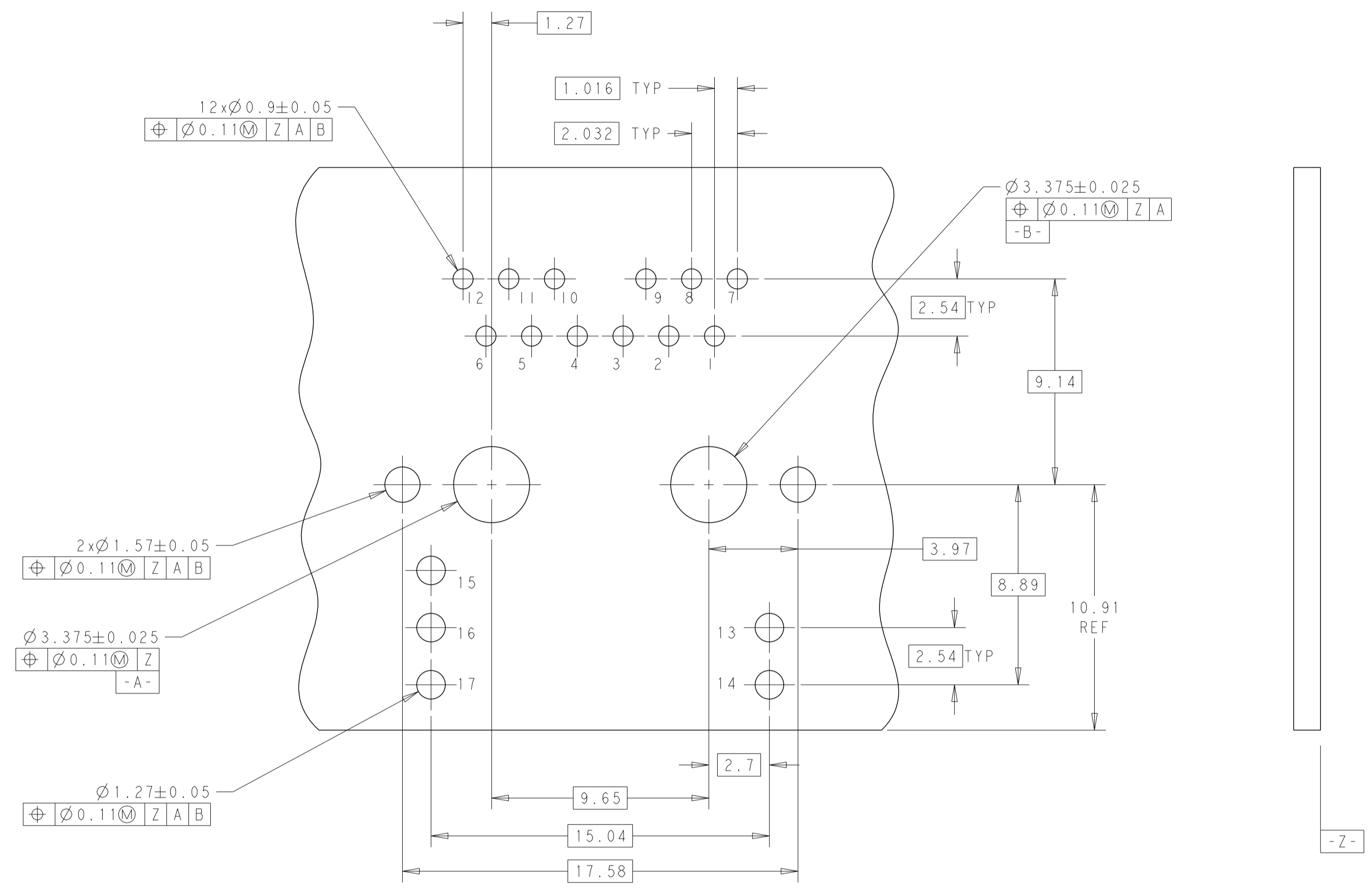
7. PART SHOULD BE COMPLIANT TO WAVE SOLDERING PROCESS, PREHEAT TEMPERATURE IS 120°C TO 160°C, 120 SECONDS TO 180 SECONDS, PEAK SOLDERING TEMPERATURE IS 260°C MAX, 10 SECONDS MAX



SUGGESTED PANEL CUTOUT

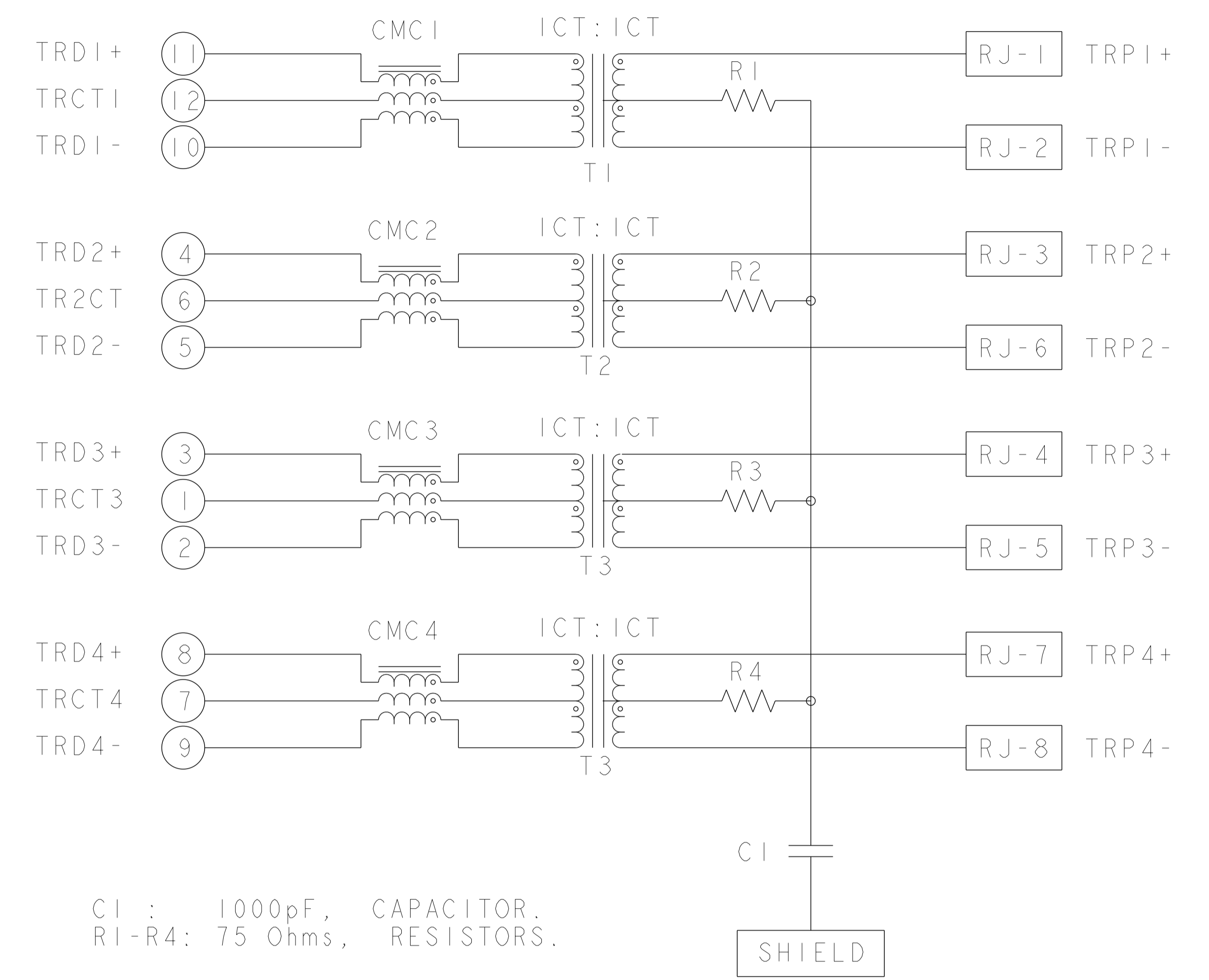
TRAY	ORANGE	GREEN	YELLOW	2250375-1
PACKAGE METHOD	16 \rightarrow 15	16 \rightarrow 17	14 \rightarrow 13	PART NO.
	LED 1		LED 2	

THIS DRAWING IS A CONTROLLED DOCUMENT. AND COMPLIANT TO ASME Y14.5M		DMN: TOWER YU / 23FEB2016	DONGGUAN CHINA a bel group
DIMENSIONS: mm		CHK: BILL LIU / 23FEB2016	
TOLERANCES UNLESS OTHERWISE SPECIFIED:		APP'D: TONY YUAN / 23FEB2016	MODEL NAME: MAGJACK
0 PLC \pm 0.25 1 PLC \pm 0.25 2 PLC \pm 0.25 3 PLC \pm 0.25 4 PLC \pm 0.25 ANGLES: \pm APPLICATION SPEC: -		DESC: 1X1 IOT01 2.5G TAB UP LOW PROFILE W/ LED	SIZE: A1
PRODUCT SPEC: 108-104004		CAGE CODE: -	DRAWING NO: C=2250375
CUSTOMER DRAWING		SCALE: 4:1	SHEET 1 OF 3 REV 2



SUGGESTED PCB LAYOUT


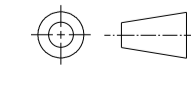
IQT01 2.5G CIRCUIT



C1 : 1000pF, CAPACITOR.
 R1-R4: 75 Ohms, RESISTORS.

THIS DRAWING IS A CONTROLLED DOCUMENT. AND COMPLIANT TO ASME Y14.5M		DWN: TOWER YU / 23FEB2016 CHK: BILL LIU / 23FEB2016 APYD: TONY YUAN / 23FEB2016	DONGGUAN CHINA
DIMENSIONS: mm	TOLERANCES UNLESS OTHERWISE SPECIFIED: 0 PLC ±0.25 1 PLC ±0.25 2 PLC ±0.25 3 PLC ± 4 PLC ± ANGLES ± APPLICATION SPEC ±	MODEL NAME: MAGJACK DESC: 1X1 IQT01 2.5G TAB UP LOW PROFILE W/ LED	
PRODUCT SPEC: 108-104004		SIZE: A1 CAGE CODE: C=2250375 DRAWING NO:	RESTRICTED TO:
CUSTOMER DRAWING			SCALE: 4:1 SHEET 2 OF 3 REV 2

2250375_C					STOCK DISPOSITION			
					A: CONTINUE AS IS	D: USE OLD FIRST		
					B: REWORK	E: PARTS TO CONFORM		
					C: SCRAP	F: OTHER		
REVISION HISTORY								
DATE	REV	CHANGES	REASON	APPROVAL	INVENTORY (A,B,C,D,E,F)	WORK IN PROCESS (A,B,C,F)	SUPPLIER ORDERS (A,E,F)	OPEN CUST ORDERS (A,E,F)
23FEB2016	1	INITIAL RELEASE	-	TONY YUAN	-	-	-	-
16SEP2019	2	SHEET 2, CORRECT CIRCUIT ID FROM GIGABIT TO 2.5G SHEET 2, SUGGESTED PCB LAYOUT: CHANGE DIM FROM Ø3.24 TO Ø3.375	DRAWING CLARIFICATION	TONY YUAN	-	-	-	-

THIS DRAWING IS A CONTROLLED DOCUMENT. AND COMPLIANT TO ASME Y14.5M		DWG: TOWER YU / 23FEB2016 CHK: BILL LIU / 23FEB2016 APP'D: TONY YUAN / 23FEB2016	 DONGGUAN CHINA
DIMENSIONS: mm 	TOLERANCES UNLESS OTHERWISE SPECIFIED: 0 PLC ±0.25 1 PLC ±0.25 2 PLC ±0.25 3 PLC ± 4 PLC ± ANGLES APPLICATION SPEC	MODEL NAME: MAGJACK DESC: 1X1 IOT01 2.5G TAB UP LOW PROFILE W/ LED	
PRODUCT SPEC: 108-104004	APPLICATION SPEC: -	SIZE: A1 CAGE CODE: C=2250375 DRAWING NO: -	RESTRICTED TO: - SCALE: 4:1 SHEET: 3 OF 3 REV: 2