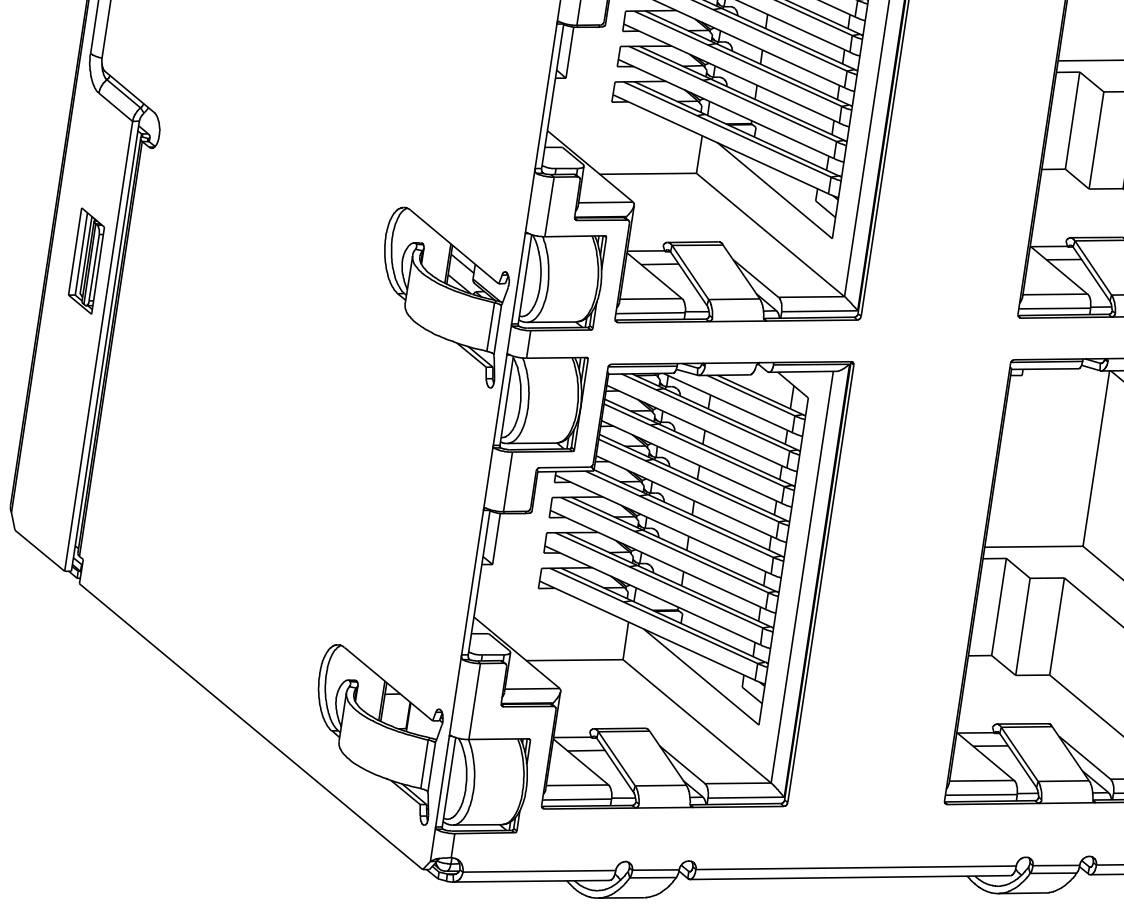
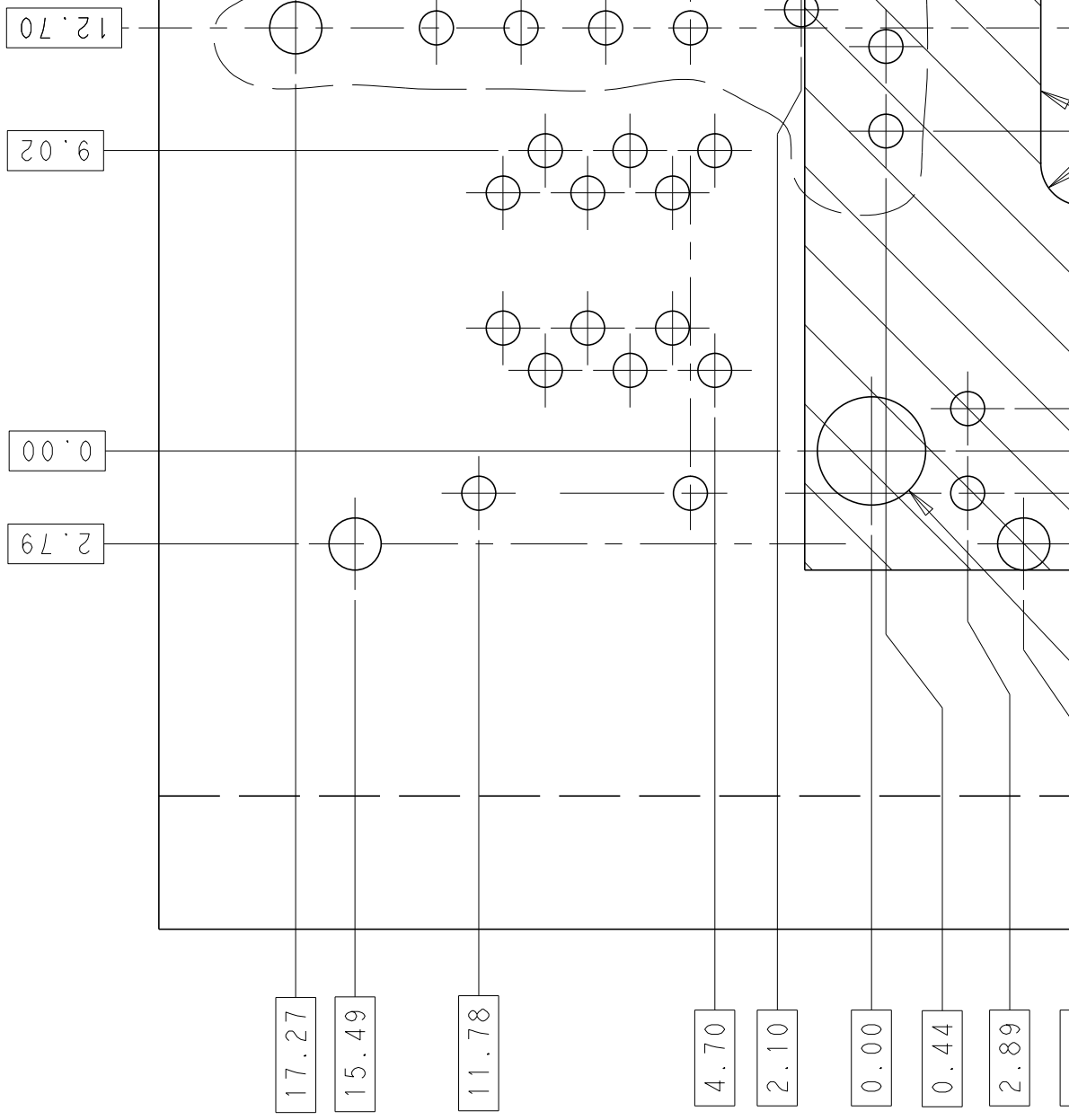


THIS DRAWING AND THE SUBJECT MATTER SHOWN THEREON ARE CONFIDENTIAL AND THE PROP
OF BEL/STEWART/TRP CONNECTOR AND SHALL NOT BE REPRODUCED, COPIED, OR USED IN AN
MANNER WITHOUT THE WRITTEN CONSENT OF TRP CONNECTOR.



© COPYRIGHT TRP connector ALL RIGHTS RESERVED



© COPYRIGHT TRP connector ALL RIGHTS RESERVED

D

