

THE INFORMATION CONTAINED HEREIN IS CONSIDERED "PROPRIETARY" TO BEL FUSE INC. AND SHALL NOT BE COPIED, REPRODUCED OR DISCLOSED WITHOUT THE WRITTEN APPROVAL OF BEL FUSE INC.

LED 2 & 4 POLARITY			LED 1 & 3 POLARITY		
PIN 15	PIN 16	COLOR	PIN 17	PIN 18	COLOR
+	-	GREEN	+	-	GREEN

PROPRIETARY

RoHS



ELECTRICAL CHARACTERISTICS @ 25°C

URNS RATIO

IP1	1CT : 1CT ±2%
TP2	1CT : 1CT ±2%
TP3	1CT : 1CT ±2%
TP4	1CT : 1CT ±2%

OCL @ 100kHz/100mVRMS

(-40°C - +85°C)	180 μH MIN.
19mA DC BIAS (-40°C - +85°C)	120 μH MIN.

INS. LOSS

1MHz TO 150MHz	-0.004(fMHz)-0.4 dB MAX
----------------	-------------------------

RET. LOSS

1MHz-40MHz	-20 dB MIN
40.1MHz-150MHz	-20+15LOG(f/40MHz) dB MIN

CROSSTALK

1MHz - 40MHz	-35 dB MIN
40.1MHz-150MHz	-35+15LOG(f/40MHz) dB MIN

CM TO CM REJ

1MHz - 150MHz	-25 dB MIN
---------------	------------

HIPOT (Isolation Voltage): 2250 VDC

100% OF PRODUCTION TESTED TO COMPLY WITH IEEE 802.3 ISOLATION REQUIREMENTS.

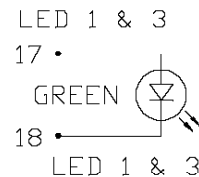
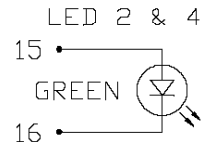
NOTE: PORT-TO-PORT ISOLATION NOT INCLUDED.

BALANCED DC LINE CURRENT 600mA MAX, CONTINUOUS  
1.2A MAX, FOR 200 MILLISECONDS

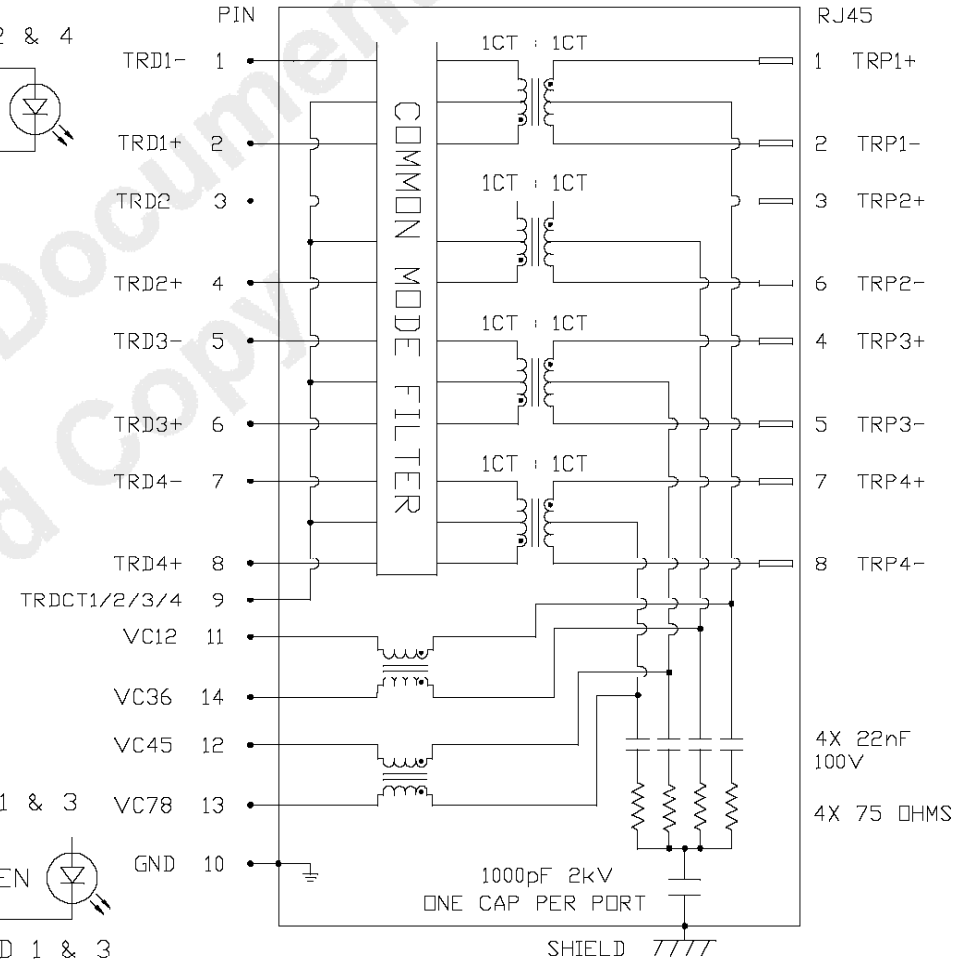
LED 1, 2, 3 & 4

V<sub>F</sub> (FORWARD VOLTAGE) I<sub>F</sub>=20mA GREEN 2.2V TYP.  
λ<sub>D</sub> (DOMINANT WAVELENGTH) I<sub>F</sub>=20mA GREEN 570nm TYP.

OPERATING TEMPERATURE: -40°C TO +85°C.



SCHEMATIC



ORIGINATED BY  
CHOW WANCHUNG  
DATE 2022-11-24

DRAWN BY  
TANG YUAN  
DATE 2022-11-24

TITLE  
2X4 2.5 gigabit MagJack®  
4PPoE  
PATENTED

PART NO. / DRAWING NO.  
0895-2G4J-JDE

FILE NAME  
0895-2G4J-JDE\_1.DWG

STANDARD DIM. [ ] METRIC DIM.  
TOL. IN INCH AS REF.

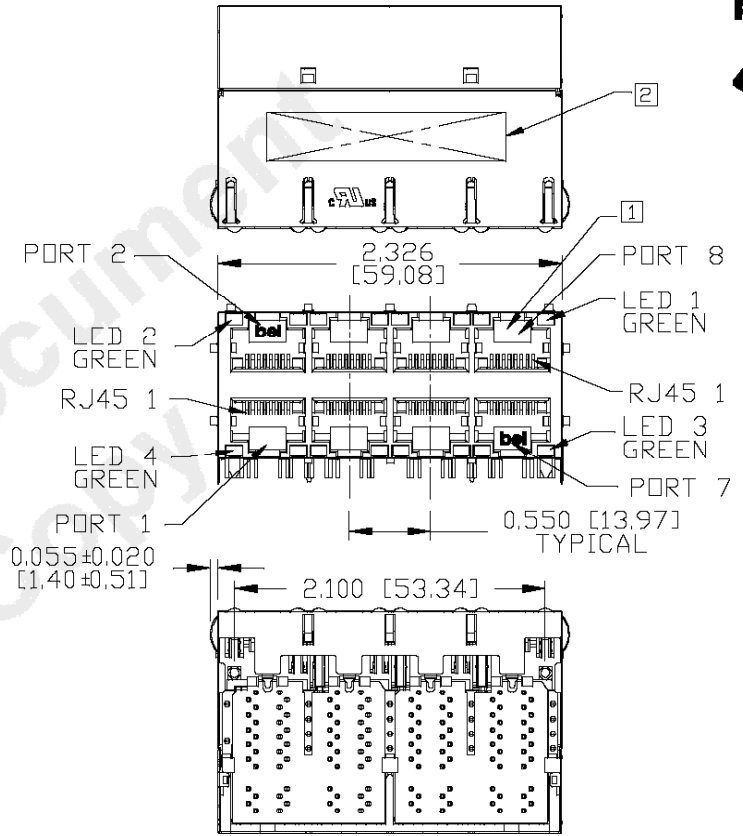
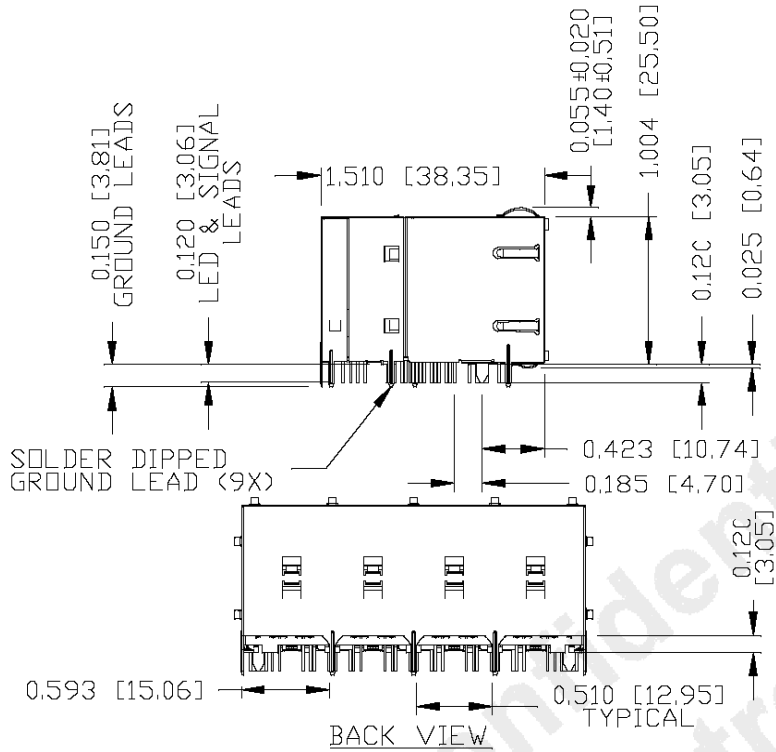
.X	UNIT : INCH [mm]
.XX	SCALE : N/A
.XXX	SIZE : A4

REV. : 1 PAGE : 2



THE INFORMATION CONTAINED HEREIN IS CONSIDERED "PROPRIETARY" TO BEL FUSE INC. AND SHALL NOT BE COPIED, REPRODUCED OR DISCLOSED WITHOUT THE WRITTEN APPROVAL OF BEL FUSE INC.

PRELIMINARY



NOTES:  
 PLASTIC HOUSING: THERMOPLASTIC PBT, BLACK  
 FLAMMABILITY RATING UL 94V-0  
 CONTACT PLATING: 50 MICRO-INCH HARD GOLD PLATING OR EQUIVALENT.  
 OUTPUT PINS: TIN-COATED COPPER WIRE, DIA 0.018 INCH.  
 METAL SHIELD: NICKEL PLATED ON COPPER ALLOY.  
 (ALL GROUND LEADS ARE SOLDER DIPPED)  
 [1] JACK CAVITY CONFORMS TO FCC RULES AND REGULATIONS, PART 68 SUBPART F.

- [2] MARK PART WITH MFG LOGO, PART NUMBER, DATE CODE, MFG NAME AND PATENTED.
- 3. THE PRODUCT IS RoHS COMPLIANT.
- UL RECOGNIZED - FILE #E196366 AND E169987.
- 4. THE PRODUCT IS PATENTED. THE PATENT NUMBER ARE U.S. PAT. 6,840,817 AND U.S. PAT. 7,123,117.
- 5. THE PART IS RECOMMENDED FOR WAVE SOLDERING. THE SUGGESTED PEAK WAVE SOLDERING CONDITION IS 260°C MAX AND 10 SECONDS MAX.

ORIGINATED BY  
 LI QUANKUN  
 DATE 2022-11-24  
 DRAWN BY  
 OLIVER ZHANG  
 DATE 2022-11-24

TITLE  
 2X4 2.5 glgabit MagJack®  
 4PPoE  
 PATENTED

PART NO. / DRAWING NO.  
 0895-2G4J-JDE  
 FILE NAME  
 0895-2G4J-JDE\_1.DWG

STANDARD DIM. TOL. IN INCH	[ ] METRIC DIM. AS REF.
.X	UNIT : INCH [mm]
.XX	SCALE : N/A
.XXX	±0.010
	SIZE : A4

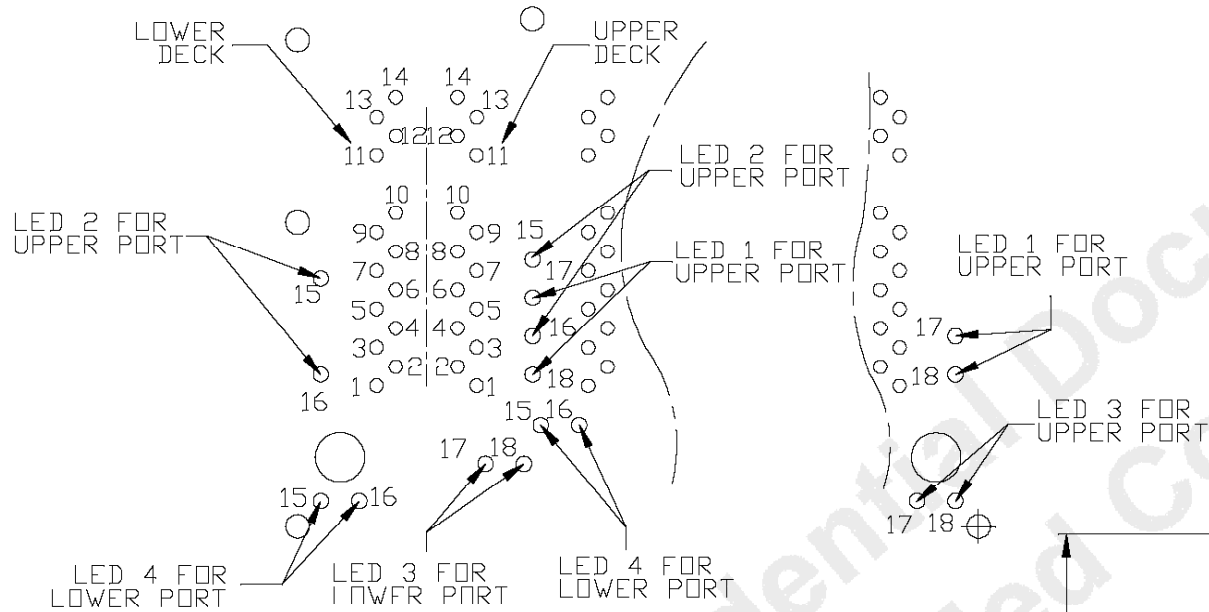
REV. : 1 PAGE : 3



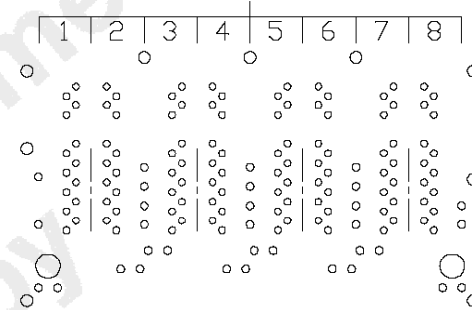
THE INFORMATION CONTAINED HEREIN IS CONSIDERED "PROPRIETARY" TO BEL FUSE INC. AND SHALL NOT BE COPIED, REPRODUCED OR DISCLOSED WITHOUT THE WRITTEN APPROVAL OF BEL FUSE INC.

PROPRIETARY

RoHS

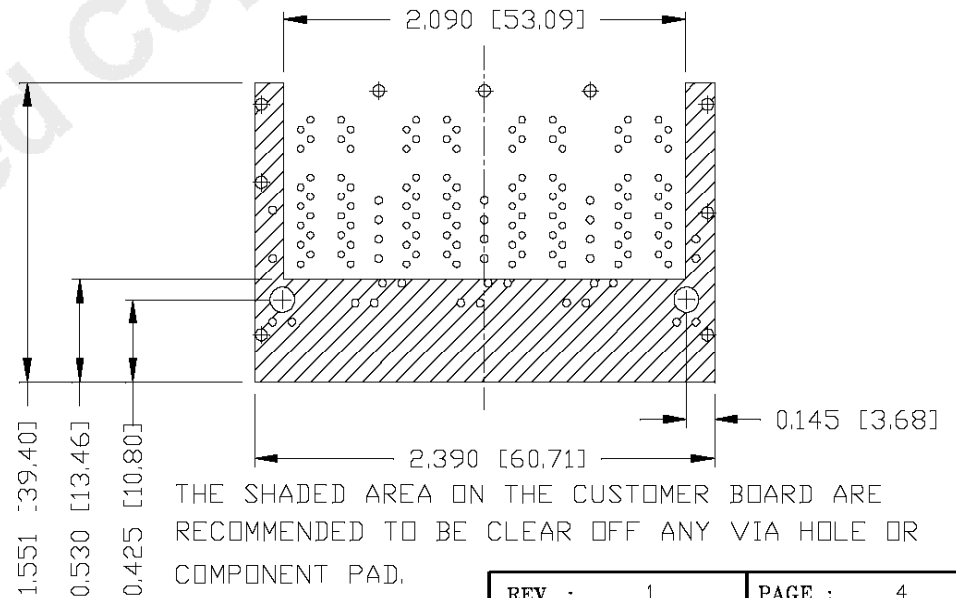


PORT ASSIGNMENT  
(COMPONENT SIDE VIEW)



PIN-OUT INFORMATION  
(COMPONENT SIDE VIEW)

10	GND		
9	TRDCT1/2/3/4		
8	TRD 4+	18	GREEN (-)
7	TRD 4-	17	GREEN (+)
6	TRD 3+	16	GREEN (-)
5	TRD 3-	15	GREEN (+)
4	TRD 2+	14	VC36
3	TRD 2-	13	VC78
2	TRD 1+	12	VC45
1	TRD 1-	11	VC12



ORIGINATED BY  
LI QUANKUN  
DATE 2022-11-24

DRAWN BY  
OLIVER ZHANG  
DATE 2022-11-24

TITLE  
2X4 2.5 glgabit MagJack<sup>®</sup>  
4PPoE  
PATENTED

PART NO. / DRAWING NO.  
0895-2G4J-JDE

FILE NAME  
0895-2G4J-JDE\_1.DWG

STANDARD DIM. TOL. IN INCH	[ ] METRIC DIM. AS REF.
.X	UNIT : INCH [mm]
.XX	SCALE : N/A
.XXX	SIZE : A4

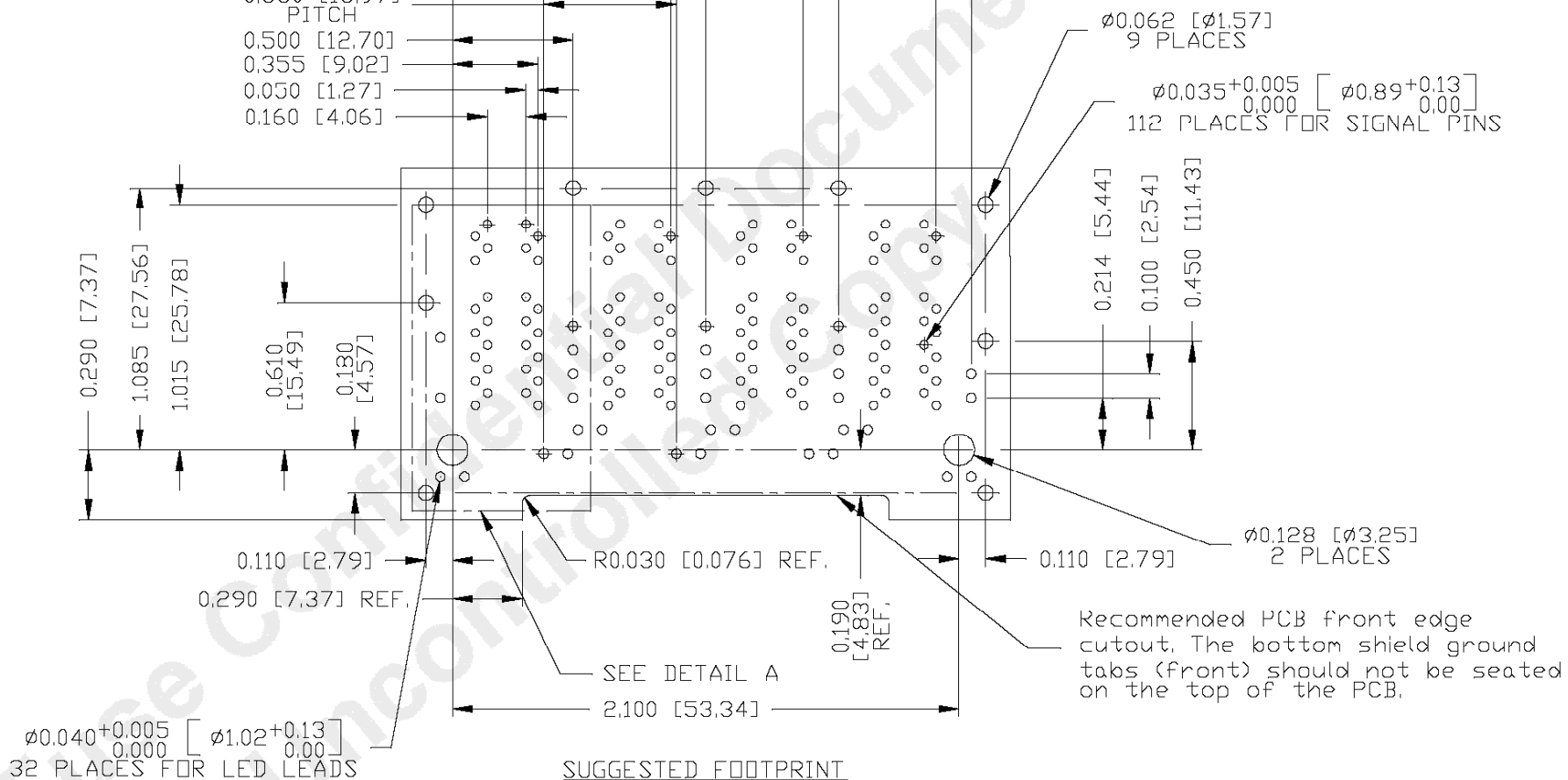
REV. : 1 PAGE : 4



THE INFORMATION CONTAINED HEREIN IS CONSIDERED "PROPRIETARY" TO BEL FUSE INC. AND SHALL NOT BE COPIED, REPRODUCED OR DISCLOSED WITHOUT THE WRITTEN APPROVAL OF BEL FUSE INC.

- 2.150 [54,61]
- 2.005 [50,92]
- 1.600 [40,64]
- 1.455 [36,96]
- 1.050 [26,67]
- 0.905 [22,98]
- 0.550 [13,97]
- PITCH
- 0.500 [12,70]
- 0.355 [9,02]
- 0.050 [1,27]
- 0.160 [4,06]

PRELIMINARY

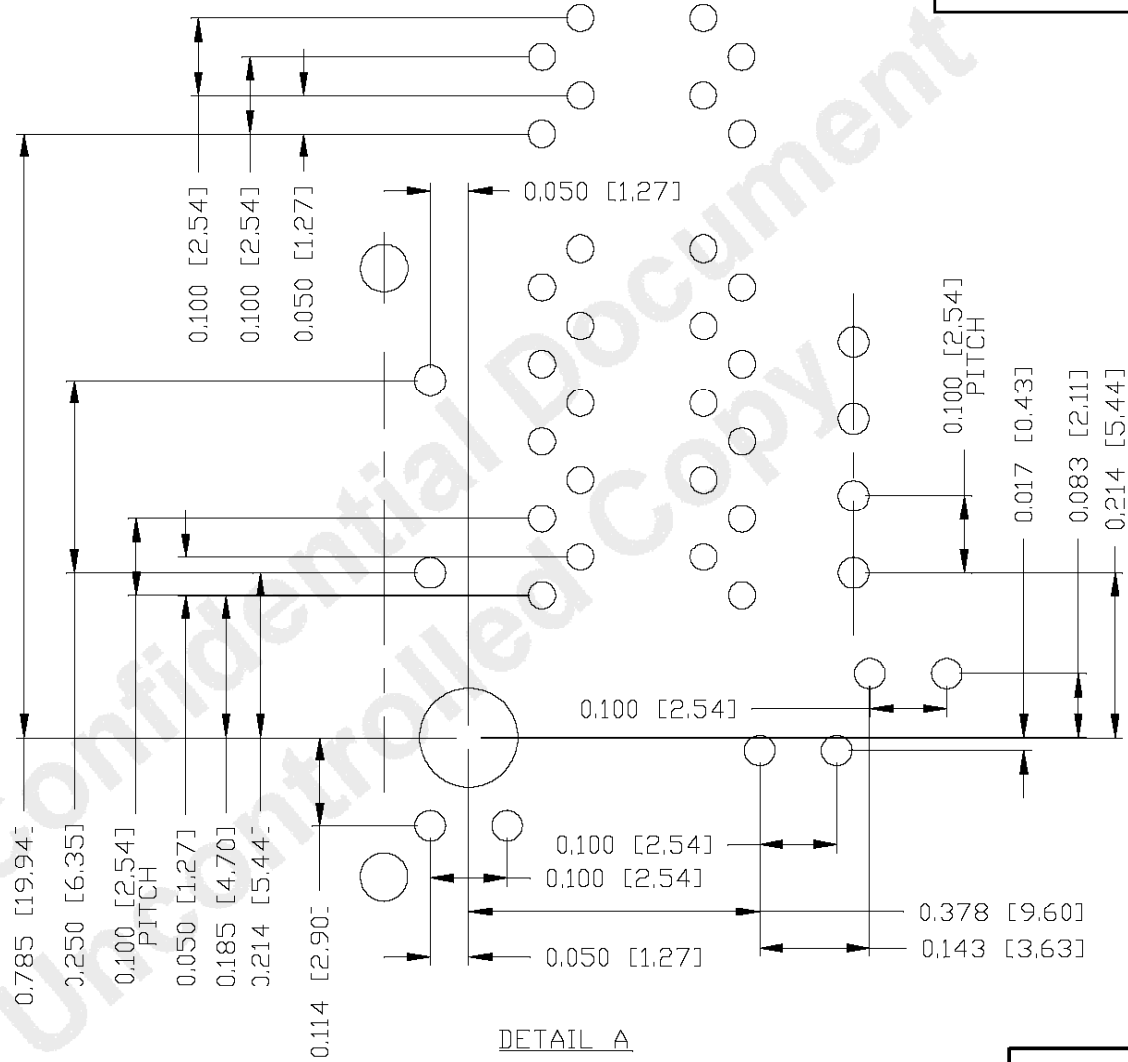


SUGGESTED FOOTPRINT  
(COMPONENT SIDE VIEW)

ORIGINATED BY LI QUANKUN DATE 2022-11-24	TITLE PX4 2.5 glgabit MagJack® 4PPoE PATENTED	PART NO. / DRAWING NO. 0895-2G4J-JDE	STANDARD DIM. TOL. IN INCH	[ ] METRIC DIM. AS REF.	REV. : 1      PAGE : 5
		FILE NAME 0895-2G4J-JDE_1.DWG	.X TOL. IN INCH	UNIT : INCH [mm]	
DRAWN BY OLIVER ZHANG DATE 2022-11-24			.XX ±0.004	SCALE : N/A	
			.XXX ±0.004	SIZE : A4	

THE INFORMATION CONTAINED HEREIN IS CONSIDERED "PROPRIETARY" TO BEL FUSE INC. AND SHALL NOT BE COPIED, REPRODUCED OR DISCLOSED WITHOUT THE WRITTEN APPROVAL OF BEL FUSE INC.

PRELIMINARY



DETAIL A

ORIGINATED BY  
LI QUANKUN  
DATE 2022-11-24

DRAWN BY  
OLIVER ZHANG  
DATE 2022-11-24

TITLE  
2X4 2.5 glgabl MagJack®  
4PPoE  
PATENTED

PART NO. / DRAWING NO.  
0895-2G4J-JDE

FILE NAME  
0895-2G4J-JDE\_1.DWG

STANDARD DIM. TOL. IN INCH	[ ] METRIC DIM. AS REF.
.X	UNIT : INCH [mm]
.XX	SCALE : N/A
.XXX	SIZE : A4
±0.004	

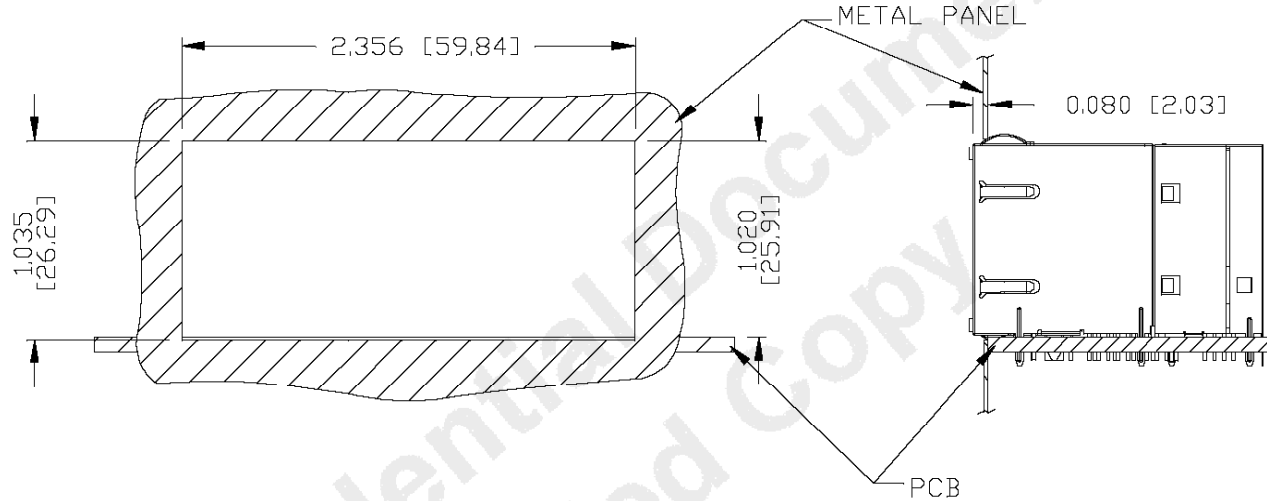
REV. : 1 PAGE : 6



THE INFORMATION CONTAINED HEREIN IS CONSIDERED "PROPRIETARY" TO BEL FUSE INC. AND SHALL NOT BE COPIED, REPRODUCED OR DISCLOSED WITHOUT THE WRITTEN APPROVAL OF BEL FUSE INC.

SUGGESTED PANEL OPENING

PROFITINARY



NOTE:

THE DISTANCE OF PANEL INSIDE SURFACE RELATIVE TO FRONT SURFACE OF PART IS ONLY A SUGGESTION. IN CASE THIS DISTANCE IS DIFFERENT, THE REQUIRED PANEL OPENING DIMENSIONS CHANGE ACCORDINGLY.

PACKING INFORMATION

PACKING TRAY : 0200-9999-G2 (TOP)  
0200-9999-G3 (BOTTOM)

PACKING QUANTITY : 20 PCS FINISHED GOODS PER TRAY  
5 TRAYS (100 PCS FINISHED GOODS) PER CARTON BOX

NOTE : CARDBOARDS ARE PLACED BETWEEN LAYERS OF PACKING TRAY INSIDE CARTON BOX (INCLUDE THE UPPERMOST AND LOWERMOST TRAY)

REV. :	1	PAGE :	7
--------	---	--------	---

ORIGINATED BY LI QUANKUN DATE 2022-11-24
DRAWN BY OLIVER ZHANG DATE 2022-11-24

TITLE 2X4 2.5 gigabit MagJack® 4PPoE PATENTED
--

PART NO. / DRAWING NO. 0895-2G4J-JDE
FILE NAME 0895-2G4J-JDE_1.DWG

STANDARD DIM. TOL. IN INCH	[ ] METRIC DIM. AS REF.
.X	UNIT : INCH [mm]
.XX	SCALE : N/A
.XXX ±0.005	SIZE : A4

