

THE INFORMATION CONTAINED HEREIN IS CONSIDERED PROPRIETARY TO BEL FUSE INC. AND SHALL NOT BE COPIED, REPRODUCED OR DISCLOSED WITHOUT THE WRITTEN APPROVAL OF BEL FUSE INC.

LED 4 POLARITY		LED 3 POLARITY	
PIN 11	PIN 12	PIN 13	PIN 14
-	+	+	-
+	-	+	-
		YELLOW	GREEN
		GREEN	YELLOW

ELECTRICAL CHARACTERISTICS @ 25°C

TURNS RATIO

- TP1 1CT : 1CT ±2%
- TP2 1CT : 1CT ±2%
- TP3 1CT : 1CT ±2%
- TP4 1CT : 1CT ±2%

DCL @ 100kHz/100mVRMS

- 8mA DC BIAS 350µH MIN.
- 0.1MHZ TO 1MHZ -1.1 dB MAX
- 1MHZ TO 65MHZ -0.5 dB MAX
- 65MHZ TO 100MHZ -0.8 dB MAX
- 100MHZ TO 125MHZ -1.2 dB MAX

RET. LOSS (MIN)

- 0.5MHZ-40MHZ -18 dB
- 40MHZ-100MHZ -12+20LOG(f/80MHZ) dB
- CM TO CM REJ -30 dB MIN
- 100KHZ - 100MHZ -35 dB MIN
- CM TO DM REJ 1500 Vrms

HIPOT (Isolation Voltage):

100% OF PRODUCTION TESTED TO COMPLY WITH IEEE 802.3 ISOLATION REQUIREMENTS.

LED 3

VF <FORWARD VOLTAGE> IF=20mA GREEN 2.2V TYP.
 λD <DOMINANT WAVELENGTH> IF=20mA GREEN 525nm TYP.

LED 4

VF <FORWARD VOLTAGE> IF=20mA GREEN 2.2V TYP.
 IF=20mA YELLOW 2.1V TYP.
 λD <DOMINANT WAVELENGTH> IF=20mA GREEN 525nm TYP.
 IF=20mA YELLOW 590nm TYP.

OPERATING TEMPERATURE: 0°C TO 70°C

ORIGINATED BY

CHOW WANCHUNG
 DATE 2019-07-04

DRAWN BY

XIE YIMING
 DATE 2019-07-04

TITLE

2X2 gigabit MagJack®
 0879-252R-17B
 PATENTED

PART NO. / DRAWING NO.

0879-252R17B

FILE NAME

0879-252R17B_A.DWG

STANDARD DIM.

TOL. IN INCH

[] METRIC DIM.
 AS REF.

.X

.XX

.XXX

UNIT : INCH [mm]

SCALE : N/A

SIZE : A4

REV. : A

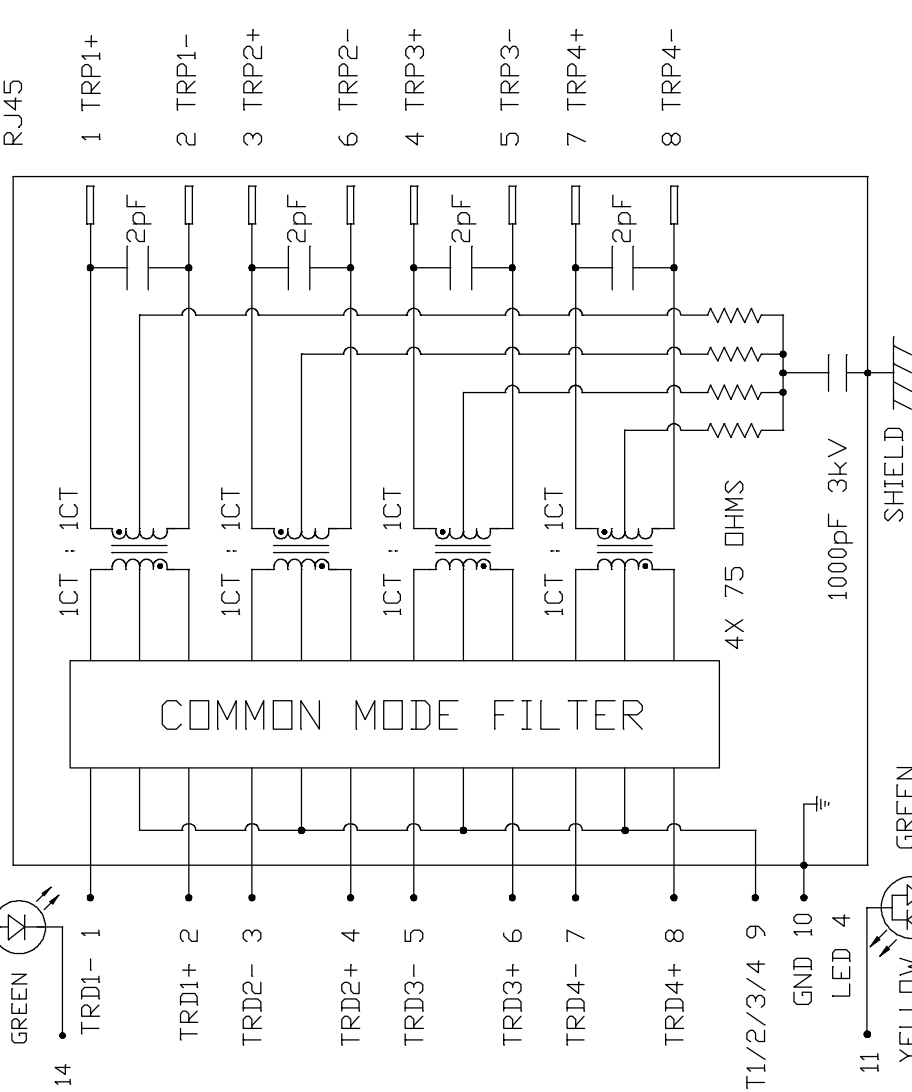
PAGE : 2

RoHS



SCHEMATIC

(PORT 1 & 3)



RJ45

1 TRP1+

2 TRP1-

3 TRP2+

6 TRP2-

4 TRP3+

5 TRP3-

7 TRP4+

8 TRP4-



MAGNETIC SOLUTIONS
 a bel group

THE INFORMATION CONTAINED HEREIN IS CONSIDERED PROPRIETARY TO BEL FUSE INC. AND SHALL NOT BE COPIED, REPRODUCED OR DISCLOSED WITHOUT THE WRITTEN APPROVAL OF BEL FUSE INC.



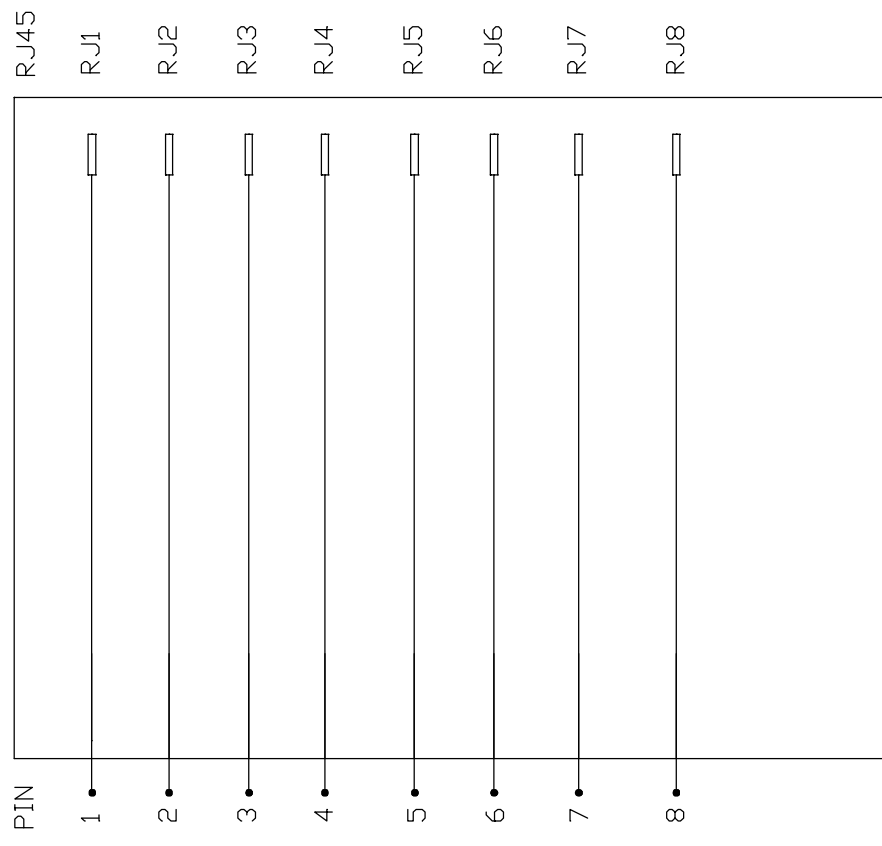
SCHEMATIC
(PORT 2 & 4)

ELECTRICAL CHARACTERISTICS @ 25°C

- RJ 1-OUTPUT PIN 1; RJ 2-OUTPUT PIN 2;
- RJ 3-OUTPUT PIN 3; RJ 4-OUTPUT PIN 4;
- RJ 5-OUTPUT PIN 5; RJ 6-OUTPUT PIN 6;
- RJ 7-OUTPUT PIN 7; RJ 8-OUTPUT PIN 8;

CONTINUITY

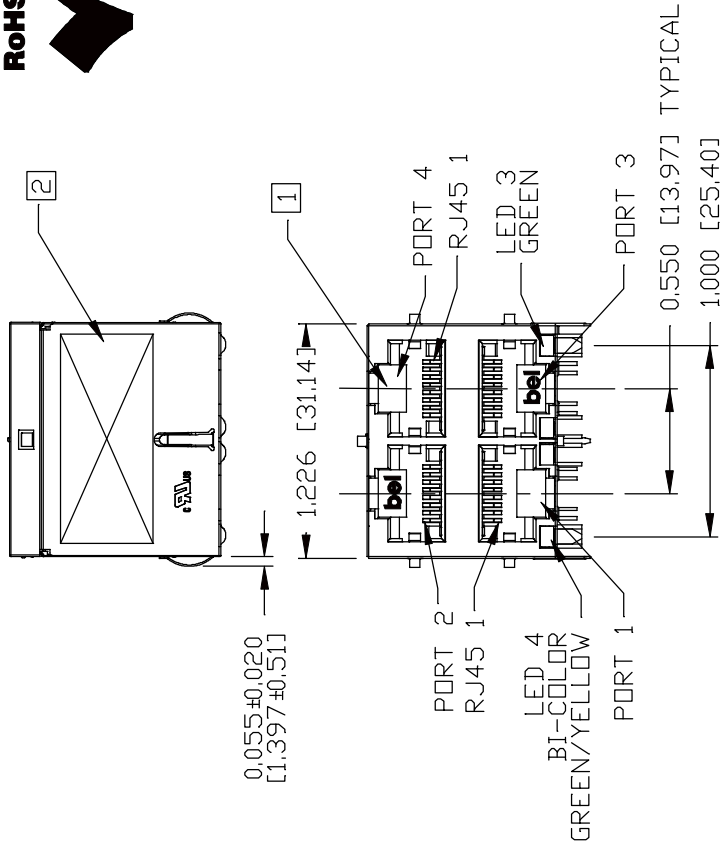
OPERATING TEMPERATURE: 0°C TO 70°C



SHIELD TTTT

REV. : A		PAGE : 3	
PART NO. / DRAWING NO. 0879-252R17B		STANDARD DIM. [] METRIC DIM. AS REF.	
FILE NAME 0879-252R17B_A.DWG		TOL. IN INCH .X .XX .XXX	
TITLE 2X2 gigabit MagJack® 0879-252R-17B PATENTED		UNIT : INCH [mm] SCALE : N/A SIZE : A4	
ORIGINATED BY CHOW WANCHUNG	DATE 2019-07-04	 MAGNETIC SOLUTIONS a bel group	
DRAWN BY XIE YIMING	DATE 2019-07-04	This document is electronically generated. This is a controlled copy if used internally.	
PC002(2)120214			

THE INFORMATION CONTAINED HEREIN IS CONSIDERED "PROPRIETARY" TO BEL FUSE, INC. AND SHALL NOT BE COPIED, REPRODUCED OR DISCLOSED WITHOUT THE WRITTEN APPROVAL OF BEL FUSE, INC.



NOTES:

- 1. JACK CAVITY CONFORMS TO FCC RULES AND REGULATIONS, PART 68 SUBPART F.
- 2. MARK PART WITH MFG LOGO, MFG NAME, PART NUMBER, DATE CODE AND PATENTED.
- 3. THE PRODUCT IS RoHS COMPLIANT.
- 4. THE PRODUCT IS PATENTED, THE PATENT NUMBER ARE U.S. PAT. 6,840,817 AND U.S. PAT. 7,123,117.
- 5. THE PART IS RECOMMENDED FOR WAVE SOLDERING, THE SUGGESTED PEAK WAVE SOLDERING CONDITION IS 260°C MAX AND 10 SECONDS MAX.

UL US UL RECOGNIZED - FILE #E196366 AND E169987.

REV. : A		PAGE : 4	
STANDARD DIM. [] METRIC DIM. AS REF.		UNIT : INCH [mm]	
.X		SCALE : N/A	
.XX		SIZE : A4	
.XXX		±0.010	
PART NO. / DRAWING NO.		0879-252R17B	
TITLE		2X2 gigabit MagJack®	
ORIGINATED BY		SANDY LIN	
DATE		2019-07-04	
DRAWN BY		RUAN WENJUN	
DATE		2019-07-04	
FILE NAME		0879-252R-17B	
PATENTED		0879-252R17B_A.DWG	

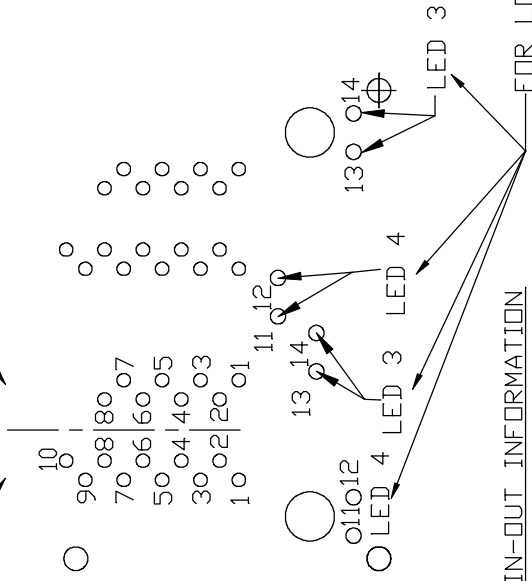
This document is electronically generated. This is a controlled copy if used internally



THE INFORMATION CONTAINED HEREIN IS CONSIDERED "PROPRIETARY" TO BEL FUSE, INC. AND SHALL NOT BE COPIED, REPRODUCED OR DISCLOSED WITHOUT THE WRITTEN APPROVAL OF BEL FUSE, INC.



PORT ASSIGNMENT
(COMPONENT SIDE VIEW)



PIN-OUT INFORMATION
(COMPONENT SIDE VIEW)

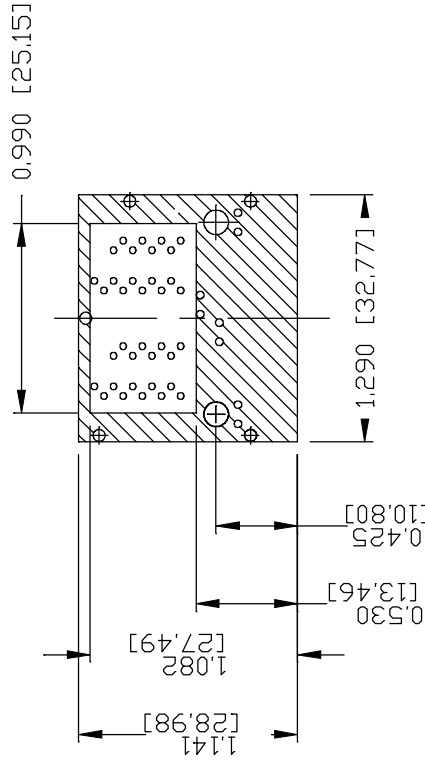
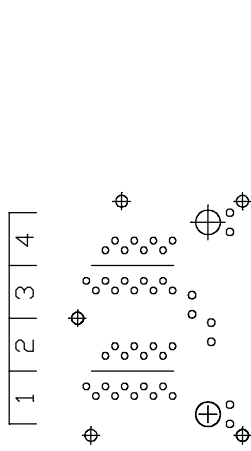
(FOR PORT 1 & 3)

10	GND
9	TRD 1/2/3/4
8	TRD 4+
7	TRD 4-
6	TRD 3+
5	TRD 3-
4	TRD 2+
3	TRD 2-
2	TRD 1+
1	TRD 1-

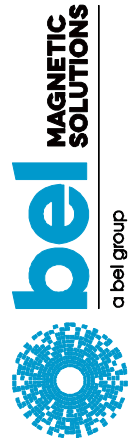
(FOR PORT 2 & 4)

8	RJ8
7	RJ7
6	RJ6
5	RJ5
4	RJ4
3	RJ3
2	RJ2
1	RJ1

THE SHADED AREA ON THE CUSTOMER BOARD ARE RECOMMENDED TO BE CLEAR OFF ANY VIA HOLE OR COMPONENT PAD.

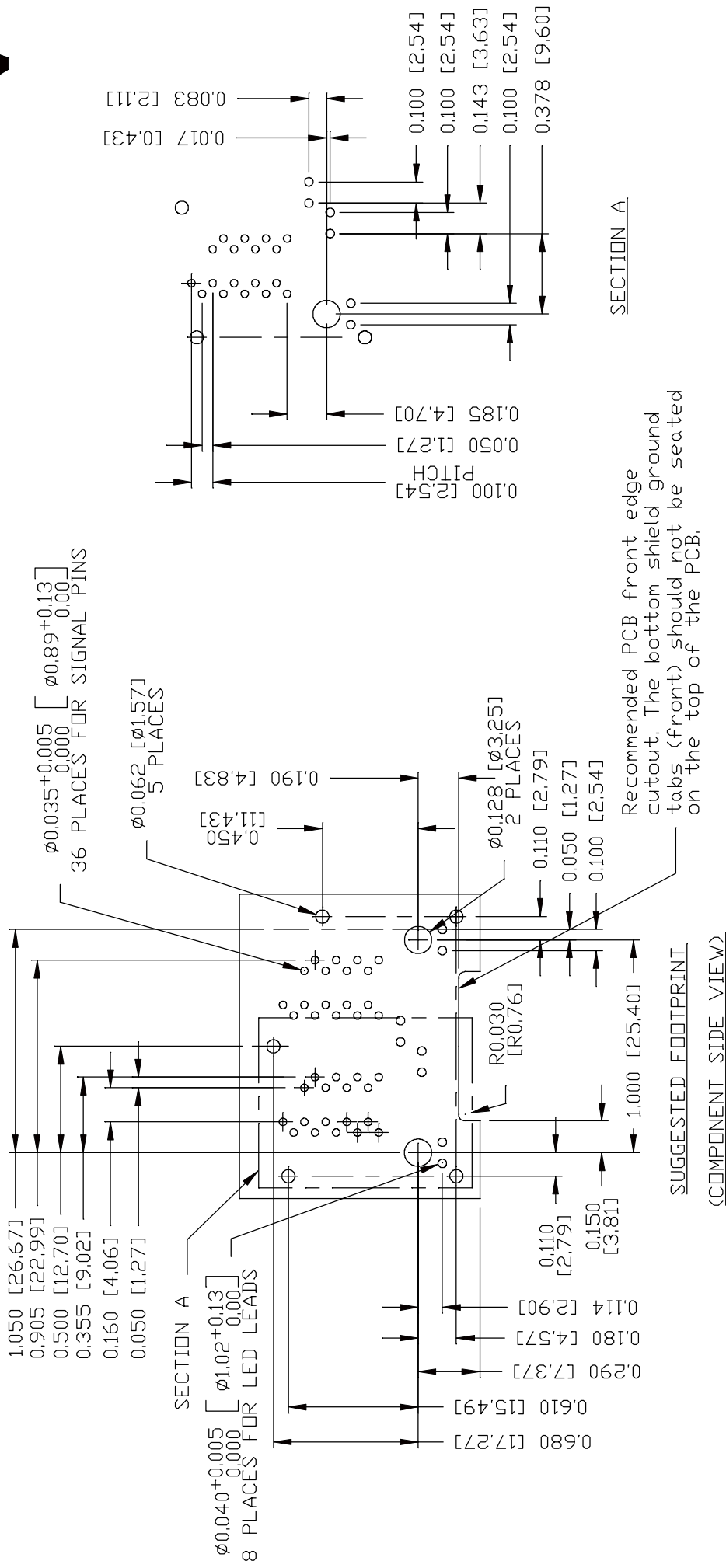


ORIGINATED BY SANDY LIN	TITLE 2X2 gigabit MagJack®	STANDARD DIM. TOL. IN INCH	[] METRIC DIM. AS REF.
DATE 2019-07-04	8879-252R-17B	.X	UNIT : INCH [mm]
DRAWN BY RUAN WENJUN	PATENTED	.XX	SCALE : N/A
DATE 2019-07-04	0879-252R17B_A.DWG	.XXX	SIZE : A4



This document is electronically generated. This is a controlled copy if used internally

THE INFORMATION CONTAINED HEREIN IS CONSIDERED PROPRIETARY TO BEL FUSE INC. AND SHALL NOT BE COPIED, REPRODUCED OR DISCLOSED WITHOUT THE WRITTEN APPROVAL OF BEL FUSE INC.



SUGGESTED FOOTPRINT
(COMPONENT SIDE VIEW)

Recommended PCB front edge cutout. The bottom shield ground tabs (front) should not be seated on the top of the PCB.

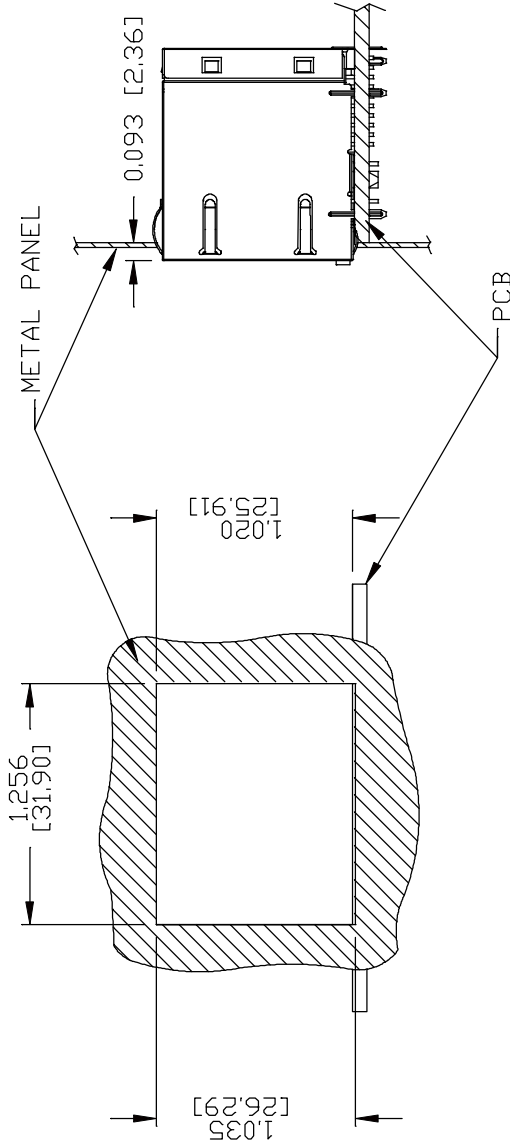
SECTION A

ORIGINATED BY SANDY LIN	TITLE 2X2 gigabit MagJack®	PART NO. / DRAWING NO. 0879-252R17B	STANDARD DIM. TOL. IN INCH .X .XX .XXX	[] METRIC DIM. AS REF.	REV. : A	PAGE : 6
DATE 2019-07-04	FILE NAME 0879-252R-17B	0879-252R17B_A.DWG	UNIT : INCH [mm]	SCALE : N/A	 MAGNETIC SOLUTIONS a bel group	
DRAWN BY RUAN WENJUN	PATENTED		SIZE : A4			
DATE 2019-07-04	This document is electronically generated. This is a controlled copy if used internally					

THE INFORMATION CONTAINED HEREIN IS CONSIDERED PROPRIETARY TO BEL FUSE INC. AND SHALL NOT BE COPIED, REPRODUCED OR DISCLOSED WITHOUT THE WRITTEN APPROVAL OF BEL FUSE INC.



SUGGESTED PANEL OPENING



NOTE:

THE DISTANCE OF PANEL INSIDE SURFACE RELATIVE TO FRONT SURFACE OF PART IS ONLY A SUGGESTION. IN CASE THIS DISTANCE IS DIFFERENT, THE REQUIRED PANEL OPENING DIMENSIONS CHANGE ACCORDINGLY.

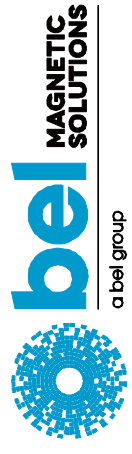
PACKING INFORMATION

PACKING TRAY : 0200-9999-P5 (TOP)
0200-9999-P6 (BOTTOM)

PACKING QUANTITY : 28 PCS FINISHED GOODS PER TRAY
7 TRAYS (196 PCS FINISHED GOODS) PER CARTON BOX

NOTE : CARDBOARDS ARE PLACED BETWEEN LAYERS OF PACKING TRAY INSIDE CARTON BOX
(INCLUDE THE UPPERMOST AND LOWERMOST TRAY)

REV. : A		PAGE : 7	
ORIGINATED BY SANDY LIN DATE 2019-07-04 DRAWN BY RUAN WENJUN DATE 2019-07-04		TITLE 2X2 gigabit MagJack® 0879-252R-17B PATENTED	
PART NO. / DRAWING NO. 0879-252R17B FILE NAME 0879-252R17B_A.DWG		STANDARD DIM. TOL. IN INCH .X .XX .XXX +0.005	
<input type="checkbox"/> METRIC DIM. AS REF.		UNIT : INCH [mm] SCALE : N/A SIZE : A4	



DC002(2)120214 This document is electronically generated. This is a controlled copy if used internally