

THE INFORMATION CONTAINED HEREIN IS CONSIDERED "PROPRIETARY" TO BEL FUSE INC. AND SHALL NOT BE COPIED, REPRODUCED OR DISCLOSED WITHOUT THE WRITTEN APPROVAL OF BEL FUSE INC.

RoHS



PRELIMINARY

LED1 POLARITY			LED2 POLARITY		
PIN 13	PIN 14	COLOR	PIN 15	PIN 16	COLOR
-	+	YELLOW	+	-	ORANGE
/	/	/	-	+	GREEN

ELECTRICAL CHARACTERISTICS @ 25°C

URNS RATIO

TP1	1CT : 1CT	±2%
TP2	1CT : 1CT	±2%
TP3	1CT : 1CT	±2%
TP4	1CT : 1CT	±2%

OCL @ 100kHz/100mVRMS

8mA DC BIAS (-40°C - 85°C) 160µH MIN.

INS. LOSS

1MHz TO 150MHz -0.004(fMHz)-0.4 dB MAX

RET. LOSS

1MHz-40MHz -20 dB MIN  
40.1MHz-150MHz -20+15LOG(f/40MHZ) dB MIN

CROSS TALK

1MHz - 40MHz -35 dB MIN  
40.1MHz-150MHz -35+15LOG(f/40MHZ) dB MIN

CM TO CM REJ

1MHz - 150MHz -25 dB MIN

HIPOT (Isolation Voltage): 1500 VRMS

100% OF PRODUCTION TESTED TO COMPLY WITH IEEE 802.3 ISOLATION REQUIREMENTS.

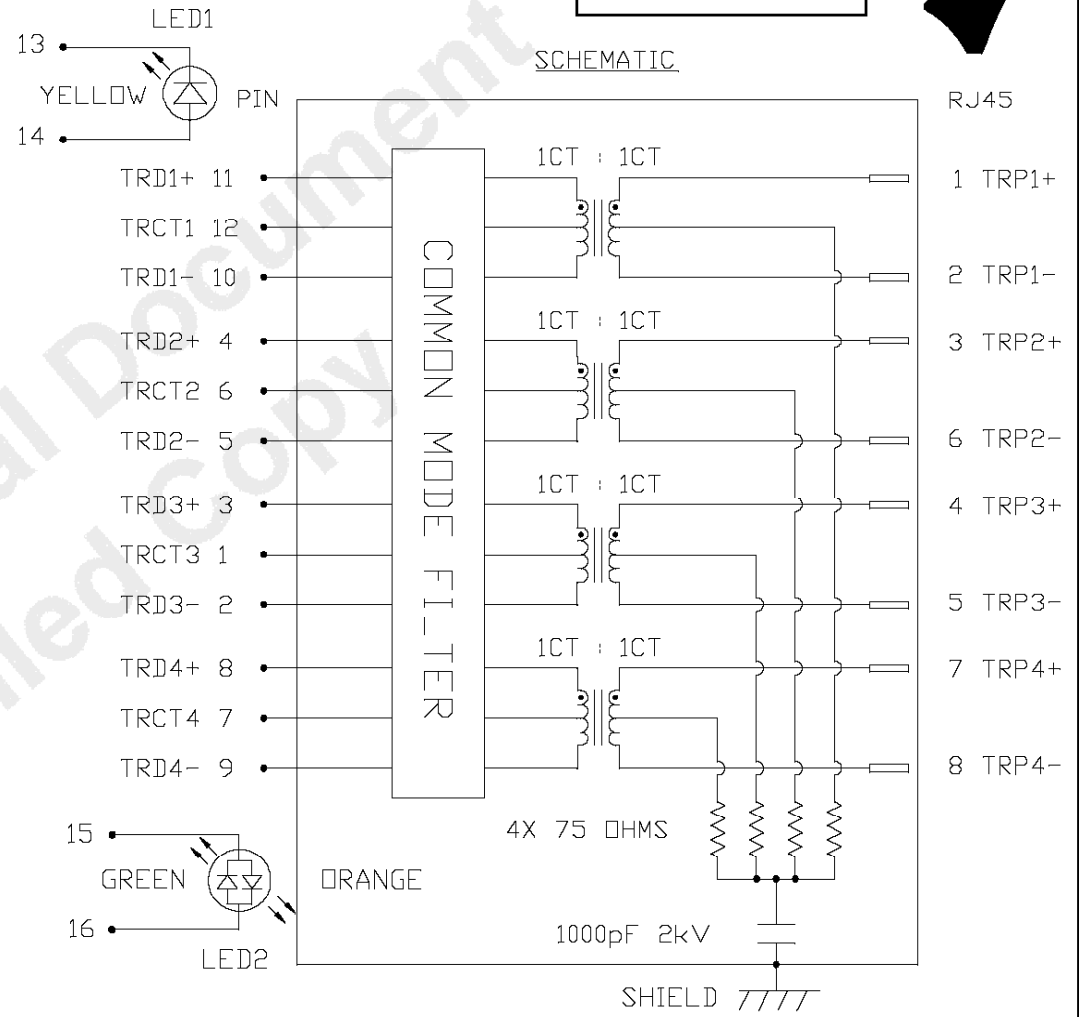
LED 1

V<sub>F</sub> (FORWARD VOLTAGE) I<sub>F</sub>=20mA YELLOW 2.1V TYP.  
λ<sub>D</sub> (DOMINANT WAVELENGTH) I<sub>F</sub>=20mA YELLOW 590nm TYP.

LED 2

V<sub>F</sub> (FORWARD VOLTAGE) I<sub>F</sub>=20mA GREEN 2.2V TYP.  
ORANGE 2.0V TYP.  
λ<sub>D</sub> (DOMINANT WAVELENGTH) I<sub>F</sub>=20mA GREEN 570nm TYP.  
ORANGE 605nm TYP.

OPERATING TEMPERATURE: -40°C TO 85°C



ORIGINATED BY CHOW WANCHUNG	TITLE 2.5 Gigabit MagJack® PATENTED
DATE 2023-01-18	
DRAWN BY TANG YUAN	
DATE 2023-01-18	

PART NO. / DRAWING NO. 0826-1X1T-JM-F
FILE NAME 0826-1X1T-JM-F_1.DWG

STANDARD DIM. TOL. IN INCH	[ ] METRIC DIM. AS REF.
.X	UNIT : INCH [mm]
.XX	SCALE : N/A
.XXX	SIZE : A4

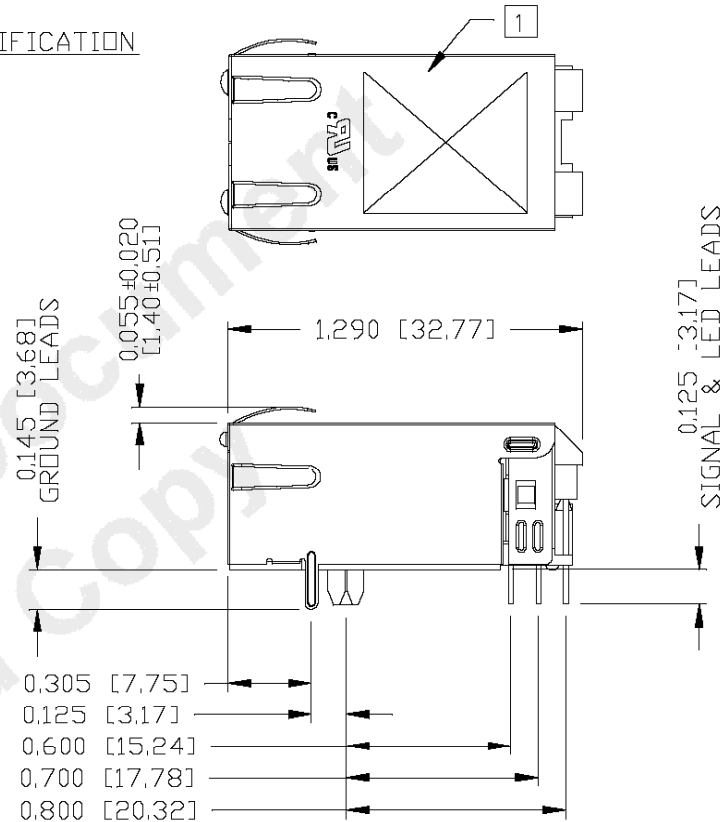
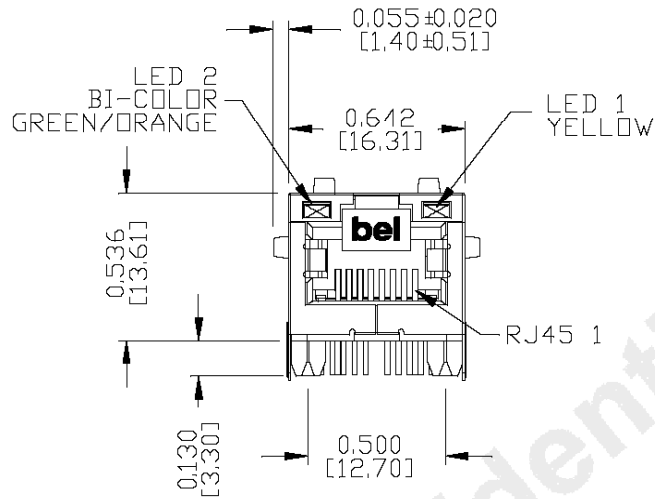
REV. : 1	PAGE : 2
----------	----------



THE INFORMATION CONTAINED HEREIN IS CONSIDERED "PROPRIETARY" TO BEL FUSE INC. AND SHALL NOT BE COPIED, REPRODUCED OR DISCLOSED WITHOUT THE WRITTEN APPROVAL OF BEL FUSE INC.

PRELIMINARY

MECHANICAL SPECIFICATION



NOTES:

- PLASTIC HOUSING: THERMOPLASTIC PA, BLACK, FLAMMABILITY RATING UL 94V-0
- CONTACTS: 50 MICRO-INCH HARD GOLD PLATING OR EQUIVALENT.
- OUTPUT PINS: TIN-COATED COPPER WIRE, DIA 0.016 AND DIA 0.018 INCH, 100 MICRO-INCH MIN MATTE TIN. PINS ARE SOLDER DIPPED.
- METAL SHIELD: NICKEL PLATED ON COPPER ALLOY. (ALL GROUND LEADS ARE SOLDER DIPPED)

1. MARK PART WITH MFG LOGO, MFG NAME, PART NUMBER, DATE CODE AND PATENTED.

UL RECOGNIZED - FILE #E196366 AND E169987.

2. THE PRODUCT IS RoHS COMPLIANT.

- 3. JACK CAVITY CONFORMS TO FCC RULES AND REGULATIONS.
- 4. THE PRODUCT IS PATENTED, THE PATENT NUMBER IS U.S. PAT. 7,123,117.
- 5. THE PART IS RECOMMENDED FOR WAVE SOLDERING. THE SUGGESTED PEAK WAVE SOLDERING CONDITION IS 260°C MAX AND 10 SECONDS MAX.

ORIGINATED BY ANTON LIAO
DATE 2023-01-18
DRAWN BY LI QUANKUN
DATE 2023-01-18

TITLE 2.5 Gigabit MagJack® PATENTED
---

PART NO. / DRAWING NO. 0826-1X1T-JM-F
FILE NAME 0826-1X1T-JM-F_1.DWG

STANDARD DIM. TOL. IN INCH	[ ] METRIC DIM. AS REF.
.X	UNIT : INCH [mm]
.XX	SCALE : N/A
.XXX	±0.010
SIZE : A4	

REV. : 1	PAGE : 3
----------	----------

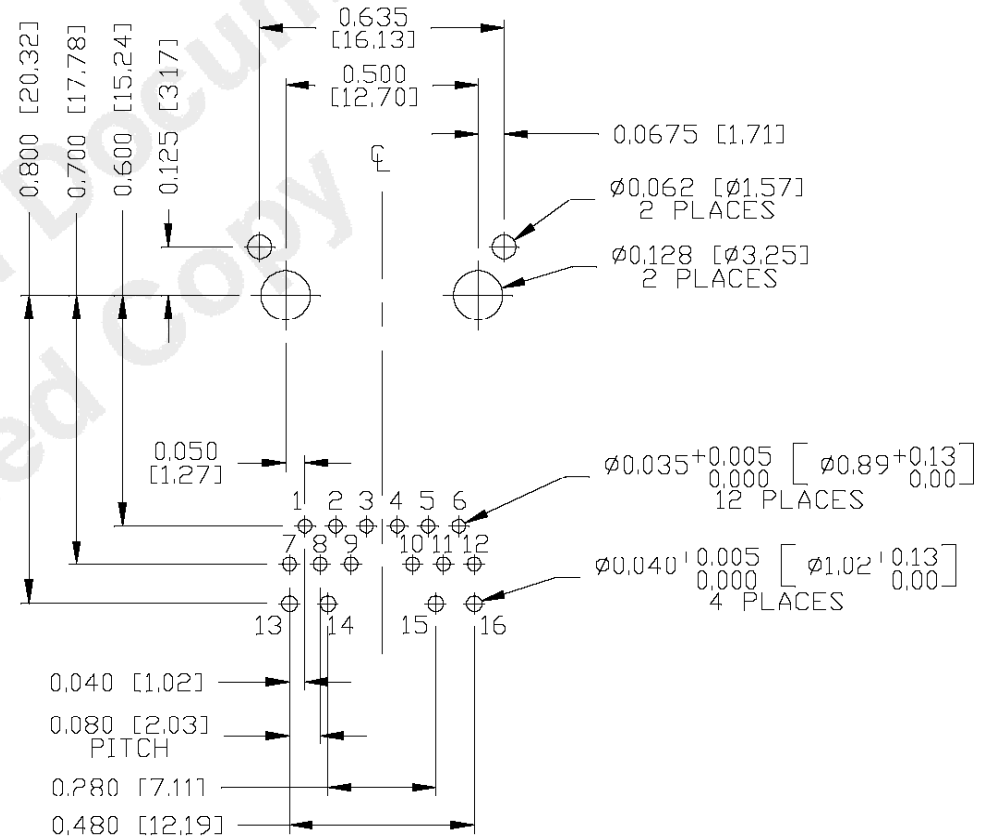
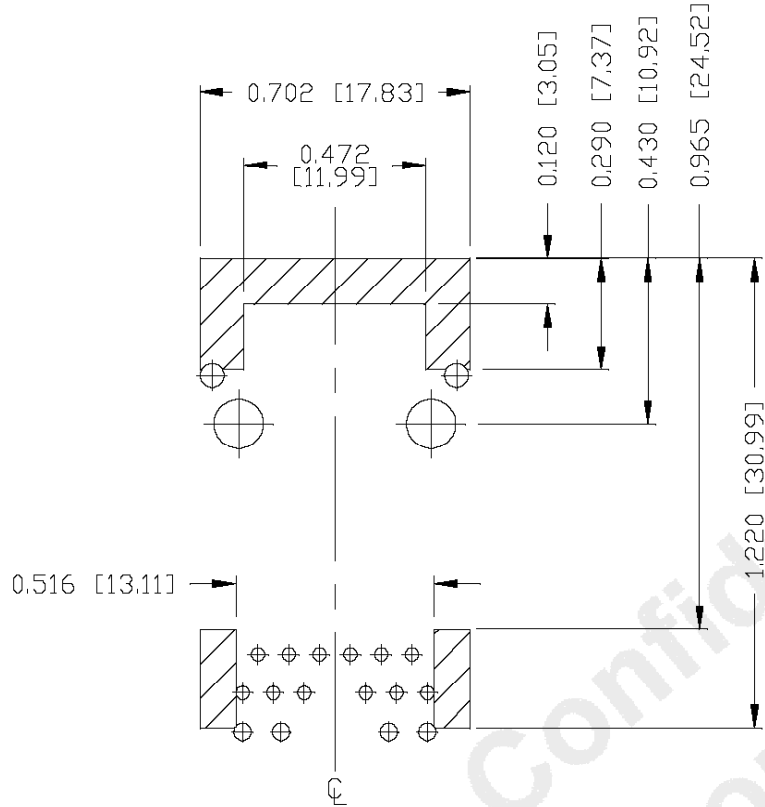


THE INFORMATION CONTAINED HEREIN IS CONSIDERED "PROPRIETARY" TO BEL FUSE INC. AND SHALL NOT BE COPIED, REPRODUCED OR DISCLOSED WITHOUT THE WRITTEN APPROVAL OF BEL FUSE INC.

PRELIMINARY



RECOMMENDED PCB FOOTPRINT  
COMPONENT SIDE VIEW



NOTES

THE SHADED AREA ON THE CUSTOMER BOARD ARE RECOMMENDED TO BE CLEAR OFF ANY VIA HOLE OR COMPONENT PAD.

ORIGINATED BY  
ANTON LIAO  
DATE 2023-01-18  
DRAWN BY  
LI QUANKUN  
DATE 2023-01-18

TITLE  
2.5 Gigabit MagJack®  
PATENTED

PART NO. / DRAWING NO.  
0826-1X1T-JM-F  
FILE NAME  
0826-1X1T-JM-F\_1.DWG

STANDARD DIM. TOL. IN INCH	[ ] METRIC DIM. AS REF.
.X	UNIT : INCH [mm]
.XX	SCALE : N/A
.XXX	±0.004
	SIZE : A4

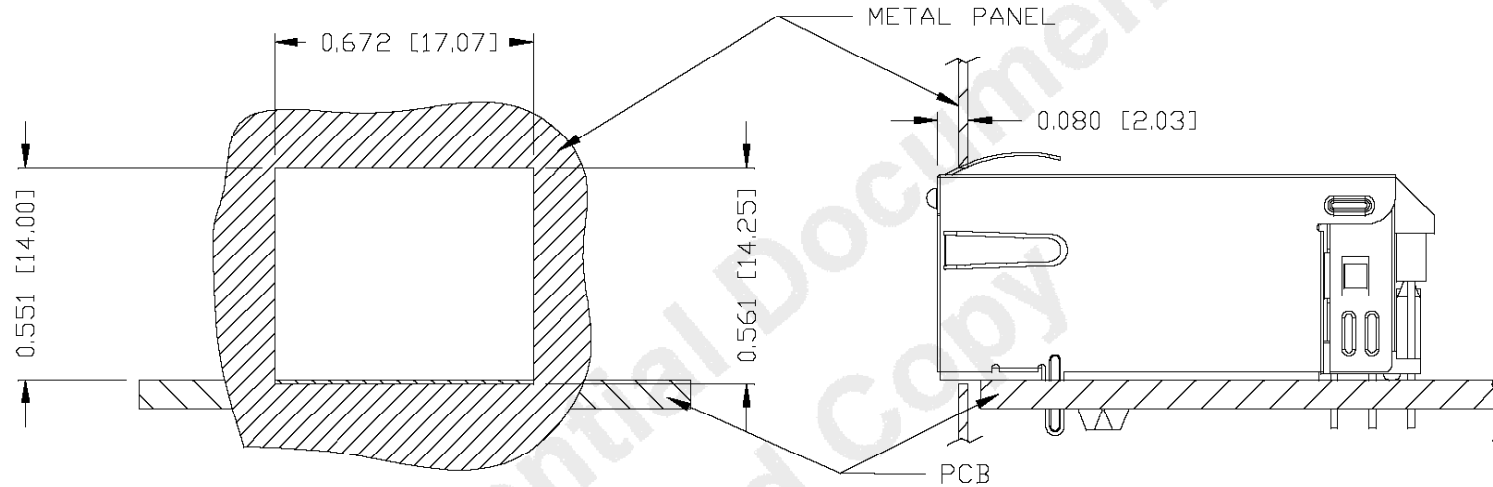
REV. : 1 PAGE : 4



THE INFORMATION CONTAINED HEREIN IS CONSIDERED "PROPRIETARY" TO BEL FUSE INC. AND SHALL NOT BE COPIED, REPRODUCED OR DISCLOSED WITHOUT THE WRITTEN APPROVAL OF BEL FUSE INC.

SUGGESTED PANEL OPENING

PRELIMINARY



NOTE:

THE DISTANCE OF PANEL INSIDE SURFACE RELATIVE TO FRONT SURFACE OF PART IS ONLY A SUGGESTION. IN CASE THIS DISTANCE IS DIFFERENT, THE REQUIRED PANEL OPENING DIMENSIONS CHANGE ACCORDINGLY.

PACKING INFORMATION

PACKING TRAY : 0200-9999-F6 (TOP)  
0200-9999-F7 (BOTTOM)

PACKING QUANTITY : 40 PCS FINISHED GOODS PER TRAY  
10 TRAYS (400 PCS FINISHED GOODS) PER CARTON BOX

NOTE : CARDBOARDS ARE PLACED BETWEEN LAYERS OF PACKING TRAY INSIDE CARTON BOX  
(INCLUDE THE UPPERMOST AND LOWERMOST TRAY)

REV. : 1 PAGE : 5

ORIGINATED BY  
ANTON LIAO  
DATE 2023-01-18  
DRAWN BY  
LI QUANKUN  
DATE 2023-01-18

TITLE  
2.5 Gigabit MagJack®  
PATENTED

PART NO. / DRAWING NO.  
0826-1X1T-JM-F  
FILE NAME  
0826-1X1T-JM-F\_1.DWG

STANDARD DIM. TOL. IN INCH	[ ] METRIC DIM. AS REF.
.X	UNIT : INCH [mm]
.XX	SCALE : N/A
.XXX	±0.005
	SIZE : A4

