

THE INFORMATION CONTAINED HEREIN IS CONSIDERED 'PROPRIETARY' TO BEL FUSE, INC. AND SHALL NOT BE COPIED, REPRODUCED OR DISCLOSED WITHOUT THE WRITTEN APPROVAL OF BEL FUSE, INC.

LED POLARITY			
PIN 9	PIN 10	PIN 11	COLOR
-	+	-	GREEN
-	+	-	YELLOW

ELECTRICAL CHARACTERISTICS @ 25°C

1CT : 1CT ±3%

DC CL @ 0.1V, 100KHZ

8mA DC BIAS

INSERTION LOSS

100KHZ TO 100MHZ

RETURN LOSS (MIN.)

1MHZ-30MHZ

60MHZ-80MHZ

CM TO CM REJ

100kHz - 100MHZ

CM TO DM REJ

100kHz - 100MHZ

XTALK

100KHZ TO 100MHZ

HIPDT (Isolation Voltage):

100% OF PRODUCTION TESTED TO COMPLY WITH

IEEE 802.3 ISOLATION REQUIREMENTS.

OPERATING TEMPERATURE: -40°C TO 85°C

LED

V_F (FORWARD VOLTAGE)

IF=20mA GREEN 2.2V TYP.

YELLOW 2.1V TYP.

AD (DOMINANT WAVELENGTH)

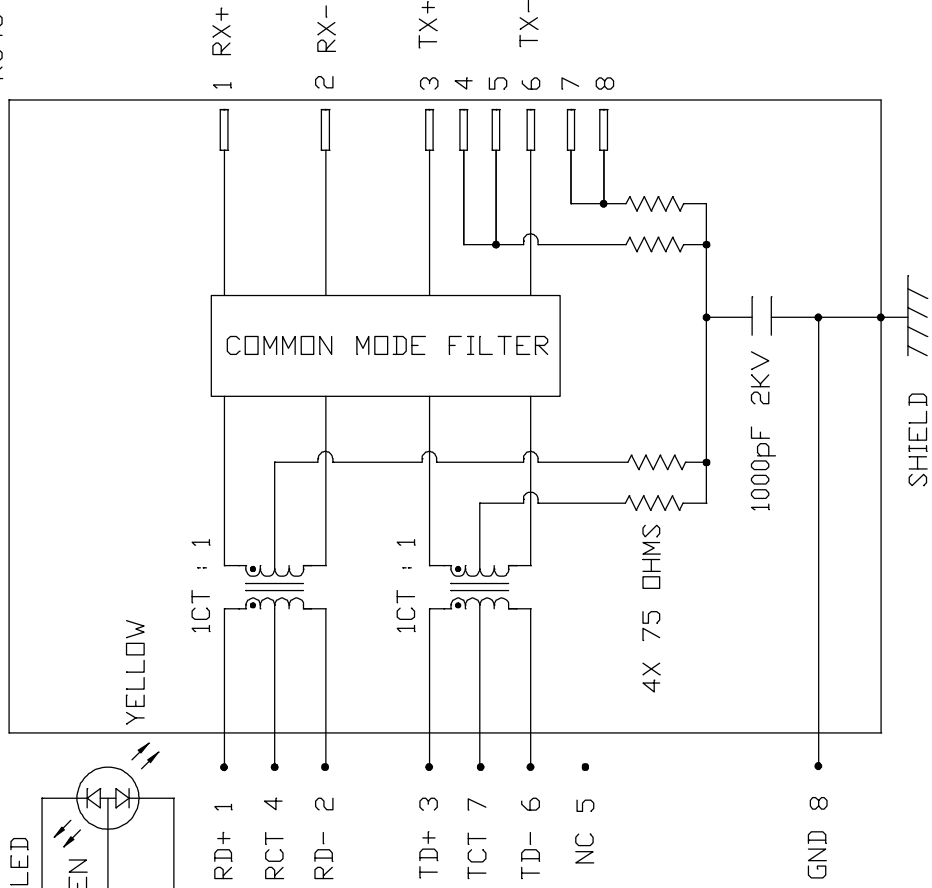
IF=20mA GREEN 570nm TYP.

YELLOW 590nm TYP.



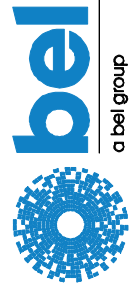
RJ45

SCHEMATIC



REV. : D PAGE : 2

ORIGINATED BY CHOW WANCHUNG		PART NO. / DRAWING NO. 08102H4R-BG-F		STANDARD DIM. TOL. IN INCH		[] METRIC DIM. AS REF.	
DATE 2019-09-23		FILE NAME 08102H4R-BG-F		.X		UNIT : INCH [mm]	
DRAWN BY XIE YIMING		810-2H4R-BG-F		.XX		SCALE : N/A	
DATE 2019-09-23				.XXX		SIZE : A4	

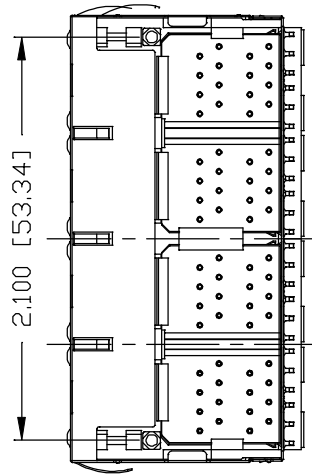
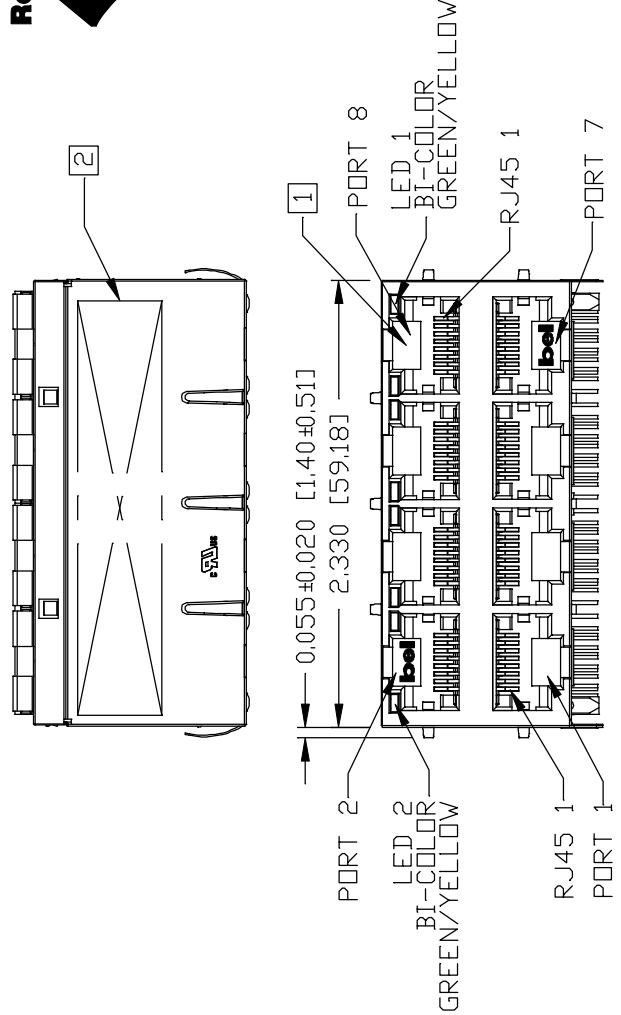
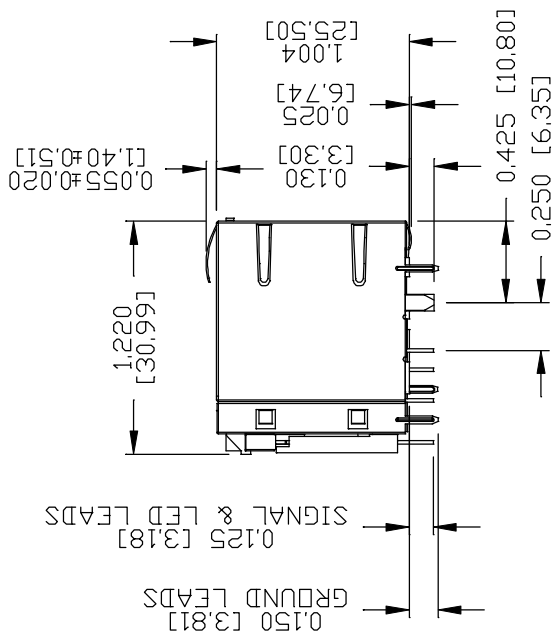


MAGNETIC SOLUTIONS
a bel group

This document is electronically generated. This is a controlled copy if used internally

DC002(2)120214

THE INFORMATION CONTAINED HEREIN IS CONSIDERED 'PROPRIETARY' TO BEL FUSE, INC. AND SHALL NOT BE COPIED, REPRODUCED OR DISCLOSED WITHOUT THE WRITTEN APPROVAL OF BEL FUSE, INC.



NOTES:

- 1. JACK CAVITY CONFORMS TO FCC RULES AND REGULATIONS, PART 68 SUBPART F.
- 2. MARK PART WITH MFG LOGO, MFG NAME, PART NUMBER AND DATE CODE.
- 3. THE PRODUCT IS RoHS COMPLIANT.
- 4. THE PART IS RECOMMENDED FOR WAVE SOLDERING. THE SUGGESTED PEAK WAVE SOLDERING CONDITION IS 260°C MAX AND 10 SECONDS MAX.

PLASTIC HOUSING: THERMOPLASTIC PBT, BLACK
 FLAMMABILITY RATING UL 94V-0
 CONTACT PLATING: 30 MICRO-INCH HARD GOLD PLATING OR EQUIVALENT.
 OUTPUT PINS: TIN-COATED COPPER WIRE, DIA 0.018 INCH,
 100 MICRO-INCH MIN MATTE TIN, PINS ARE SOLDER DIPPED,
 NICKEL PLATED ON COPPER ALLOY.
 METAL SHIELD: (ALL GROUND LEADS ARE SOLDER DIPPED)

cus UL RECOGNIZED - FILE #E196366 AND E169987.

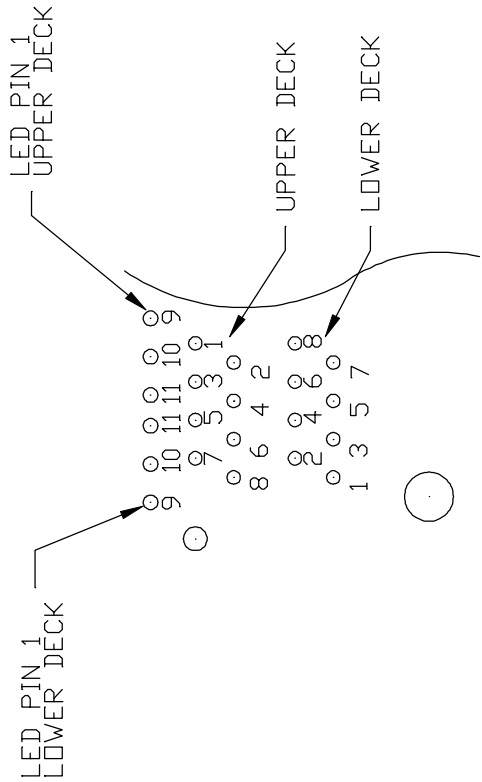
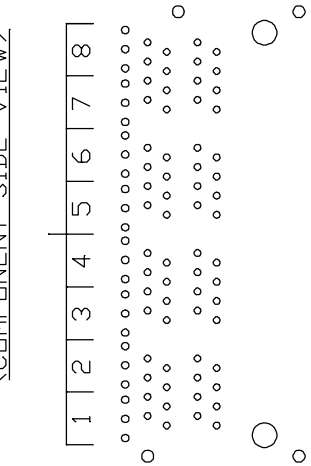
ORIGINATED BY SANDY LIN DATE 2019-09-23 DRAWN BY RUAN WENJUN DATE 2019-09-23		TITLE 2X4 MagJack® WITH LED (Ext. Temp of -28) 0810-2H4R-BG-F		PART NO. / DRAWING NO. 08102H4RBG-F FILE NAME 08102H4RBG-F_D.DWG		STANDARD DIM. TOL. IN INCH .X .XX .XXX		[] METRIC DIM. AS REF.	
		UNIT : INCH [mm] SCALE : N/A		±0.010 SIZE : A4		REV. : D		PAGE : 3	
						MAGNETIC SOLUTIONS a bel group			

This document is electronically generated. This is a controlled copy if used internally

THE INFORMATION CONTAINED HEREIN IS CONSIDERED PROPRIETARY TO BEL FUSE INC. AND SHALL NOT BE COPIED, REPRODUCED OR DISCLOSED WITHOUT THE WRITTEN APPROVAL OF BEL FUSE INC.

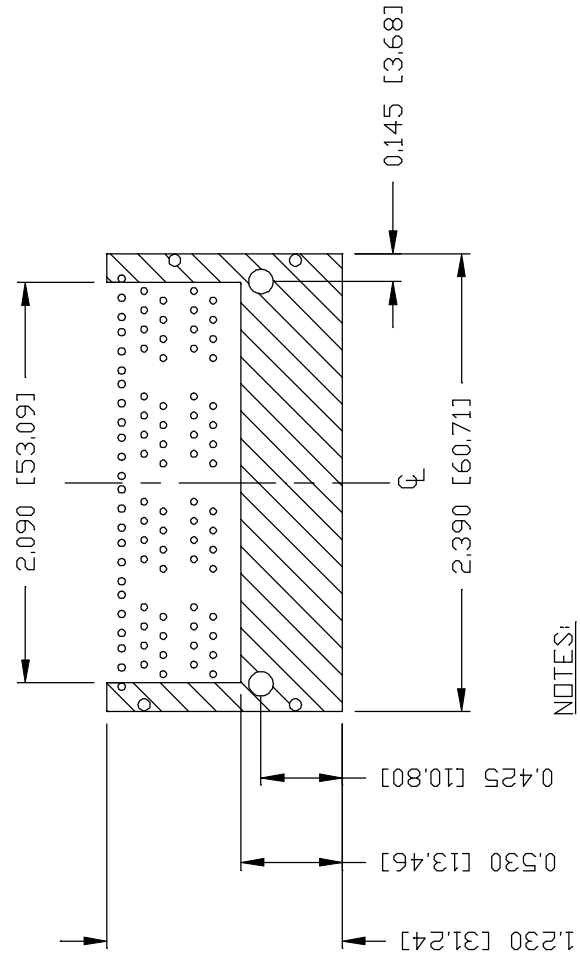


PORT ASSIGNMENT
(COMPONENT SIDE VIEW2)



PIN-OUT INFORMATION
(COMPONENT SIDE VIEW2)

11	YELLOW LED CATHODE
10	COMMON ANODE
9	GREEN LED CATHODE
8	GND
7	TCT
6	TD-
5	NC
4	RCT
3	TD+
2	RD-
1	RD+



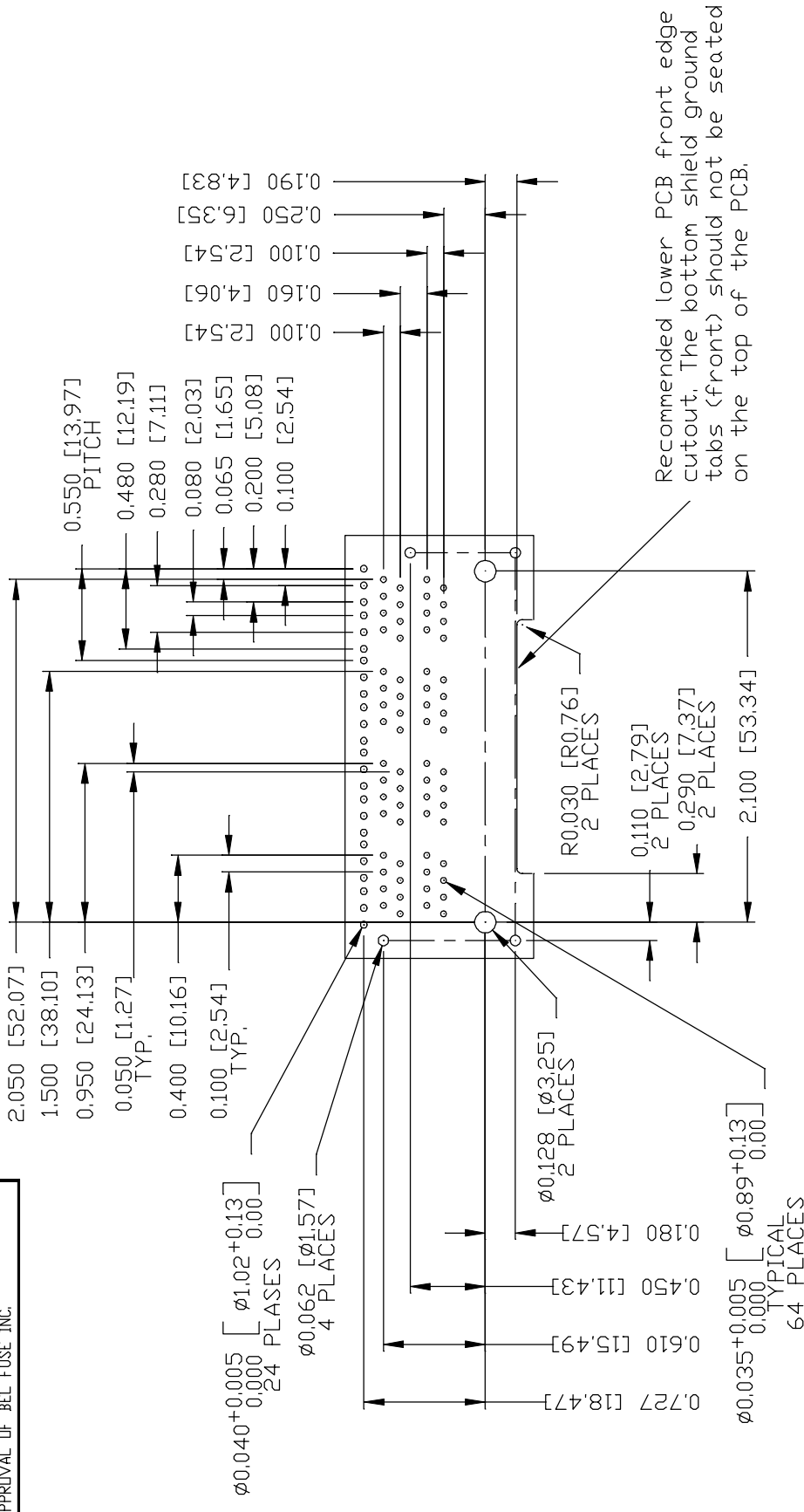
NOTES:

THE SHADED AREA ON THE CUSTOMER BOARD ARE RECOMMENDED TO BE CLEAR OFF ANY VIA HOLE OR COMPONENT PAD.

REV. : D	PAGE : 4
STANDARD DIM. [] METRIC DIM. AS REF.	
TOL. IN INCH	UNIT : INCH [mm]
.X	SCALE : N/A
.XX	SIZE : A4
.XXX	
PART NO. / DRAWING NO.	08102H4RBG-F
FILE NAME	08102H4RBG-F_D.DWG
TITLE	2X4 MagJack® WITH LED (Ext. Temp of -28) 0810-2H4R-BG-F
ORIGINATED BY	SANDY LIN
DATE	2019-09-23
DRAWN BY	RUAN WENJUN
DATE	2019-09-23

This document is electronically generated. This is a controlled copy if used internally

THE INFORMATION CONTAINED HEREIN IS CONSIDERED "PROPRIETARY" TO BEL FUSE INC. AND SHALL NOT BE COPIED, REPRODUCED OR DISCLOSED WITHOUT THE WRITTEN APPROVAL OF BEL FUSE INC.



SUGGESTED FOOTPRINT FOR LOWER PCB
(COMPONENT SIDE VIEW)

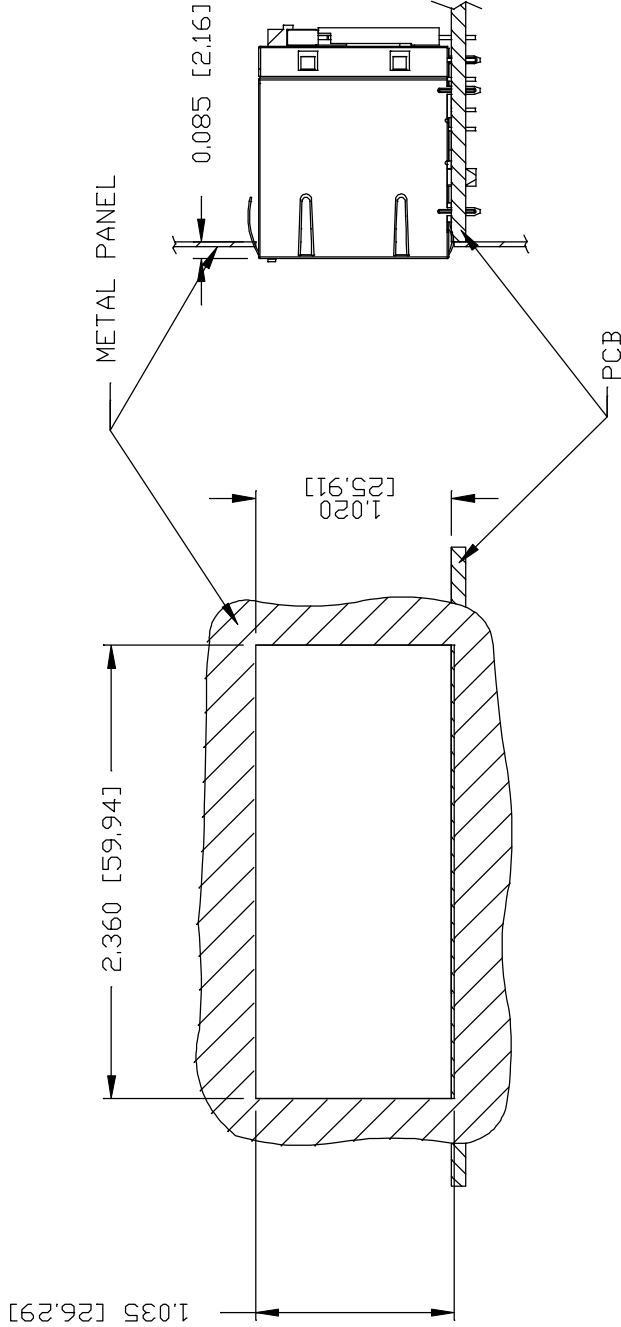
REV. : D		PAGE : 5	
ORIGINATED BY SANDY LIN	PART NO. / DRAWING NO. 08102H4RBG-F	STANDARD DIM. TOL. IN INCH	[] METRIC DIM. AS REF.
DATE 2019-09-23	FILE NAME 08102H4RBG-F_D.DWG	.X	UNIT : INCH [mm]
DRAWN BY RUAN WENJUN	(Ext. Temp of -28) 0810-2H4R-BG-F	.XX	SCALE : N/A
DATE 2019-09-23		.XXX	SIZE : A4
 a bel group			

This document is electronically generated. This is a controlled copy if used internally

THE INFORMATION CONTAINED HEREIN IS CONSIDERED 'PROPRIETARY' TO BEL FUSE, INC. AND SHALL NOT BE COPIED, REPRODUCED OR DISCLOSED WITHOUT THE WRITTEN APPROVAL OF BEL FUSE, INC.



SUGGESTED PANEL OPENING



NOTES:

THE DISTANCE OF PANEL INSIDE SURFACE RELATIVE TO FRONT SURFACE OF PART IS ONLY A SUGGESTION. IN CASE THIS DISTANCE IS DIFFERENT, THE REQUIRED PANEL OPENING DIMENSIONS CHANGE ACCORDINGLY.

PACKING INFORMATION

PACKING TRAY : 0200-9999-E7 (TOP)
0200-9999-E8 (BOTTOM)

PACKING QUANTITY : 20 PCS FINISHED GOODS PER TRAY
7 TRAYS (140 PCS FINISHED GOODS) PER CARTON BOX

NOTE : CARDBOARDS ARE PLACED BETWEEN LAYERS OF PACKING TRAY INSIDE CARTON BOX
(INCLUDE THE UPPERMOST AND LOWERMOST TRAY)

REV. : D		PAGE : 6	
ORIGINATED BY SANDY LIN DATE 2019-09-23 DRAWN BY RUAN WENJUN DATE 2019-09-23		TITLE 2X4 MagJack® WITH LED (Ext. Temp of -28) 0810-2H4R-BG-F	
PART NO. / DRAWING NO. 08102H4RBG-F FILE NAME 08102H4RBG-F_D.DWG		STANDARD DIM. TOL. IN INCH .X .XX .XXX	
[] METRIC DIM. AS REF. UNIT : INCH [mm] SCALE : N/A SIZE : A4		#0.005	



This document is electronically generated. This is a controlled copy if used internally

DC002(2)120214