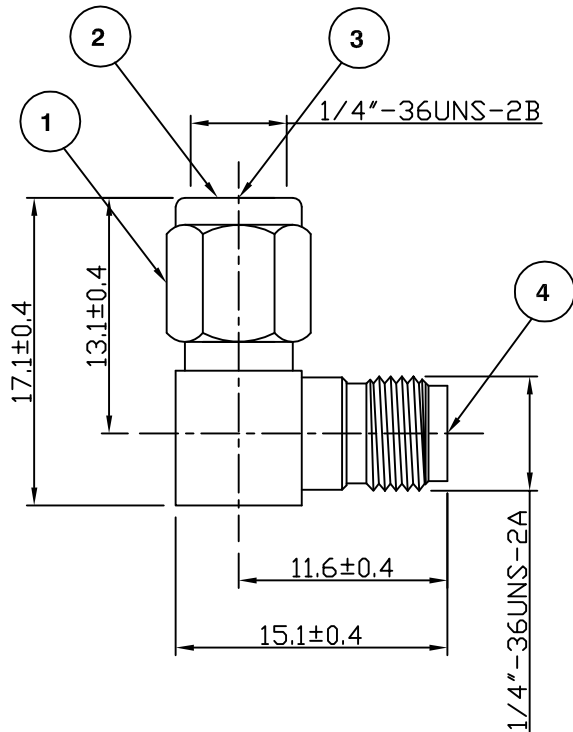


RoHS COMPLIANT



Electrical Characteristics

Nominal Impedance: 50 ohms
 Frequency Range: DC to 18 GHz
 VSWR: 1.05+0.005f
 Operating Voltage (rms): 500 V maximum at sea level
 Dielectric Withstand Voltage (rms): 1000 V maximum at sea level
 Contact Resistance: 2.0 milliohms maximum
 Insulation Resistance: 5000 megohms minimum

Mechanical Characteristics

Mating Cycles: 500 cycles minimum
 Interface Dimensions: Conform to MIL-C-39012

Environmental Characteristics

Temperature Range: -65 °C to +165 °C

| | PART | DESCRIPTION |
|---|------------|-------------------------------|
| 1 | Body | Brass, nickel plated |
| 2 | Dielectric | PTFE |
| 3 | Contact | Brass, gold plated |
| 4 | Contact | Beryllium Copper, gold plated |

| | | | |
|-------------------------|-------|-----|-----------|
| Up Issue | SN | 3 | 30 Oct 03 |
| CAD Issue | SN | 2 | 26 Mar 03 |
| First Issue | AT | 1 | 03 Nov 98 |
| DESCRIPTION OF REVISION | APPVD | ISS | DATE |



Cinch Connectivity Solutions
 7-13 Russel Way,
 Widford Industrial Estate,
 Chelmsford,
 Essex, CM1 3AA, UK
 Tel: +44 (0) 1245 359515
 Fax: +44 (0) 1245 358938

SCALE: Not To Scale

DIMENSIONS: mm

TOLERANCES:
 ± 0.2mm unless
 otherwise stated

DRAWN BY:

S Nash

CHECKED BY:

P Couzens

APPROVED BY:

P Couzens

DATE:

30 Oct 03

TITLE:

SMA Right Angle Plug to
 Jack

PART NUMBER:

VSA107

PAGE: 1 of 1