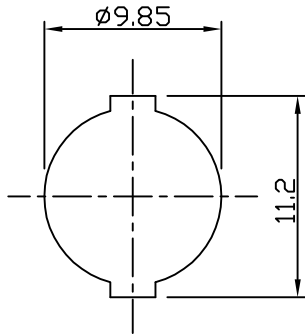
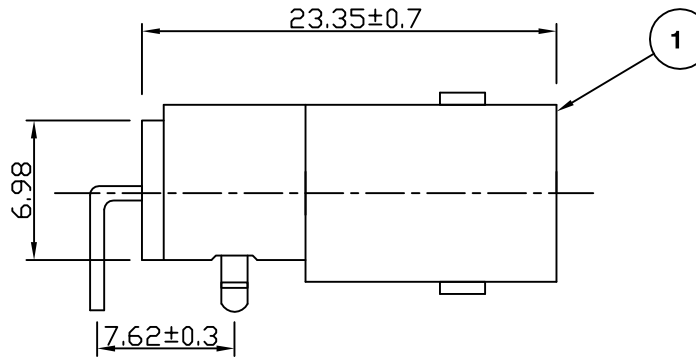
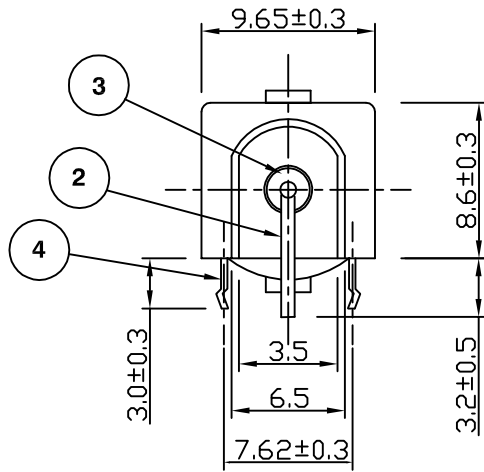
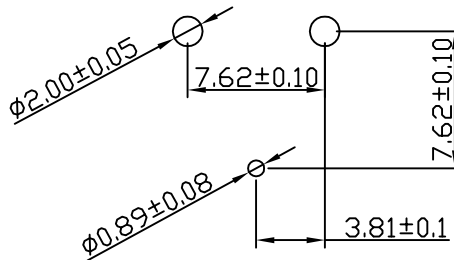


RoHS COMPLIANT



PANEL CUTOUT



PCB HOLE LAYOUT

Electrical Characteristics

Nominal Impedance:	50 ohms
Frequency Range:	DC to 4 GHz
Insertion Loss:	0.2 dB at 3 GHz
Operating Voltage (rms):	500 V maximum at sea level
Dielectric Withstand Voltage (rms):	1500 V maximum at sea level
Contact Resistance:	3.0 milliohms maximum
Insulation Resistance:	5000 megohms minimum

Mechanical Characteristics

Mating Cycles:	500 cycles minimum
Interface Dimensions:	Conform to MIL-C-39012

Environmental Characteristics

Temperature Range:	-55 °C to +85 °C
--------------------	------------------

PART	DESCRIPTION
1	Connector Body Nickel Plating Over Zinc Alloy
2	Center Contact Phosphorus Bronze With Gold Plating At Contact Area, Tin Plating At Tail & Nickel Plating All Over
3	Instulator Polupropylene (UL-94HB)
4	Mounting Post Tin Plating Over Brass >5 Microns

DESCRIPTION OF REVISION	APPVD	ISS	DATE
Drawing update	JT	3	10 May 10
Checked And Updated	KA	2	14 Mar 08
CAD Issue	PDC	1	03 Jul 02
Adjusted	DH	B	29 July 97
First Issue	DH	A	25 July 97



Cinch Connectivity Solutions
7-13 Russel Way,
Widford Industrial Estate,
Chelmsford, Essex,
CM1 3AA, UK.
Tel: +44 (0) 1245 359515
Fax: +44 (0) 1245 358938

SCALE: Not To Scale

DIMENSIONS: mm

TOLERANCES:
± 0.2mm unless
otherwise stated

DRAWN BY: P D Couzens

CHECKED BY: S Nash

APPROVED BY: P D Couzens

DATE: 03 Jul 02

TITLE:
Shielded BNC Right Angle
PCB Mount Jack Low Profile

PART NUMBER:

VBM221

PAGE: 1 of 1