

DATA CONTAINED IN THIS DOCUMENT IS PROPRIETARY TO TROMPETER ELECTRONICS, INC. AND SHALL NOT BE DISCLOSED, REPRODUCED, OR FOR REPRODUCTION OR MANUFACTURE WITHOUT EXPRESS WRITTEN PERMISSION.

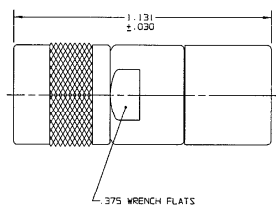
REV ECD		REVISIONS		DESCRIPTION		3-0029		SH 1	
REV	ECD	NO	DATE	BY	APP	DATE	DATE	DATE	DATE
M	13543	1							
		2							
		3							

DASH NO	DESCRIPTION
-1	TERM (NO CHAIN)
-2	TERM WITH 2.5 BRASS CHAIN
-3	TERM WITH 2.5 NYLON CHAIN
-4	TERM WITH 3.0 BRASS CHAIN
-5	TERM WITH 3.0 NYLON CHAIN
-6	TERM WITH 6.0 BRASS CHAIN
-7	TERM WITH 6.0 NYLON CHAIN
-8	TERM WITH 4.0 BRASS CHAIN
-9	TERM WITH 4.0 NYLON CHAIN
-10	TERM WITH 10.0 BRASS CHAIN
-11	TERM WITH 10.0 NYLON CHAIN
-12	TERM WITH 2.5 SST ROPE
-13	TERM WITH 3.0 SST ROPE
-14	TERM WITH 6.0 SST ROPE
-15	TERM WITH 4.0 SST ROPE
-16	TERM WITH 7.5 SST ROPE
-17	TERM WITH 4.5 SST ROPE

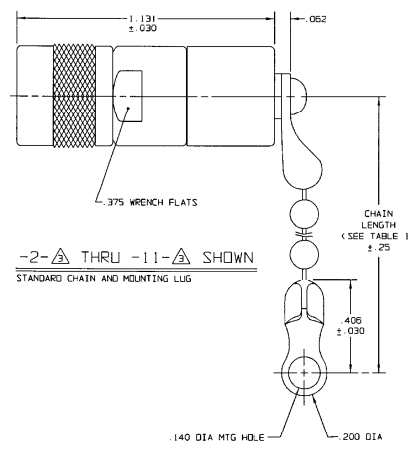
DASH NO	"A" DIA	"B" DIA	"C" DIM	"D" DIM
-02	.630	.750	1.066	.450
-03	.505	.625	.941	.388
-04	.439	.562	.878	.355
-05	.380	.500	.815	.325
-06	.317	.437	.753	.295
-07	.281	.408	.722	.278
-08	.610	.750	1.066	.450
-09	.567	.687	1.003	.419
-008	.330	.450	.786	.300

INCH	MM	INCH	MM	INCH	MM	INCH	MM	INCH	MM
.005	0.13	.290	7.37	.406	10.31	.567	14.40	.878	22.30
.010	0.25	.295	7.40	.410	10.41	.610	15.49	.941	23.90
.030	0.76	.300	7.62	.437	11.10	.625	15.88	1.003	25.48
.032	0.81	.317	8.05	.439	11.15	.630	16.00	1.066	27.08
.062	1.57	.325	8.25	.450	11.43	.687	17.45	1.131	28.73
.140	3.56	.330	8.38	.460	11.68	.722	18.34	2.5	63.50
.200	5.08	.355	9.02	.500	12.70	.750	19.05	3.0	76.20
.25	6.35	.375	9.53	.505	12.83	.753	19.13	4.0	101.60
.278	7.06	.380	9.65	.56	14.22	.786	19.46	4.5	114.30
.281	7.14	.388	9.86	.562	14.27	.816	20.73	6.0	152.40

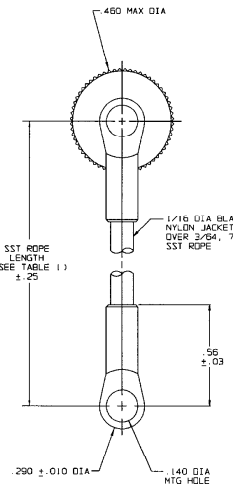
RED INDICATES ORIGINAL



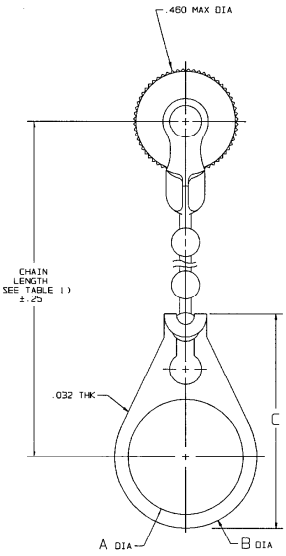
-1- **△** SHOWN
NO CHAIN STAINLESS STEEL ROPE OR MOUNTING LUG



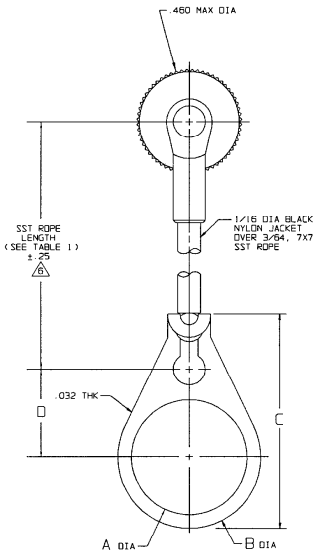
-2- **△** THRU -11- **△** SHOWN
STANDARD CHAIN AND MOUNTING LUG



-12- **△** THRU
-17- **△** SHOWN
STAINLESS STEEL ROPE AND MOUNTING LUG



-2- **△** -02 THRU
-11- **△** -008 SHOWN
STANDARD CHAIN AND BULKHEAD JACK MOUNTING LUG



-12- **△** -02 THRU
-17- **△** -008 SHOWN
STAINLESS STEEL ROPE AND BULKHEAD JACK MOUNTING LUG

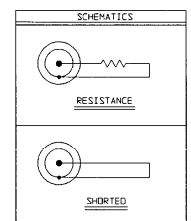
△ NOTE THAT LENGTH FOR SST ROPE WITH MOUNTING LUG OPTION IS NOT MEASURED TO CENTER OF BULKHEAD MOUNTING LUG

5. EXAMPLE OF COMPLETE MODEL NO:
TNGM1-1- **△** -02
BASIC MODEL NO: TNGM1-1- **△** -02
CHAIN MATL AND LENGTH (SEE TABLE 1)
BULKHEAD JACK MOUNTING LUG (OPTIONAL). AVAILABLE WITH BRASS, NYLON CHAIN AND SST ROPE. (SEE TABLE 2)

4. PIN CONTACT TRS SERIES CONCENTRIC TWINAX/TWINAX LUG SUBMINIATURE TERMINATED CABLE PLUG

△ RESISTANCE VALUE IN OHMS (1/8, 1/2, 1) * CONTACT SHORTED TO INNER SHIELD (NO RESISTOR) **△** * LOOSELY ASSEMBLED (NO RESISTOR)

2. FINISH: TFS-1A (NICKEL)
1. ALL DIM ARE IN INCHES



QTY	DESCRIPTION	PART NUMBER	ITEM
1	TRIAL 3 LUG SUBMINIATURE TERMINATED CABLE PLUG	TNGM1	
1	RESISTOR		
1	SHORTED		

TROMPETER ELECTRONICS, INC.
MATERIAL: 14949
DRAWING NO: 3-0029
REV: M
DATE: 8-11-78
SCALE: 4/1
SHEET: 1C