

RED INDICATES ORIGINAL

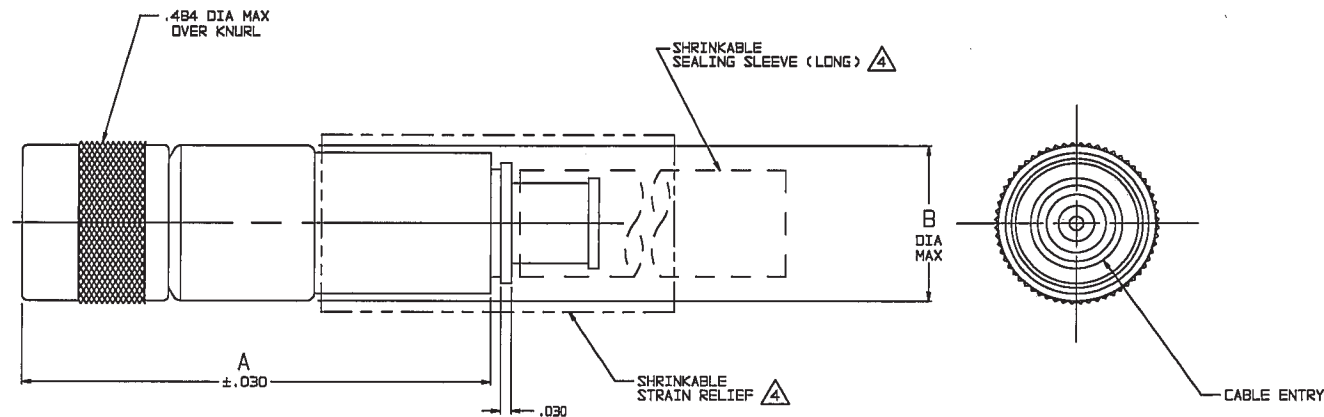
DASH NO	CABLES ACCOMMODATED	A DIM	B DIA	C HEX	ASSEMBLE PER
-201	M17/176-00002	1.116	.339	.255	TAI-143
-202	TWC-78-1				
-203	TWC-124-1A				
-204	10602, RAYCHEM				
-205	TWAC-78-1F2	1.322	.442	.344	TAI-143
-206	782600130, RAYCHEM				
-207	83310 BELDEN				
-208	202-3927 MICRODOT				
-209	202-3942 MICRODOT	1.116	.339	.255	TAI-143
-210	8451 BELDEN				
-211	202-3934 MICRODOT				
-212	2524E0114, RAYCHEM				
-213	TWC-78-2	1.322	.442	.344	TAI-144
-214	TWC-124-2				
-215	BL-982 TIMES				
-216	BL-1242 TIMES				
-217	GCB75TM24H, GRUMMAN	1.116	.339	.255	TAI-143
-218	EPD 22188B, RAYCHEM				
-219	2528D1114, RAYCHEM				
-220	GCB75RR1, GRUMMAN				
-221	10614, RAYCHEM	1.322	.442	.344	TAI-144
-222	10613, RAYCHEM				
-223	HMS2-1149, HUGHES				
-224	TWCP-124-3				
-225	PS66SPL, PRIME STOCK				

DATA CONTAINED IN THIS DOCUMENT IS PROPRIETARY TO TROMPETER ELECTRONICS INC. AND SHALL NOT BE DISCLOSED, COPIED OR USED FOR PROCUREMENT OR MANUFACTURE WITHOUT EXPRESS WRITTEN PERMISSION.

REVISIONS			310-0060	SH 1	
REV	ED	DESCRIPTION	OWN	APPROVED	DATE
L	12321	ADDED -224 & -225; SEE ECO	DBN	<i>DBN</i>	<i>2/2/98</i>

DASH NO	CABLES ACCOMMODATED	A DIM	B DIA	C HEX	ASSEMBLE PER
-301	GCB75GC1, GRUMMAN	1.116	.339	.255	TAI-153
-302	GCB75GB1, GRUMMAN				
-303	5022E5111, RAYCHEM				
-304	7528A5314, RAYCHEM				
-305	M17/177-00001	1.322	.442	.344	TAI-173
-306	295-3804 MICRODOT				
-307	TRC-50-2				
-308	M17/134-00002				
-309	TRC-75-1	1.116	.339	.255	TAI-153
-308	TRC-75-2				
-309	TRC-50-1				

INCH	MM
.005	0.13
.030	0.76
.255	6.48
.339	8.61
.344	8.74
.442	11.23
.484	12.29
1.00	25.40
1.116	28.35
1.25	31.75
1.322	33.58
1.75	44.45



-207 SHOWN

- 4** 1 SHRINKABLE STRAIN RELIEF AND/OR SHRINKABLE SEALING SLEEVE SUPPLIED LOOSE AS FOLLOWS:
- CABLE GROUPS -207, -210 & -307:
 - 1 SHRINKABLE STRAIN RELIEF (1.00 LONG)
 - 1 SHRINKABLE SEALING SLEEVE (1.25 LONG)
 - CABLE GROUPS -201 THROUGH -206, -208, -209, -217 THROUGH -303 & -309:
 - 1 SHRINKABLE SEALING SLEEVE (1.25 LONG)
 - CABLE GROUPS -211 THROUGH -216, -305, -306 & -308:
 - 1 SHRINKABLE STRAIN RELIEF (1.75 LONG)
3. 3-LUG SUBMINIATURE CONCENTRIC TWINAX (4 PIECE ASSY) AND TRIAX (6 PIECE ASSY), FULL CRIMP CABLE PLUG
2. FINISH: TFS-1A (NICKEL)
1. ALL DIM ARE IN INCHES

6. EXAMPLE OF COMPLETE MODEL NO:
 PL155AC -201
- BASIC MODEL NO. CABLE GROUP DASH NO
5. EXAMPLE OF COMPLETE PART NO:
 310-0060 -201
- BASIC PART NO CABLE GROUP DASH NO



QTY	DESCRIPTION	PART NUMBER	ITEM
TOL UNLESS SPECIFIED .XX ± .03 .XXX ± .005 .XXXX ± .0002 ANGLELESS	TROMPETER RF connectivity	PL155AC	
DWN	DBN 2/13/98	MATERIAL	CODE IDENT
CHK	DBN 2/23/98	14949	DRAWING NO.
ENGR		310-0060	REV
APPR	<i>DBN</i>	L	SCALE 4/1
NEXT ASSY		DATE 4-25-85	SHEET 1 OF 2