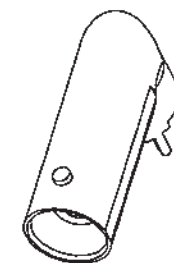
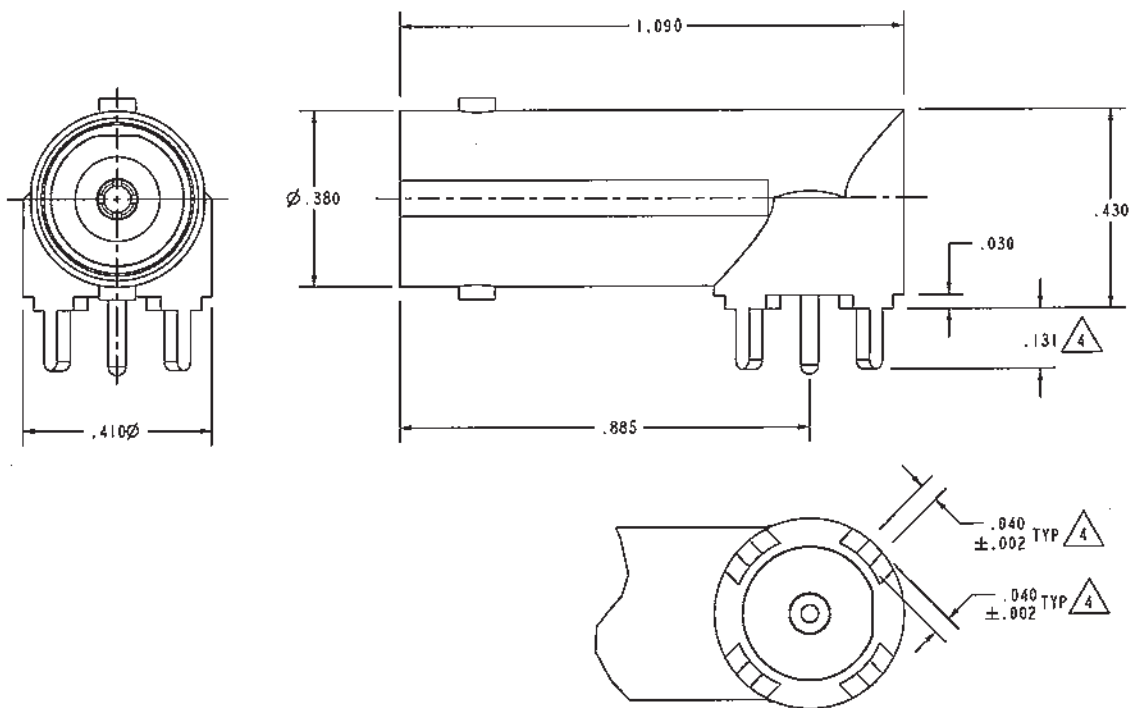


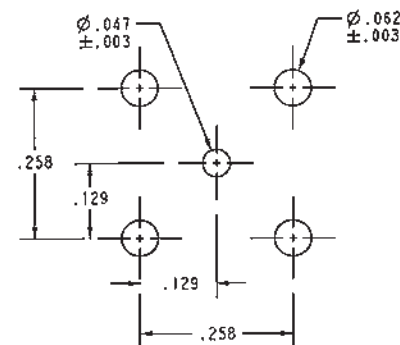
RED INDICATES ORIGINAL

DATA CONTAINED IN THIS DOCUMENT IS PROPRIETARY TO TROMPETER ELECTRONICS INC. AND SHALL NOT BE DISCLOSED, COPIED OR USED FOR PROCUREMENT OR MANUFACTURE WITHOUT EXPRESS WRITTEN PERMISSION

REVISIONS				1-0526	SH 1
REV	ECO NO.	DESCRIPTION	DWN	APPROVED	DATE
A		PRODUCTION RELEASE	AAH		



SCALE 2/1



4 DIMENSIONS INDICATED ARE BEFORE TIRING OF BODY LEGS WITH .0015 MAX THK, SM63 PER QQ-S-571 OR EQUIV TO WITHIN .060 OF SHOULDER

- FINISH: TFS-1A (NICKEL)
- 50 Ω CIRCUIT BOARD MOUNTED RIGHT ANGLE BNC RECEPTACLE
- ALL DIM ARE IN INCHES

QTY	DESCRIPTION		PART NUMBER		ITEM
TOL UNLESS SPECIFIED					
.XX	± .005				CBJR220
.XXX	± .002				
.XXXX	± .001				
ANGLE	± .002				
DWN	AAH	12-5-94	MATERIAL	CODE IDENT	DRAWING NO.
CHK	BM	12-13-94		14949	1-0526
ENGR					A
NEXT ASSY	APPR	BM	12/13/94	SCALE 4/1	DATE 12/13/94 SHEET 1 OF 2