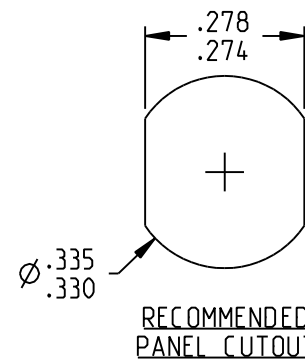
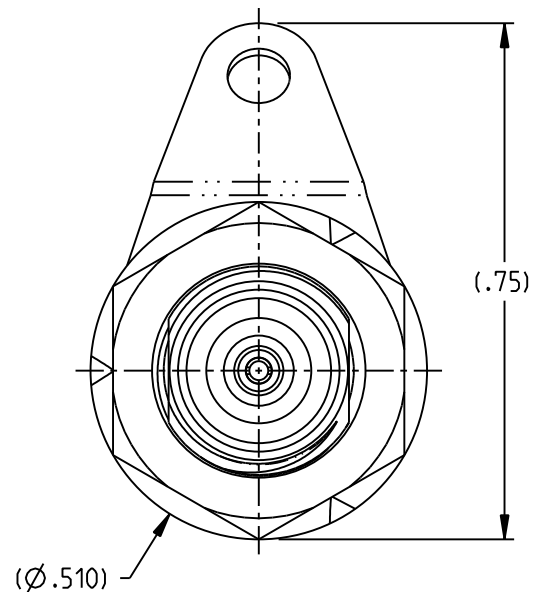
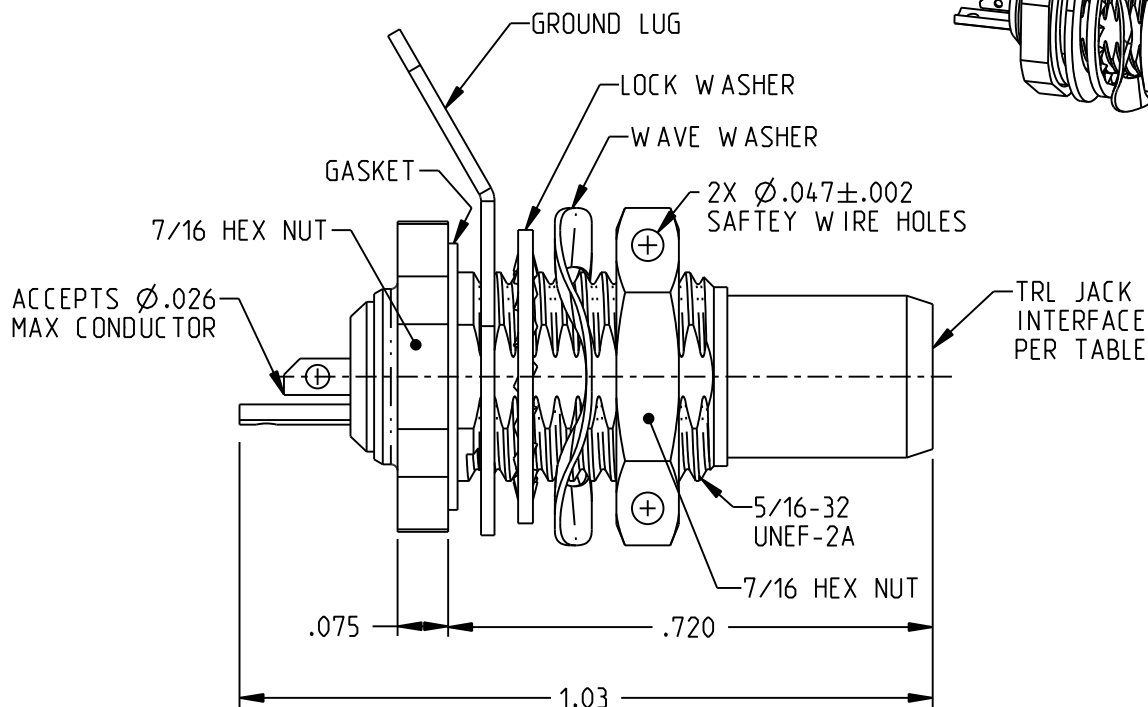
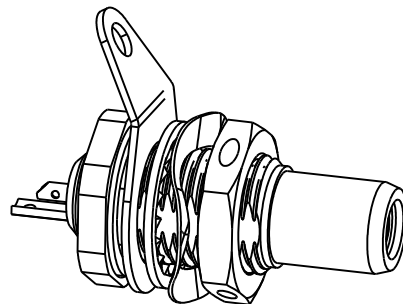


TROMPETER MODEL NUMBER	INTERMEDIATE CONTACT	CENTER CONTACT	TRL JACK INTERFACE PER
BJ3450P	PIN	SOCKET	SPC-09500-43-44
BJ3450S	SOCKET	PIN	SPC-09500-43-47



NOTES: UNLESS OTHERWISE SPECIFIED:

1. MATERIAL & FINISH:
 - 1.1 BODY: NICKEL PLATED BRASS
 - 1.2 INSULATOR: PTFE (TEFLON)
 - 1.3 INTERMEDIATE CONTACT: GOLD PLATED BERYLLIUM COPPER
 - 1.4 DIELECTRIC: POM (DELTRIN) OR PTFE (TEFLON)
 - 1.5 CENTER CONTACT: GOLD PLATED BERYLLIUM COPPER
 - 1.6 MOUNTING HARDWARE: NICKEL PLATED COPPER ALLOY

2. ELECTRICAL:
 - 2.1 FREQUENCY (MAX): 500 MHZ
 - 2.2 IMPEDANCE: NON-CONSTANT

3. PANEL NUT TORQUE (MAX): 20 INCH POUNDS

4. PANEL THICKNESS (MAX): .125
 4.1 WITH ONE WAVE WASHER OR ONE LOCKWASHER

		TROMPETER	
		Title: TRL BULKHEAD JACK, SOLDER POT	
<small>NOTICE: The information in this drawing is PROPRIETARY and must not be used without the permission of Cinch Connectivity Solutions. It may contain data whose export is restricted. Verify status prior to exporting.</small> <small>INTERPRET DRAWING IN ACCORDANCE WITH ASME Y14.5-2018</small>	RoHS2 <input checked="" type="checkbox"/> 2015/863/EU	Model No.	BJ3450X
	<small>UNLESS OTHERWISE SPECIFIED UNITS: INCH</small> .XX ±.02 .XXX ±.010 ANGLES ±2°	Size A DO NOT SCALE DRAWING	Date: 11/7/2022