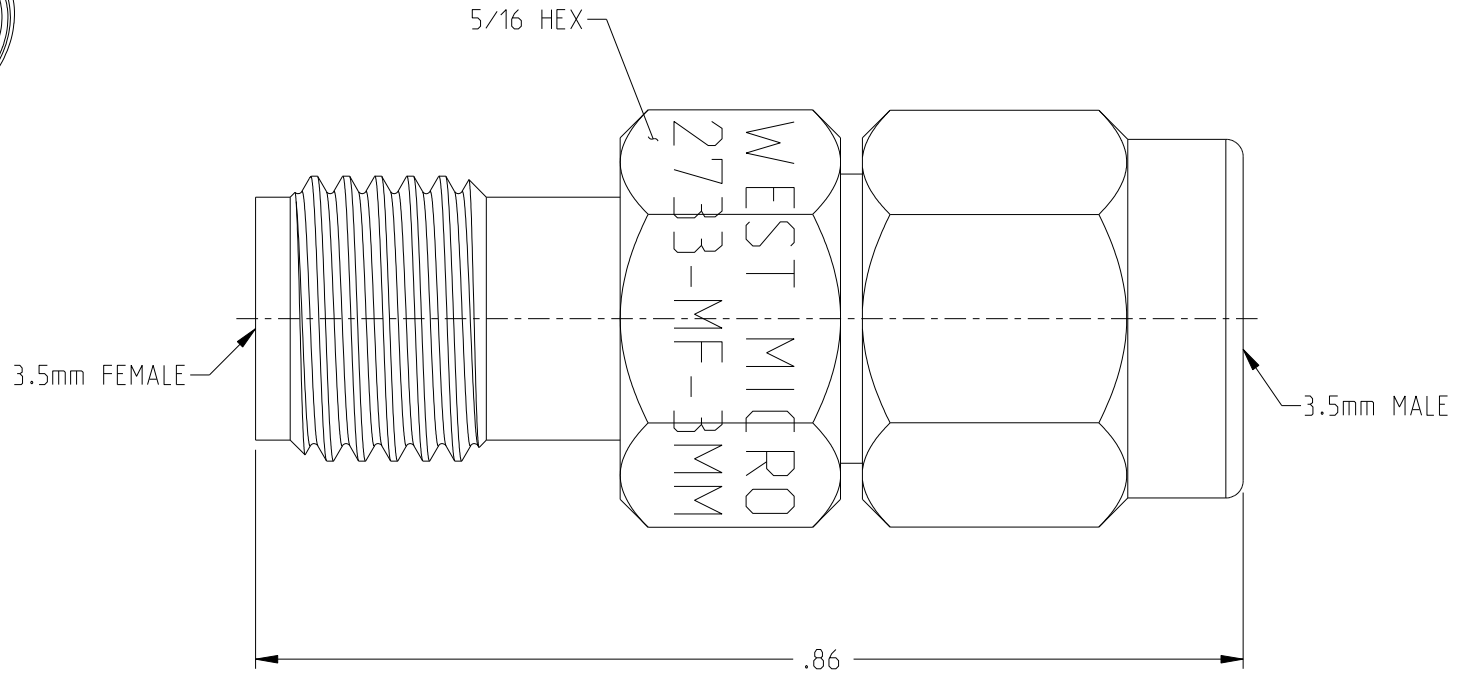
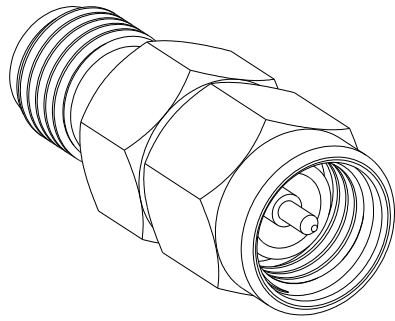


REV	ECO	DATE
E	23315	2/23/2011
F	57923	4/30/2021
G	58845	11/20/2023



NOTES: UNLESS OTHERWISE SPECIFIED.

1. MATERIAL & FINISH:

- 1.1 HOUSING & NUT: PASSIVATED STAINLESS STEEL
- 1.2 SUPPORT BEAD: ULTEM 1000
- 1.3 CENTER CONTACT: GOLD PLATED BERYLLIUM COPPER

2. SPECIFICATIONS:

- 2.1 FREQUENCY RANGE: DC-30.0 GHz
- 2.2 IMPEDANCE: 50 OHMS NOMINAL
- 2.3 VSWR (MAX)
 - 2.3.1 DC TO 20 GHz: 1.10:1
 - 2.3.2 20 TO 26.5 GHz: 1.15:1
- 2.4 TYPICAL VSWR FROM 26.5 TO 30.0 GHz: 1.20:1
- 2.5 OPERATING TEMP. RANGE: -65°C TO +125°C

<p>NOTICE: The information in this drawing is PROPRIETARY and must not be used without the permission of Cinch Connectivity Solutions. It may contain data whose export is restricted. Verify status prior to exporting.</p> <p>INTERPRET DRAWING IN ACCORDANCE WITH ASME Y14.5-2018</p>	<p>Model No:</p> <p>ADT-2733-MF-3MM-02</p>	<p>MIDWEST MICROWAVE</p>		
	<p>RoHS2 <input checked="" type="checkbox"/></p> <p>2011/65/EU</p>	<p>Cage Code</p> <p>34078</p>	<p>Title:</p> <p>3.5mm MALE TO FEMALE ADAPTER</p>	
	<p>UNLESS OTHERWISE SPECIFIED UNITS: INCH</p> <p>.XX ±.02</p> <p>.XXX ±.005</p> <p>ANGLES ±2°</p>	<p>3RD ANGLE PROJECTION</p> <p>ENGINEER:</p> <p>A. OSGA</p>	<p>Drawing No.</p> <p>ADT-2733-MF-3MM-02-01</p>	<p>REV.</p> <p>G</p>
	<p>Date:</p> <p>11/19/1992</p>	<p>Size</p> <p>A</p>	<p>DO NOT SCALE DRAWING</p>	<p>Workmanship Std:</p> <p>Sheet</p> <p>1 OF 1</p>