

REV	ECO	DATE
001	54616	4/29/2013
002	55642	4/28/2015

NOTES: UNLESS OTHERWISE SPECIFIED.

1. MATERIALS AND PLATING:

- 1.1 BODY: (142-0781-881) GOLD PLATED BRASS  
(142-0781-882) GOLD PLATED BRASS
- 1.2 INSULATOR: (142-0781-881) TEFLON  
(142-0781-882) TEFLON
- 1.3 CENTER CONTACT: (142-0781-881) GOLD PLATED BERYLLIUM COPPER  
(142-0781-882) GOLD PLATED BERYLLIUM COPPER  
EXPOSED CENTER PIN PRE-TINNED  
WITH SAC 305 SOLDER (96.5Sn/3.0Ag/.5Cu)

2. ELECTRICAL SPECIFICATIONS:

- 2.1 IMPEDANCE: 50 OHMS
- 2.2 FREQUENCY RANGE: 0-26.5 GHz
- 2.3 VSWR: 1.05+.02F(GHz) MAX AT 0-18 GHz, TYPICALLY < 1.50 AT 18-26.5 GHz
- 2.4 WORKING VOLTAGE: 170 VRMS MAX AT SEA LEVEL
- 2.5 DIELECTRIC WITHSTANDING VOLTAGE: 500 VRMS MIN AT SEAL LEVEL
- 2.6 INSULATION RESISTANCE: 1000 MEGOHMS MIN
- 2.7 CONTACT RESISTANCE: CENTER CONTACT - INITIAL 3.0 MILLIOHMS MAX,  
AFTER ENVIRONMENTAL - 4.0 MILLIOHMS MAX  
OUTER CONDUCTOR - INITIAL 2.0 MILLIOHMS MAX  
AFTER ENVIRONMENTAL - N/A
- 2.8 CORONA LEVEL: 125 VOLTS MIN AT 70,000 FEET
- 2.9 INSERTION LOSS: N/A (DEPENDANT UPON APPLICATION)
- 2.10 RF HIGH POTENTIAL WITHSTANDING VOLTAGE: 335 VRMS MIN AT 4 AND 7 MHz

3. MECHANICAL SPECIFICATIONS:

- 3.1 ENGAGEMENT/DISENGAGEMENT TORQUE: 2 INCH POUNDS MAX
- 3.2 MATING TORQUE: 7-10 INCH POUNDS WHEN SUPPORTED WITH WRENCH  
\*8 INCH-POUNDS MAX UNSUPPORTED
- 3.3 CONTACT RETENTION: 6 LBS MIN AXIAL FORCE  
4 OZ-IN MIN RADIAL TORQUE
- 3.4 DURABILITY: 500 CYCLES MIN

4. ENVIRONMENTAL SPECIFICATIONS:

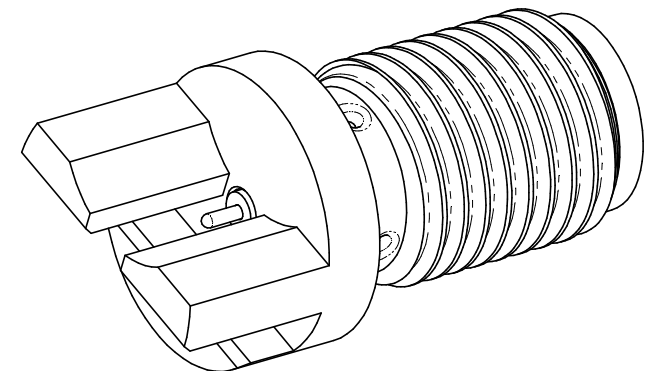
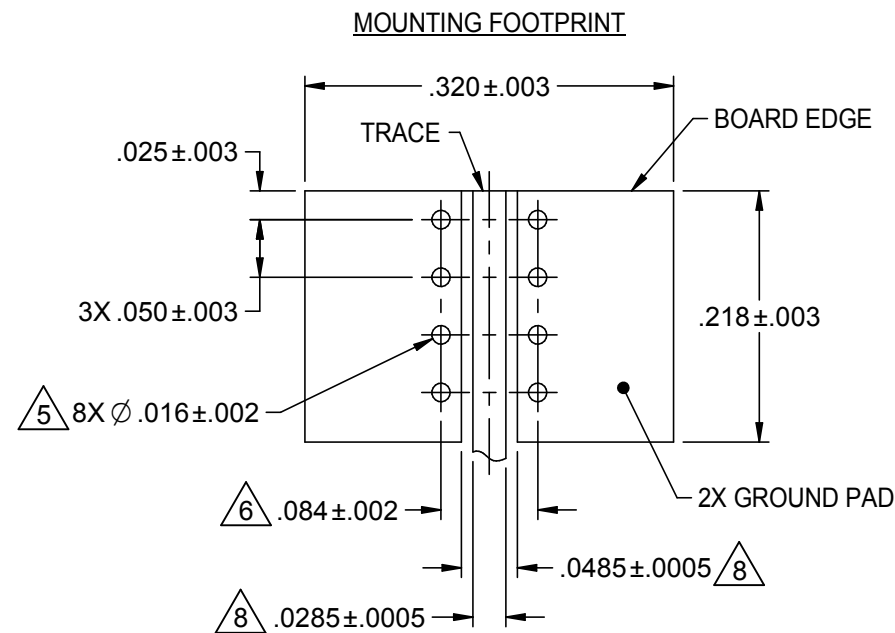
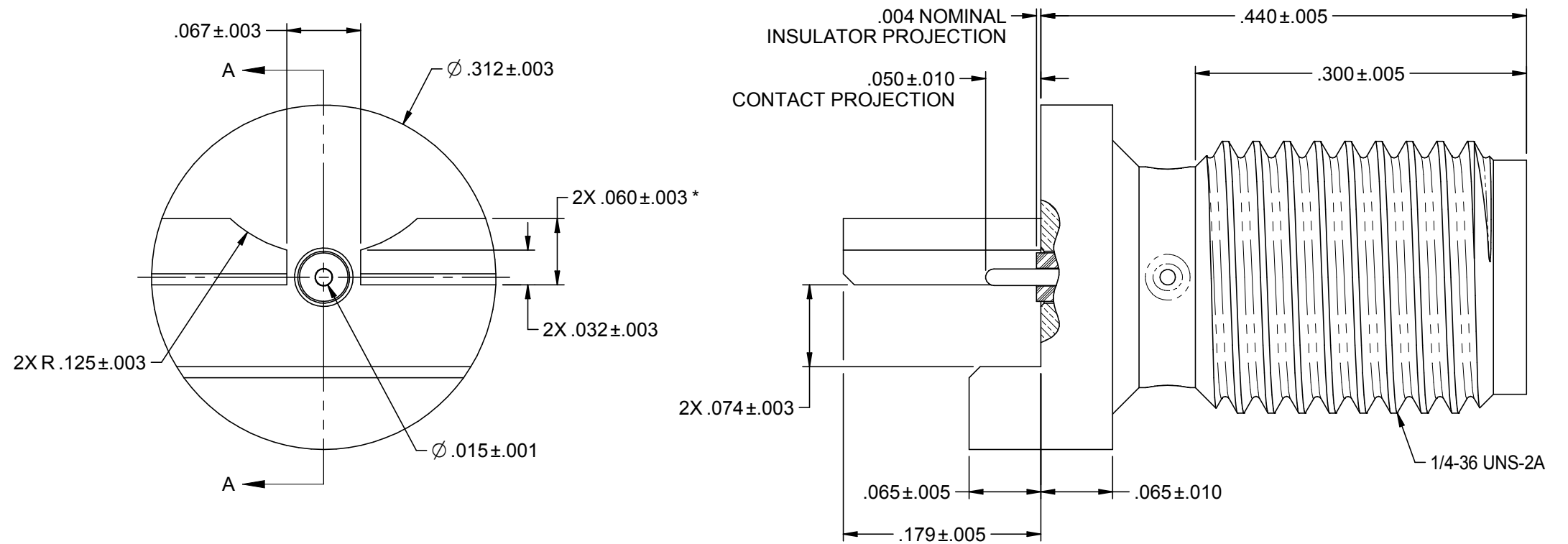
- 4.1 (MEETS OR EXCEEDS THE APPLICABLE PARAGRAPH OF MIL-PRF-39012)
- 4.2 THERMAL SHOCK: MIL-STS-202, METHOD 107, CONDITION B,
- 4.3 EXCEPT 115°C HIGH TEMP
- 4.5 OPERATING TEMPERATURE: -65°C TO 165°C
- 4.6 CORROSION: MIL-STD-202, METHOD 101, CONDITION B
- 4.7 SHOCK: MIL-STD-202, METHOD 213, CONDITION I
- 4.8 VIBERATION: MIL-STD-202, METHOD 204, CONDITION D
- 4.9 MOISTURE RESISTANCE: MIL-STD-202, METHOD 106

5. ALL HOLES PLATED THRU ENTIRE CIRCUIT BOARD STACKUP.

6. HOLE PATTERNS SYMMETRICAL ABOUT CENTER OF CPW TRACE.

7. FOR OPTIMUM CIRCUIT BOARD HIGH FREQUENCY PROFORMANCE:
- A. MAINTAIN SOLID GROUND PLANE BELOW HIGH FREQUENCY SUBSTRATE.
  - B. CONTROL PULLBACK OF TRACE AND GROUND FROM BOARD EDGE.
  - C. CONTINUE GROUNDED COPLANAR LINE BEYOND GROUND PADS.
  - D. PLACE 16 MIL DIA GROUND VIAS ON BOTH SIDES OF COPLANAR WAVEGUIDE LINE AT 50 MIL INTERVALS ALONG ENTIRE LENGTH.
  - E. IMMERSION GOLD PLATE (ENIG) ALL CONDUCTORS PER IPC-4552.

8. REFERENCE DIMENSIONS FOR 50 OHM GROUNDED CPW LINE, USING ROGERS R04003, 16 MIL HIGH FREQUENCY CIRCUIT BOARD SUBSTRATE:  
TRACE WIDTH - 28.5 MILS  
GROUND GAPS - 10 MILS  
CONDUCTOR THICKNESS - 1.4 MIL (INCLUDES PLATING)



<p>The PROPRIETARY Document is property of Emerson's Network Power Connectivity Solutions. It is confidential in nature, non-transferable, and shall remain the property of Emerson. It is not to be copied, reproduced, or disseminated without the prior written permission of Emerson. INTERPRET DRAWING IN ACCORDANCE WITH ASME Y14.5-2009</p>	Model No. 142-0781-881/890	Johnson	
	RoHS 2002/95/EC	Cage Code 34078	Title: HIGH FREQ END LAUNCH SMA BKHD JACK ASSEMBLY, EDGE MOUNT, 15 MIL PIN
	3RD ANGLE PROJECTION	Drawn by: M. Souriphong	Drawing No. 142-0781-881/890
	Date: 5/10/2013	Size B	DO NOT SCALE DRAWING
			Rev. 002
			Sheet 1 of 1