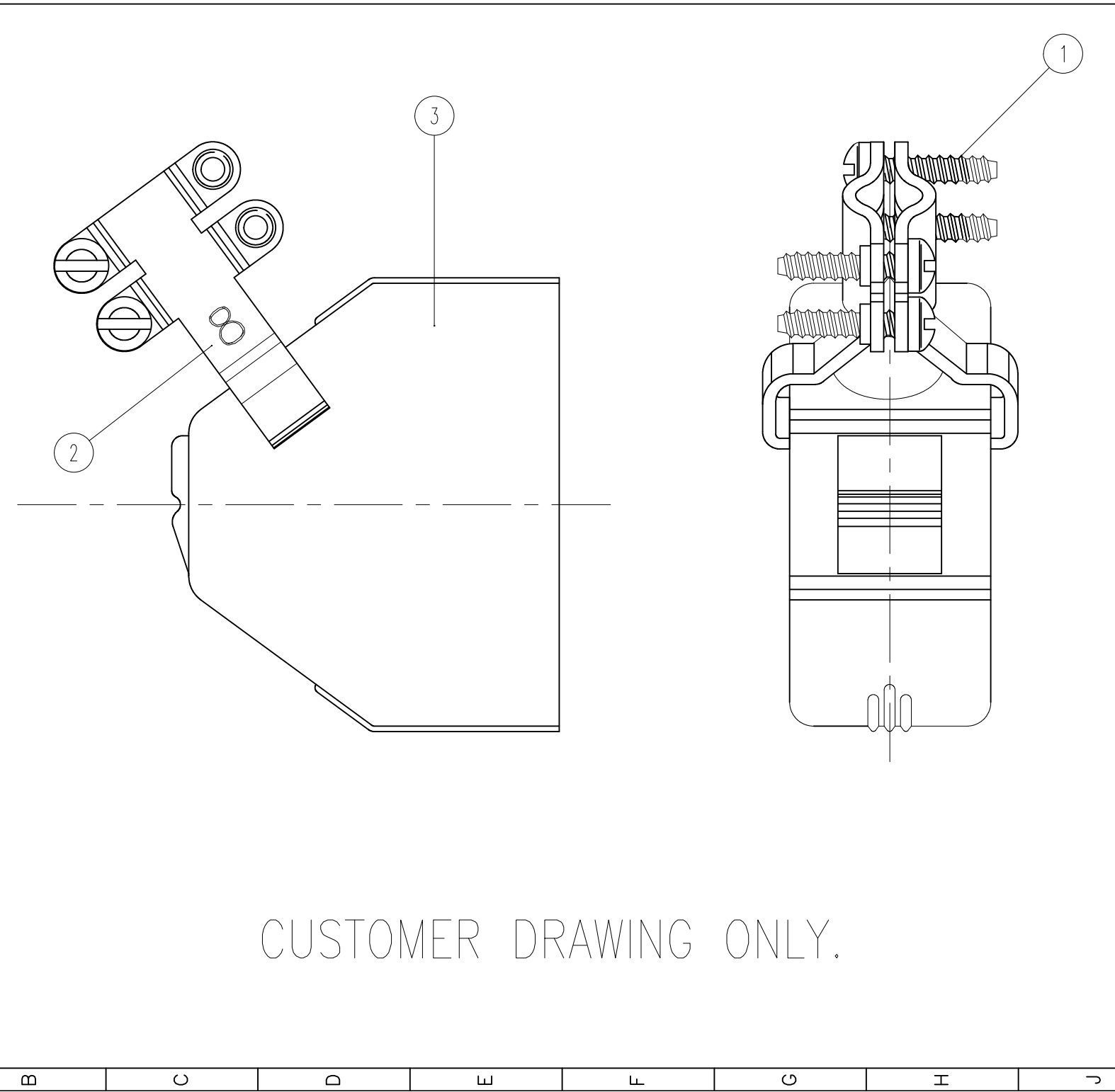


1	2	3	4	5	6	7
CINCH Connectors Ltd. WORKSOP, ENGLAND						
A				JA	83384 00	A0P R01
A				RELEVANT SPEC.		SHEET 1 OF 1
A				CAD No. P:R7683384 \		
A				IF IN DOUBT - ASK ALL DIMENSIONS ARE IN mm		



THIS DRAWING IS COPYRIGHT AND IS ISSUED ON CONDITION IT IS NOT COPIED, REPRODUCED OR DISCLOSED TO A THIRD PARTY, WITHOUT THE CONSENT IN WRITING OF CINCH CONNECTORS LTD. ATTENTION IS DRAWN TO THE FACT THAT THE ARTICLE DISCLOSED MAY BE COVERED BY BRITISH OR FOREIGN PATENTS, GRANTED OR PENDING OR REGISTERED DESIGN.

APP'D			DATE		9.9.80		A	
			MOD No.		R15308		B	
			SHELL CLEAR SCREW		1		A	
			2		2		B	
			3		3		A	
			4		4		B	
			FINISH		FINISH TREATMENT		FINISHED COLOUR	
CODE			DESCRIPTION		T _E M		No. OFF	
<p>GENERAL TOLERANCE</p> <p>2 DECIMAL PLACES ± 0.10</p> <p>1 DECIMAL PLACE ± 0.20</p> <p>NO DECIMAL PLACE ± 0.50</p> <p>ANGULAR ± 1°</p> <p>0.18 MAX TOOLING RAD.</p>								
<p>TITLE</p> <p>8 WAY MOULDED SHELL ASSEMBLY</p>								
DRN. D.J.POLLARD.			DATE 25.07.95		SCALE 2:1		CHD MB.	
RAW MATERIAL			MATERIAL SPEC.		APP'D GSF.			
FINISHED HARDNESS			FINISH TREATMENT		FINISHED COLOUR			