



Fibreco Senior 1080

Expanded Beam Connectors

The Cinch Advantage

The Senior 1080 hybrid fiber optic connector has been designed to incorporate all of the benefits of expanded beam technology and hermaphroditic coupling into a compact connector package suitable for the rigours of HD & SD TV outside broadcast applications.

The connector is compatible with standard SMPTE 311M composite fiber optic camera cable and meets the generic requirements of the SMPTE connector specification.

Our advanced expanded beam technology has been proven over many years in military, mining and offshore applications and is widely used in the Live Audio Industry. Unlike butt-contact type connectors, the fiber is fully sealed and protected behind a hard glass lens, preventing contamination and degradation of the fiber over the system life. No routine maintenance is necessary and cleaning is achieved simply by wiping the lenses - there are no moving parts, alignment sleeves or adaptors. Electrical contacts are standard MIL-C-39029 gold plated crimp contacts.



The Senior 1080 connector is available as a connector kit for customer termination or as terminated assemblies using SMPTE 311M camera cable. Assemblies can be supplied in custom lengths on a range of high quality steel AV cable reels.

The Senior 1080 expanded beam connectors offer unrivalled optical performance, superior reliability, durability and cost effectiveness for all TV outside broadcast applications.

Features

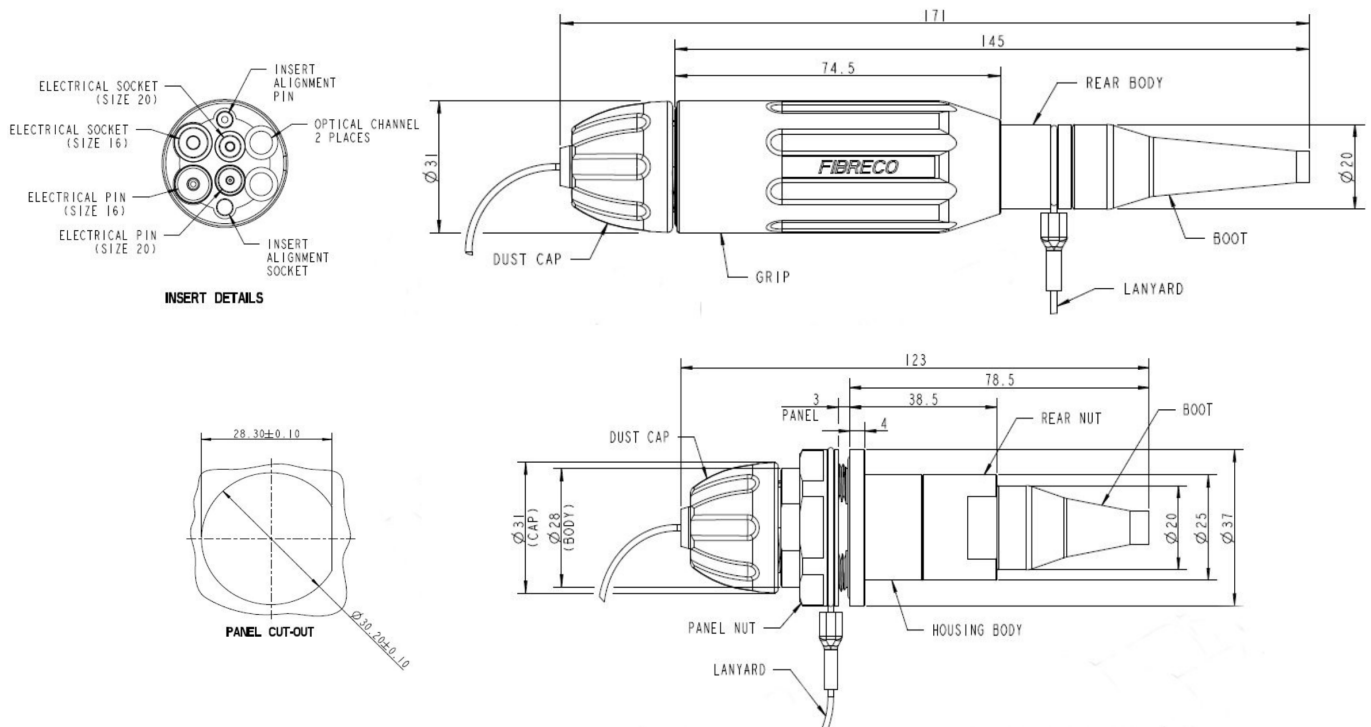
- SMPTE Compatible HD TV Connectors
- Two Singlemode Expanded Beam Optical Channels
- Two Size 20 Low Voltage Signal Contacts
- Two Size 16 Auxiliary Electrical Contacts
- Low Insertion Loss / High Return Loss
- Rugged Hermaphroditic Design - No Adaptors
- High Reliability / Durability

Outline Specification

Senior 1080 Expanded Beam Connector - Outline Specification

Insertion Loss	9/125 Fiber at 1310nm / 1550nm : Typical -1.0dB - Maximum -1.5dB*
Return Loss	> 32dB (typical 40dB) singlemode*
Electrical: Auxiliary Power Contacts	Size 16 MIL-C-39029. 600VAC.
Electrical: Signal Contacts	Size 20 MIL-C-39029. 42VAC.
Electrical: Test Voltage	Between contacts and contact / housing: 3000V / 50Hz, 1 minute EN61984
Durability	3000 Matings minimum
Operating Temperature	-40°C to +85°C
Storage Temperature	-55°C to +85°C
Water Immersion	1m (IP67)
Free Fall Resistance	500 Falls from 1.2m height
Vibration	10-500Hz, 3 directions, 0.75mm amplitude@ 10g acceleration
Bump	4000 bumps @ 40g acceleration
Crush Resistance	3kN
Corrosion Resistance	500 Hours Salt Spray
Cable Retention	1000N (Cable Dependant)
Weight (approx)	Plug: 150g / Bulkhead: 120g
Connector Shell Material / Color	Aluminum Black Anodised . Grip & boot: Black

*Measurements against reference—random mate performance in line with MIL-DTL-83526



Europe, Middle East, Africa
+44 (0)1371 873 334
CinchConnectivity@eu.cinch.com

North America
+1 507.833.8822
ccsorders@us.cinch.com
cinch.com