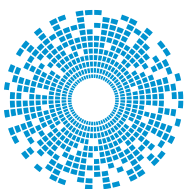


# Cinch Connectivity Solutions C-NTV Series

## D38999 Connector with PC Tail Contacts

### Superior Environmental Sealing

Cinch's C-NTV series D38999 connector, with PC Tail contacts, provides superior environmental sealing and displays excellent EMI/RFI characteristics.



**cinch**  
CONNECTIVITY SOLUTIONS  
a bel group



# Series C-NTV

Cinch's C-NTV series D38999 connector with pc tail contacts, are fully sealed and available in many different pc tail lengths and mounting styles.

- Available in Straight and Right Angle PC Tails
- Intermateable to MIL-C-38999, Series III Connectors
- Low Profile Designs Available
- Positively Aligned and Bonded within the Insert Eliminating Contact Float Alignment Problems, Minimizing True Hole Positioning Difficulties and Provides Environmental Sealing
- Made from Bar Stock Aluminum; Standard Surface Finishes such as Cadmium, Nickel, Anodize and Custom Finishes Contacts are Gold-Plated per MIL-G-45204 over Copper Alloy; Special Platings Available



## Applications

- Harsh Environment Connectivity
- Military Communication
- Railway
- Oil and Gas



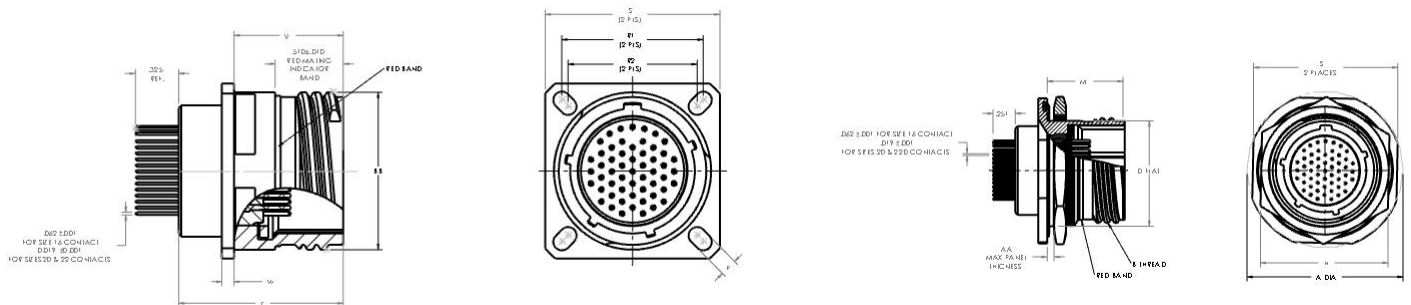
# Series C-NTV

## Box Mount Receptacle

SHELL SIZE	BB THREAD CLASS 2A 0.1P-0.3L-TS	P ±0.2 (±0.007)	R1	R2	S ±0.3 (±0.012)	V +0.00/-1.25 (+0.00/-0.05)	W	Z MAX
9	0.6250	30.2 (1.189)	18.26 (.719)	15.09 (.594)	23.8 (.937)	20.83 (.820)	2.5/2.1 (.098/.083)	31.5 (1.240)
11	0.7500	34.9 (1.374)	20.62 (.812)	18.26 (.719)	26.2 (1.031)	20.83 (.820)	2.5/2.1 (.098/.083)	31.5 (1.240)
13	0.8750	38.1 (1.500)	23.01 (.906)	20.62 (.812)	28.6 (1.126)	20.83 (.820)	2.5/2.1 (.098/.083)	31.5 (1.240)
15	1.0000	41.3 (1.626)	24.61 (.969)	23.01 (.906)	31.0 (1.220)	20.83 (.820)	2.5/2.1 (.098/.083)	31.5 (1.240)
17	1.1875	44.5 (1.752)	26.97 (1.062)	24.61 (.969)	33.3 (1.311)	20.83 (.820)	2.5/2.1 (.098/.083)	31.5 (1.240)
19	1.2500	49.2 (1.937)	29.36 (1.156)	26.97 (1.062)	36.5 (1.437)	20.83 (.820)	2.5/2.1 (.098/.083)	31.5 (1.240)
21	1.3750	52.4 (2.063)	31.75 (1.250)	29.36 (1.156)	39.7 (1.563)	20.07 (.790)	3.2/2.1 (.126/.083)	31.5 (1.240)
23	1.5000	55.6 (2.189)	34.93 (1.375)	31.75 (1.250)	42.9 (1.689)	20.07 (.790)	3.2/2.1 (.126/.083)	31.5 (1.240)
25	1.6250	58.7 (2.311)	38.10 (1.500)	34.93 (1.375)	46.0 (1.811)	20.07 (.790)	3.2/2.1 (.126/.083)	31.5 (1.240)

## Jam-Nut Dimensions

SHELL SIZE	A DIA ±0.3 (±0.012)	AA MAX. PANEL THICKNESS	B THREAD CLASS 2A 0.1P-0.3L-TS	H HEX ±0.4 (±.016)	M	MAX	S ±0.4 (±0.016)	D FLAT +0.1/-0.15 (+.004/-0.006)
9	30.2 (1.189)	3.175 (0.125)	0.6250	22.22 (0.875)	22.35 (0.880)	27.0 (1.063)	16.53 (.651)	
11	34.9 (1.374)	3.175 (0.125)	0.7500	25.4 (1.00)	22.35 (0.880)	31.8 (1.252)	19.07 (.751)	
13	38.1 (1.500)	3.175 (0.125)	0.8750	30.17 (1.188)	22.35 (0.880)	34.9 (1.374)	23.82 (.938)	
15	41.3 (1.626)	3.175 (0.125)	1.0000	33.32 (1.312)	22.35 (0.880)	38.1 (1.500)	26.97 (1.062)	
17	44.5 (1.752)	3.175 (0.125)	1.1875	36.52 (1.438)	22.35 (0.880)	41.3 (1.626)	30.15 (1.187)	
19	49.2 (1.937)	3.175 (0.125)	1.2500	39.67 (1.562)	22.35 (0.880)	46.0 (1.811)	33.32 (1.312)	
21	52.4 (2.063)	3.175 (0.125)	1.3750	42.87 (1.688)	22.35 (0.880)	49.2 (1.937)	36.50 (1.437)	
23	55.6 (2.189)	3.175 (0.125)	1.5000	46.02 (1.812)	22.35 (0.880)	52.4 (2.063)	36.67 (1.562)	
25	58.7 (2.311)	3.175 (0.125)	1.6250	50.8 (2.00)	22.35 (0.880)	55.6 (2.189)	42.85 (1.687)	





# How to Order C-NTV

<b>Series</b>	C-NTV	07	F	09-35	P	A	275	K123
Commerical 38999 Series III								
<b>Shell style</b>	02 -Box Mount 07 - Jam Nut							
<b>Service class</b>	F - Aluminum / Electroless Nickel Plating W - Aluminum / Cadmium with Olive Drab Chromate T - Aluminum / Nickel PTFE Z - Aluminum / Black Zinc Nickel							
<b>Shell size - Insert Arrangement</b>	See Separate Table							
<b>Contacts</b>	P - Pin S - Socket							
<b>Keying</b>	Normal - Omit, A, B, C A, B, C - See Separate Table							
<b>PC tail protrusion</b>	275 - 0.275 inch							
<b>Modification code</b>	Used for Any Special Modification Requested							



12400-8 S.W. 134th Court  
Miami, Florida 33186 USA

+1 305.234 1000  
inquiry@cinch.com  
[cinch.com](http://cinch.com)