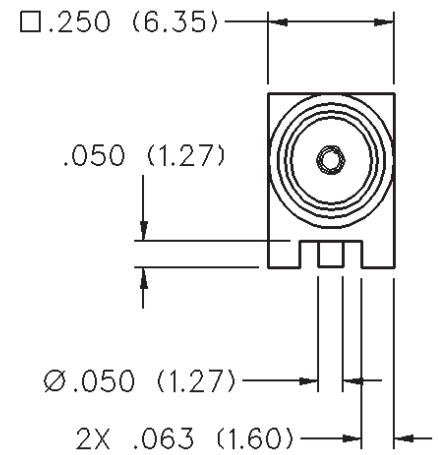
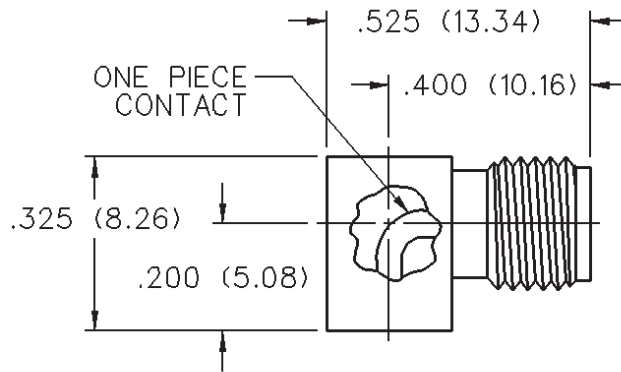


SMA 50 Ohm Right Angle Jack Receptacle - Surface Mount



INCHES (MILLIMETERS)
CUSTOMER DRAWINGS AVAILABLE UPON REQUEST



VSWR & FREQ. RANGE	GOLD PLATED	NICKEL PLATED	PACKAGING
VSWR: N/A 0-18 GHz	142-0711-301	142-0711-305 Δ	STOCK
	142-0711-302	142-0711-306 Δ	TAPE & REEL 425 pcs. per reel

Δ Connector Mounting Rails
60%/40% Tin/Lead Coated
(Solder Plated)

Recommended Land Pattern

