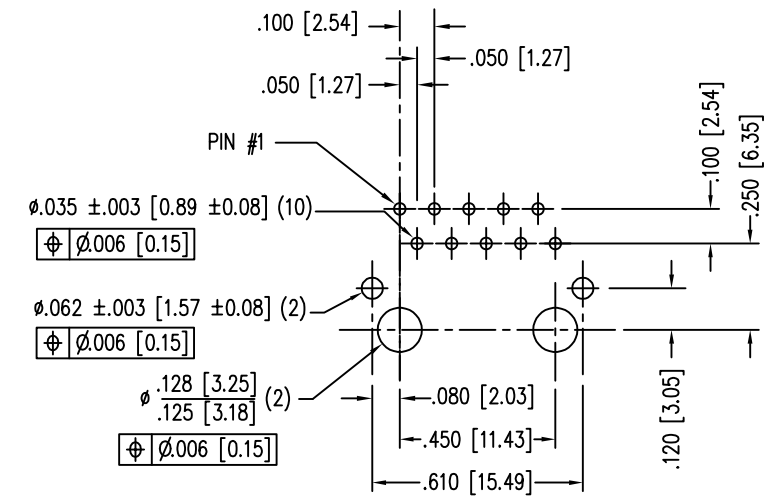
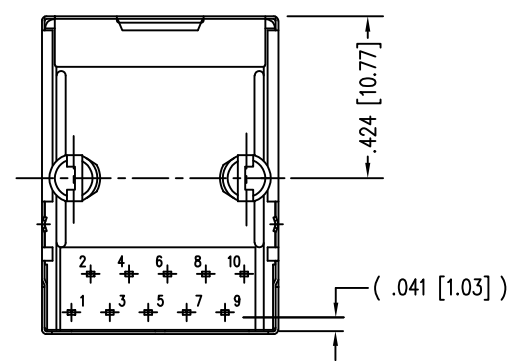
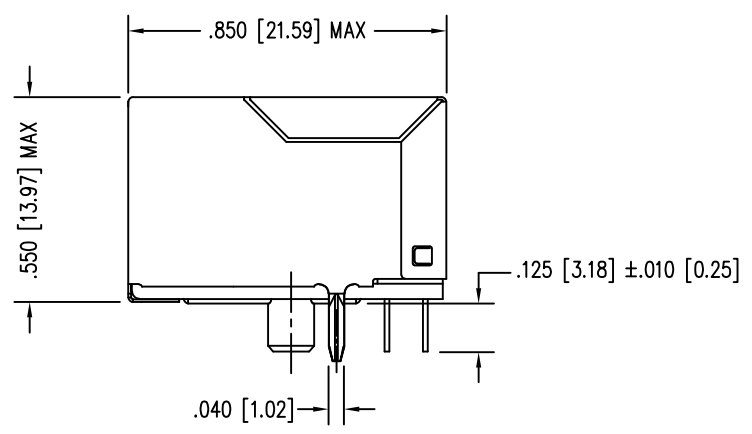
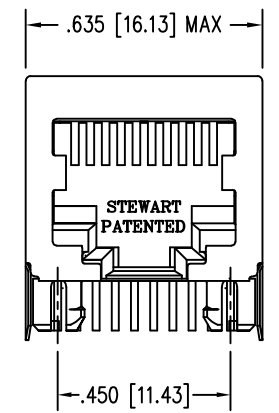
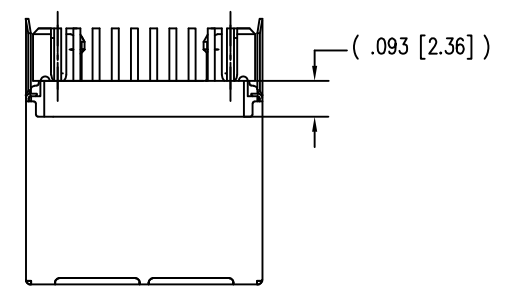


| DATE | REV | ECN | APP'D. BY |
|---------|-----|-------|-----------|
| 1-13-15 | A4 | 10185 | TRM |
| 3-8-16 | A5 | 10591 | TRM |
| 7-10-23 | B0 | 12210 | JE |

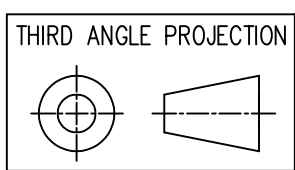


P.C.B. RECOMMENDED HOLE LAYOUT
SEEN FROM COMPONENT SIDE
ALL CENTERLINE DIMENSIONS ARE BASIC.



- NOTES:
- CONNECTOR MATERIALS:
HOUSING: HI-TEMP, UL94 V-0
CONTACTS/SHIELD: COPPER ALLOY
SHIELD PLATING: NICKEL OR "REFLOW" TIN
CONTACT PLATING: SELECTIVE GOLD OR EQUIVALENT IN THE CONTACT AREA
SEE CHART FOR PART NUMBER
 - FOR PRODUCT SPECIFICATIONS SEE PRO22-01.
 - RATED AT MAX. 260°C FOR MAX. 10 SECS.
 - DIMENSIONS AND TOLERANCES COMPLY WITH TIA-1096 STANDARD.

| | |
|--------------------------------|--------------|
| 30 MICRO-INCHES [0.76um] | SS64100-042F |
| CONTACT PLATING IN MATING AREA | PART NUMBER |



1118 Susquehanna Trail South
Glen Rock, PA 17327-9199
(717) 235-7512
<http://www.stewartconnector.com>

DO NOT SCALE DRAWING
DRAWING IS SUBJECT TO CHANGE WITHOUT NOTICE
DIMENSIONS: INCHES [METRIC]
UNLESS OTHERWISE SPECIFIED TOLERANCES ARE ±.005 [0.13] ANGLES ARE ± 1°
SHEET NO. 1 OF 1

| | | | |
|---|----------------|--|--|
| TITLE: TEN CONTACT, TEN POSITION, SHIELDED JACK | | | |
| DRN BY: RVO | DATE: 02-03-05 | | |
| APPD BY: DHG | DATE: 02-22-05 | | |
| DWG NO. CT640008F | REV. B0 | | |

