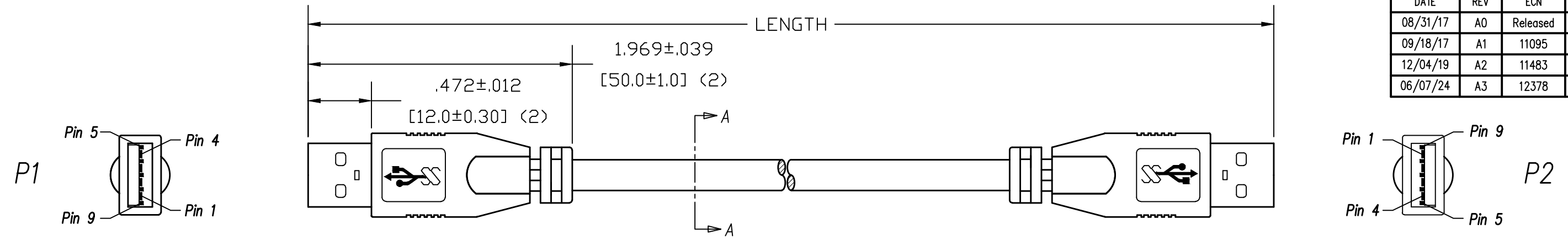


DATE	REV	ECN	APP'D. BY
08/31/17	A0	Released	JRC
09/18/17	A1	11095	GWL
12/04/19	A2	11483	ADB
06/07/24	A3	12378	KAW



Notes:

- 1) Each cable assembly to be individually bagged.
- 2) Cable Construction USB 3.0:
 - 28AWG Twisted Pair (x1)
 - 28AWG +D +AL Mylar Twisted Pair (x2)
 - 24AWG Conductors (x2)
 - AMA Braid, 85% Coverage
 - 5.8mm OD
 - PVC Jacket, Black
- 3) CONNECTOR P1 & P2: USB A Male 3.0 Blue Insulator, Gold flash on contacts, Nickel Plated Shell
- 4) Hood P1 & P2: Molded PVC Strain Relief, Black
- 5) All cables tested for continuity and shorts

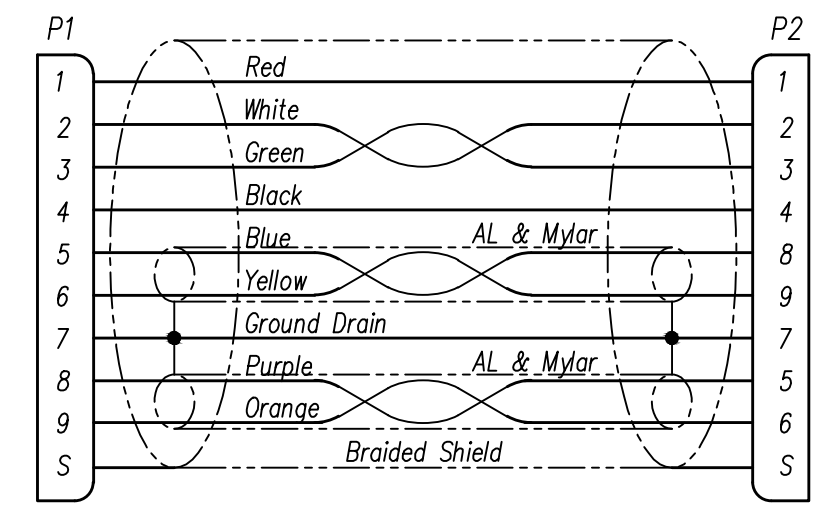
P/N Key:

SC-3AAKxxxF
 Length
 003 = 3 Ft
 006 = 6 Ft

O/A Length Tolerance:

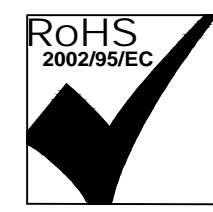
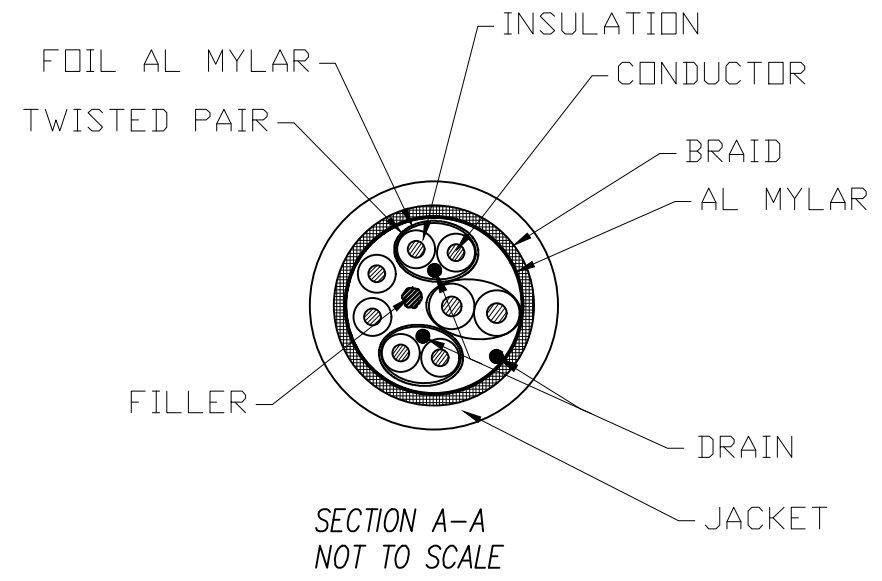
	Imperial
0 ~ 1ft	±0.5in
2ft ~ 3ft	±0.75in
4ft ~ 7ft	±1.0in
> 7ft	±1.5in

Wiring Map: USB 3.0 Super Speed



Part Numbers

Feet	
P/N	Length
SC-3AAK003F	3.0 FT
SC-3AAK006F	6.0 FT



THIRD ANGLE PROJECTION		11118 Susquehanna Trail South Glen Rock, PA 17327-9199 (717) 235-7512 http://www.stewartconnector.com
DO NOT SCALE DRAWING DRAWING IS SUBJECT TO CHANGE WITHOUT NOTICE		
DIMENSIONS: INCHES [METRIC]	Cable Assembly, USB 3.0, Type A/M - Type A/M, Black	
UNLESS OTHERWISE SPECIFIED TOLERANCES ARE ±.005 [0.13] ANGLES ARE ± 1°	THIS DRAWING AND THE SUBJECT MATTER SHOWN THEREON ARE CONFIDENTIAL AND THE PROPRIETARY PROPERTY OF STEWART CONNECTOR AND SHALL NOT BE REPRODUCED, COPIED, OR USED IN ANY MANNER WITHOUT PRIOR WRITTEN CONSENT OF STEWART CONNECTOR.	
SHEET NO. 1 OF 1	DRN BY: KAC	DATE: 08/24/17
	APPD BY: JRC	DATE: 08/31/17
	DWG NO. CT999148	REV. A3