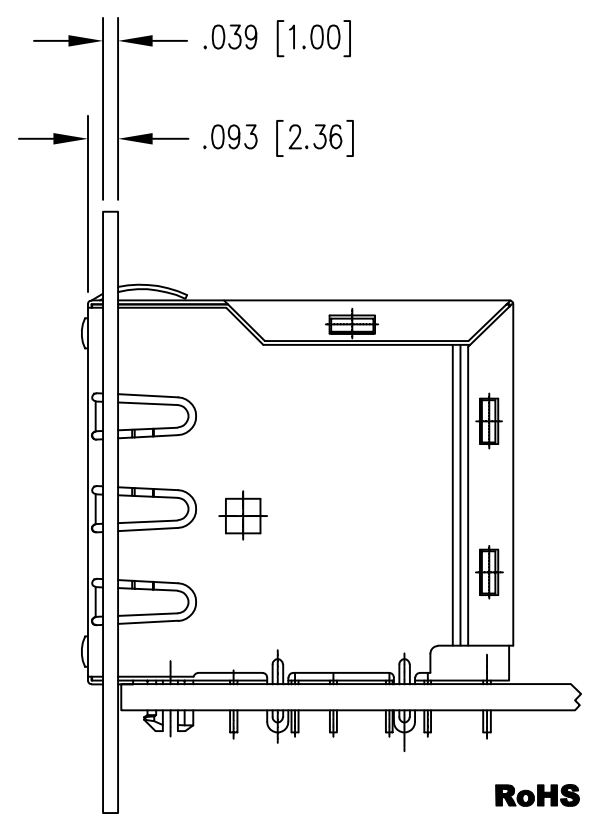
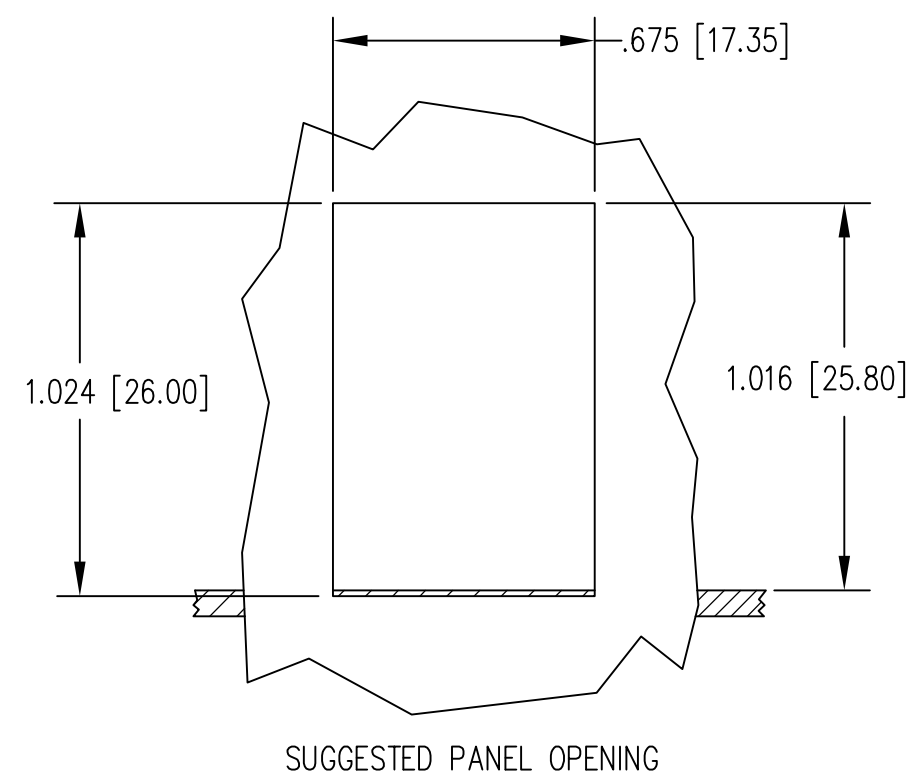
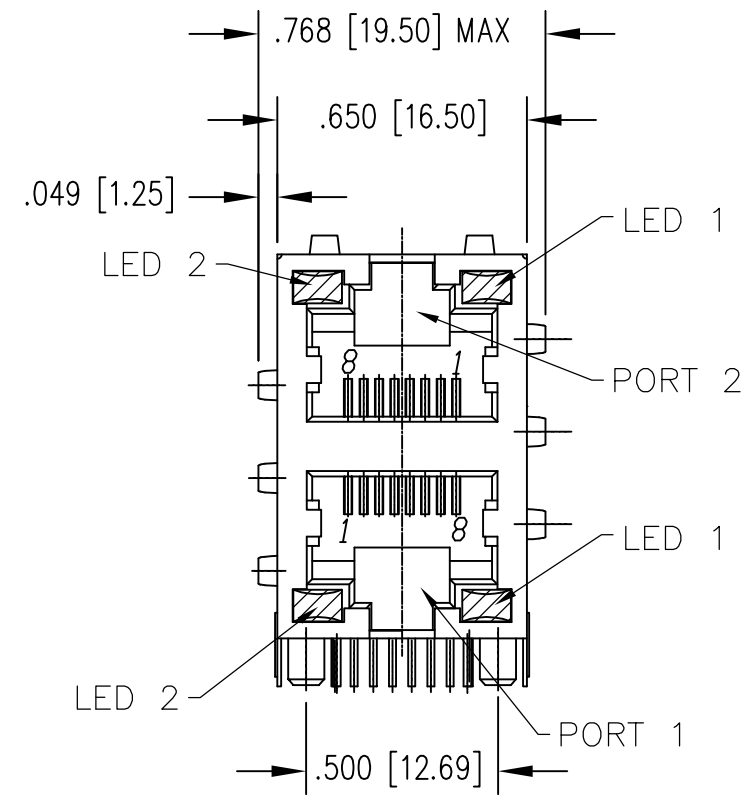
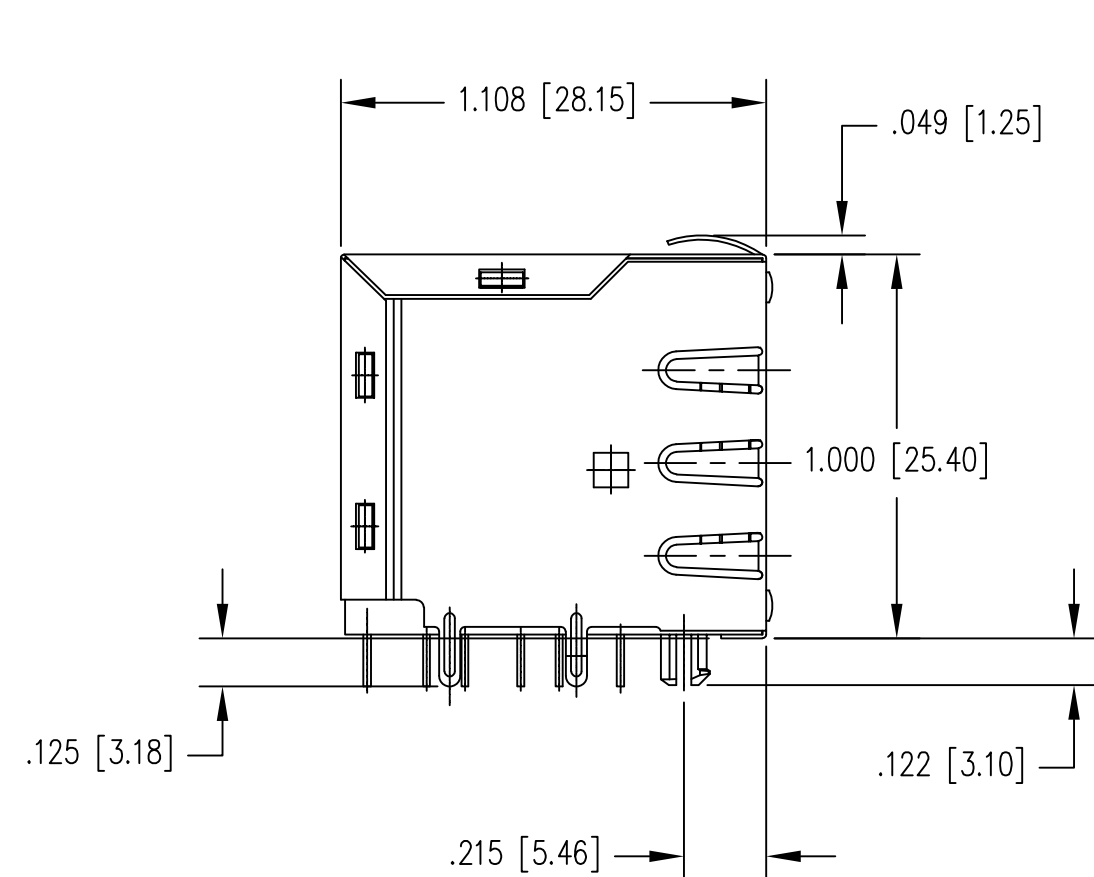


DATE	REV	ECN	APP'D. BY
8/10/17	A0	-	TRM

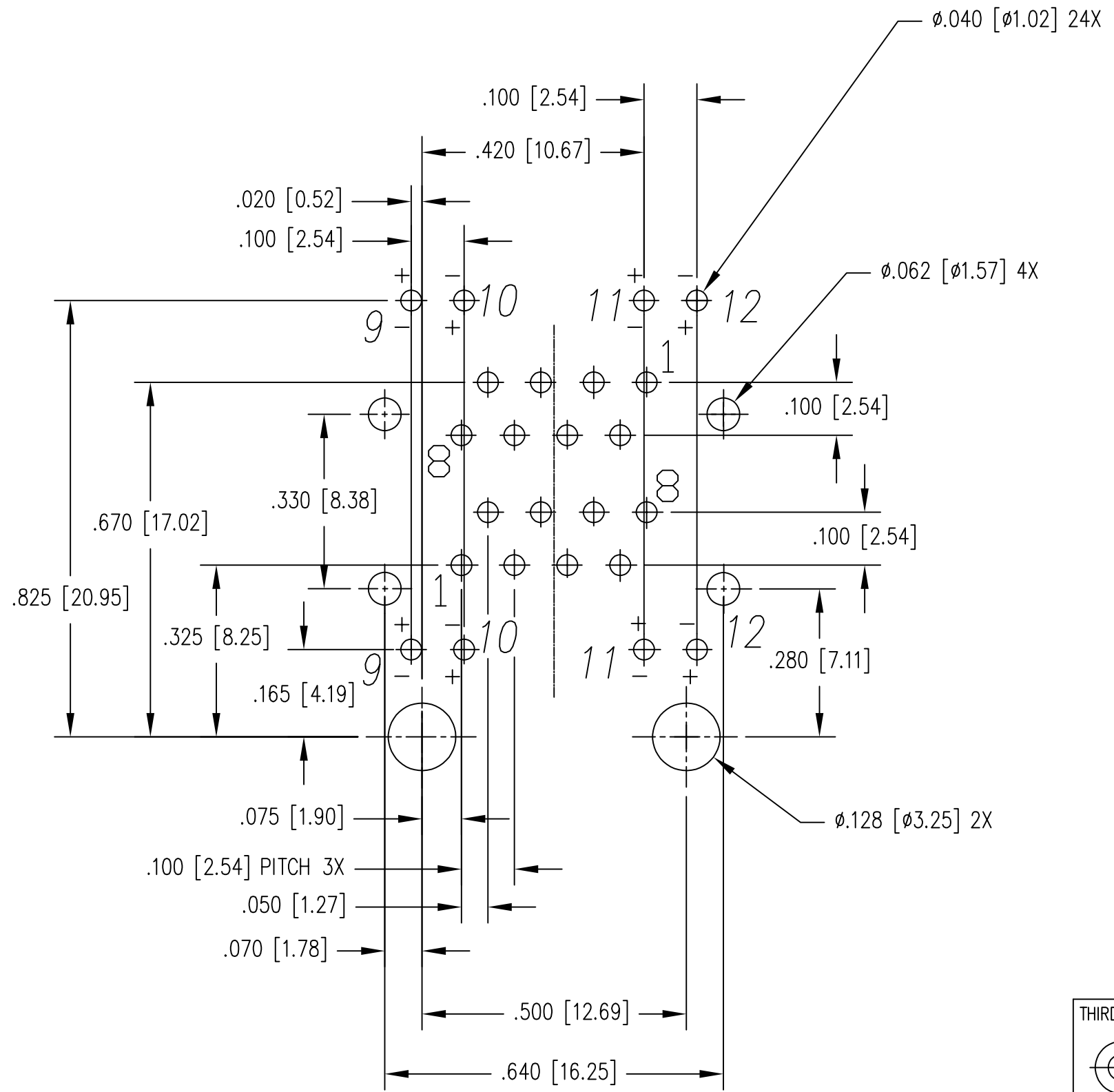


- NOTES:
- CONNECTOR MATERIALS:
HOUSING: THERMOPLASTIC UL94 V-0 COLOR: BLACK
CONTACTS/SHIELD: COPPER ALLOY
SHIELD PLATING: NICKEL
CONTACT PLATING: SELECTIVE GOLD OR EQUIVALENT IN THE CONTACT AREA
SEE CHART FOR PART NUMBER
 - FOR PRODUCT SPECIFICATIONS SEE PR022-01.
 - DIMENSIONS AND TOLERANCES COMPLY WITH TIA-1096 STANDARD.
 - THE SUGGESTED PANEL OPENING IS INTENDED TO GIVE USER THE ABILITY TO HAVE REASONABLE JACK/PANEL CLEARANCES, YET MAINTAIN GROUNDING CAPABILITY. THESE VARIABLES CAN BE ADJUSTED IN EITHER DIRECTION
LOWER MATING FORCES OR TIGHTER ASSEMBLY TOLERANCES.

50 MICRO-INCHES [1.27um]	SS-74500-043
CONTACT PLATING IN MATING AREA	PART NUMBER

THIRD ANGLE PROJECTION 	 a bel group	1118 Susquehanna Trail South Glen Rock, PA 17327-9199 (717) 235-7512 http://www.stewartconnector.com
DO NOT SCALE DRAWING DRAWING IS SUBJECT TO CHANGE WITHOUT NOTICE	TITLE: 2X1 SHIELDED STACKJACK, 8 POSITION, 8 CONTACT WITH GREEN/YELLOW LEDS, UPPER AND LOWER	
DIMENSIONS: INCHES [METRIC] UNLESS OTHERWISE SPECIFIED TOLERANCES ARE ±.010 [0.25] ANGLES ARE ± 1°	DRN BY: GWL DATE: 8/10/17	APPD BY: TRM DATE: 8/10/17
SHEET NO. 1 OF 2	DWG NO. CT740255	REV. A0





PCB LAYOUT COMPONENT SIDE
 TOLANCE +/- .002 [.05]
 THICKNESS .063 [1.60]

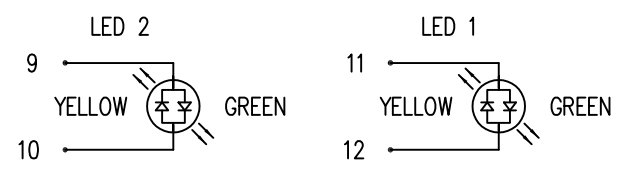


LED INFORMATION

LED 2			LED 1		
PIN 9	PIN 10	COLOR	PIN 11	PIN 12	COLOR
-	+	YELLOW	-	+	YELLOW
+	-	GREEN	+	-	GREEN

LEDS 1 & 2

VF (FORWARD VOLTAGE)	IF=20mA	GREEN	2.2V TYP.
	IF=20mA	YELLOW	2.1V TYP.
λD (DOMINANT WAVELENGTH)	IF=20mA	GREEN	565nm TYP.
	IF=20mA	YELLOW	590nm TYP.



THIRD ANGLE PROJECTION 	 a bel group	1118 Susquehanna Trail South Glen Rock, PA 17327-9199 (717) 235-7512 http://www.stewartconnector.com
DO NOT SCALE DRAWING DRAWING IS SUBJECT TO CHANGE WITHOUT NOTICE	TITLE: 2X1 SHIELDED STACKJACK, 8 POSITION, 8 CONTACT WITH GREEN/YELLOW LEDES, UPPER AND LOWER	
DIMENSIONS: INCHES [METRIC]	DRN BY: GWL	DATE 8/10/17
UNLESS OTHERWISE SPECIFIED TOLERANCES ARE ±.010 [0.25] ANGLES ARE ± 1°	APPD BY: TRM	DATE 8/10/17
SHEET NO. 2 OF 2	DWG NO. CT740255	REV. A0