

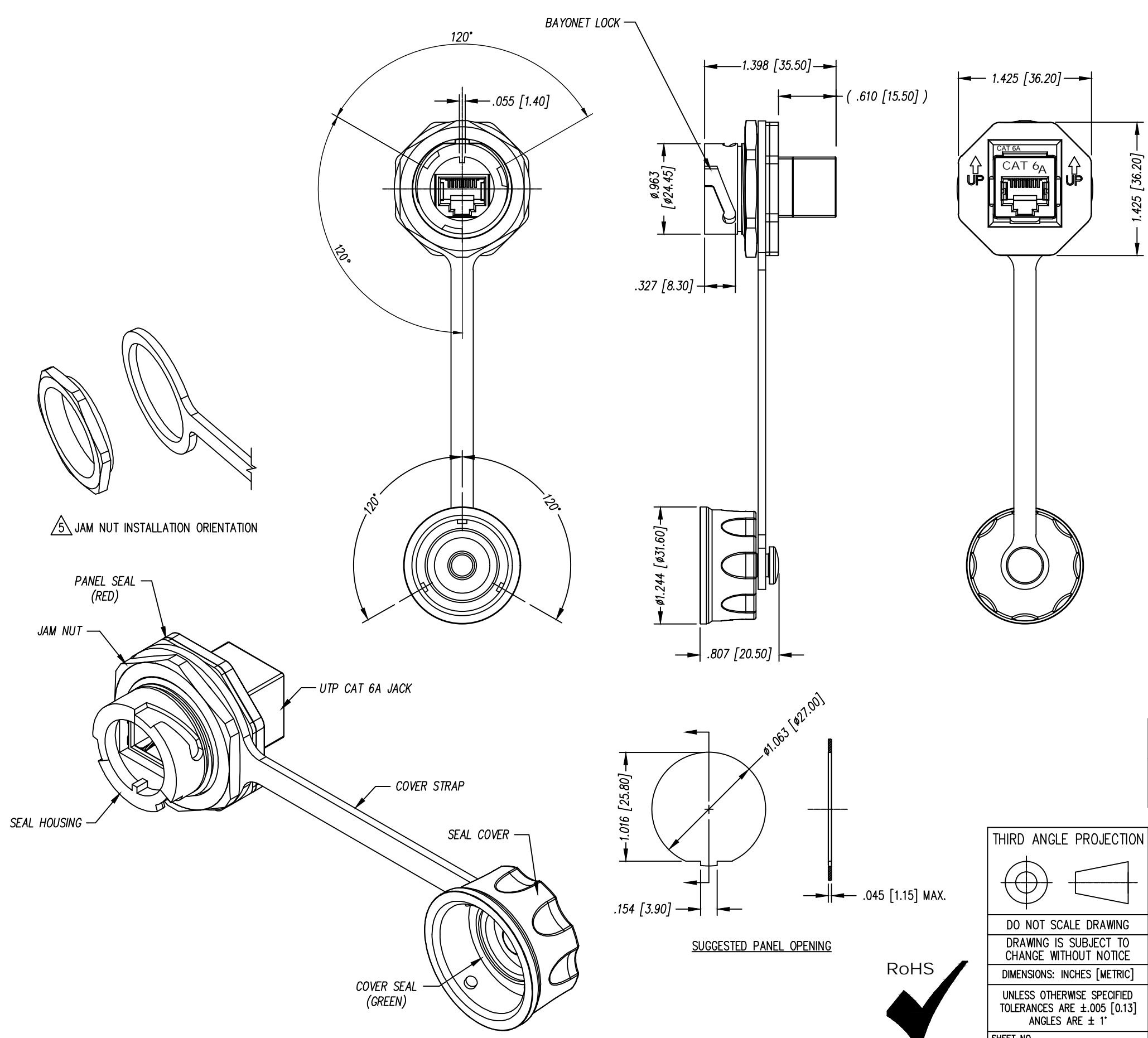
DATE	REV	ECN	APP'D. BY
9/2/22	A0	12037	JE
08/12/24	A1	12419	KAW

B

B

A

A



- NOTES:
- CONNECTOR MATERIALS:  
HOUSING: THERMOPLASTIC UL94 V-0  
CONTACTS: COPPER ALLOY  
CONTACT PLATING: SELECTIVE GOLD IN THE CONTACT AREA
  - JACK DIMENSIONS AND TOLERANCES COMPLY WITH TIA-1096 STANDARD.
  - DESIGNED FOR CATEGORY 6A APPLICATIONS.
  - INTERNATIONAL PROTECTION CODE MEETS IP67.
  - FOR INSTALLATION, PLACE RED PANEL SEAL ON REAR SIDE OF PANEL. IF USING THE COVER STRAP, ENSURE STRAP OPENING IS ENCLOSED BY THE FLANGE OF THE NUT, AND NOT PINCHED. TIGHTEN NUT TO 26 TO 44 INCH-POUNDS [3 TO 5 NEWTON-METERS].
  - ELECTRICAL PROPERTIES:  
INSULATION RESISTANCE: 500MΩ MIN. @ 100VDC  
DIELECTRIC WITHSTANDING VOLTAGE: 1000VDC OR VAC @ 60Hz FOR 1 MIN.

50 MICRO-INCHES [1.27um]	SS-60400-033
CONTACT PLATING IN MATING AREA	PART NUMBER

<p>THIRD ANGLE PROJECTION</p> <p>DO NOT SCALE DRAWING DRAWING IS SUBJECT TO CHANGE WITHOUT NOTICE</p> <p>DIMENSIONS: INCHES [METRIC] UNLESS OTHERWISE SPECIFIED TOLERANCES ARE ±.005 [0.13] ANGLES ARE ± 1°</p> <p>SHEET NO. 1 OF 1</p>	<p>1118 Susquehanna Trail South Glen Rock, PA 17327-9199 (717) 235-7512 <a href="http://www.stewartconnector.com">http://www.stewartconnector.com</a></p> <p>TITLE: INDUSTRIAL UNSHIELDED COUPLER JACK IP67 (UTP) CAT 6A WITH EXTERIOR JACK LATCH</p> <p>THIS DRAWING AND THE SUBJECT MATTER SHOWN THEREON ARE CONFIDENTIAL AND THE PROPRIETARY PROPERTY OF STEWART CONNECTOR AND SHALL NOT BE REPRODUCED, COPIED, OR USED IN ANY MANNER WITHOUT PRIOR WRITTEN CONSENT OF STEWART CONNECTOR. ONE OR MORE U.S. PATENTS MAY APPLY TO THIS PRODUCT. FOR DETAILS, PLEASE VISIT: <a href="http://BELFUSE.COM/STEWART/STEWART_PATENTS/">HTTP://BELFUSE.COM/STEWART/STEWART_PATENTS/</a></p>	<p>DRN BY: JMM      DATE: 9/2/22</p> <p>APPD BY: JE      DATE: 9/2/22</p> <p>DWG NO. CT600264      REV. A1</p>
---	---	--

