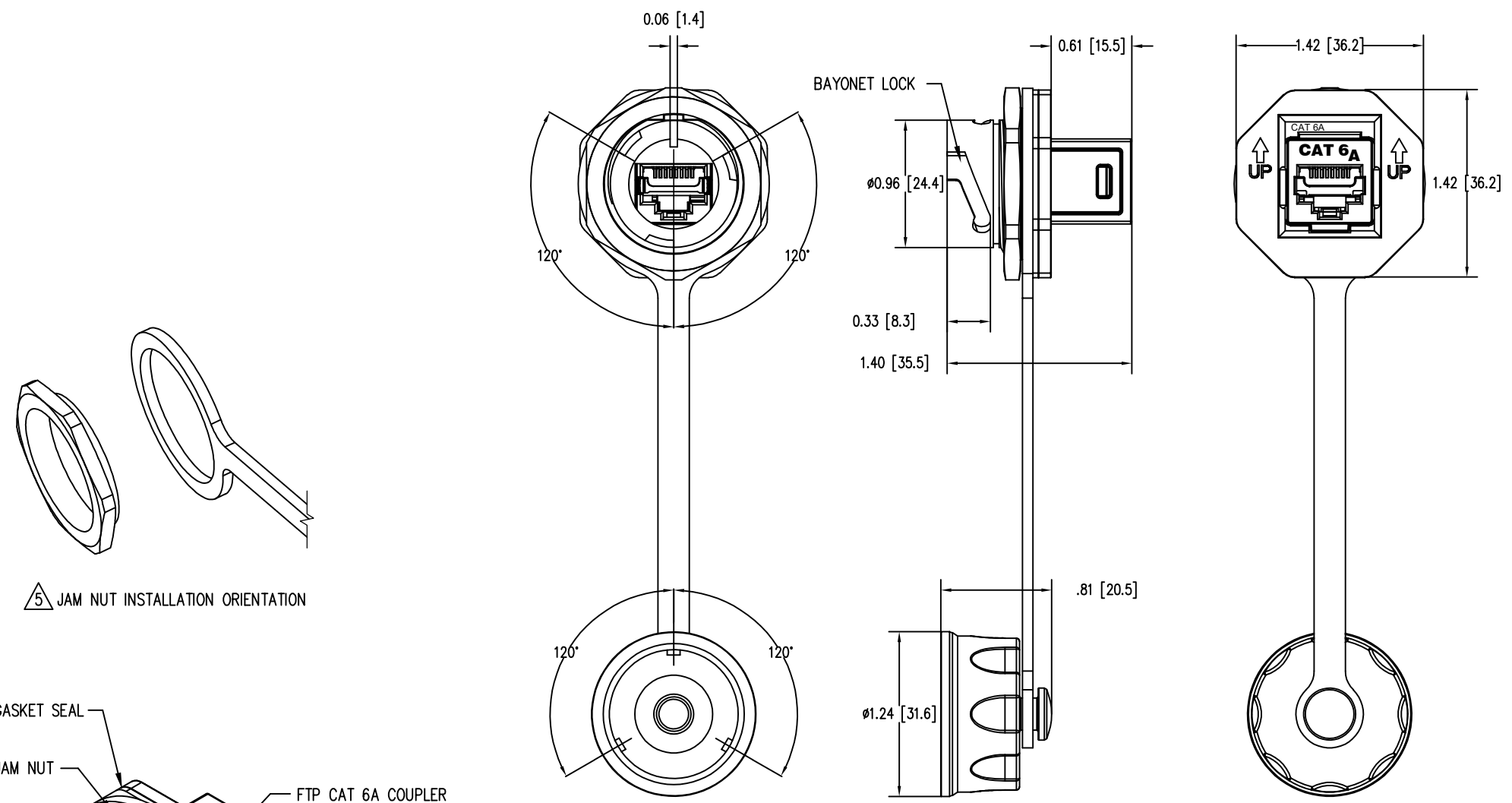


DATE	REV	ECN	APP'D. BY
06/16/21	A0	-	BTS

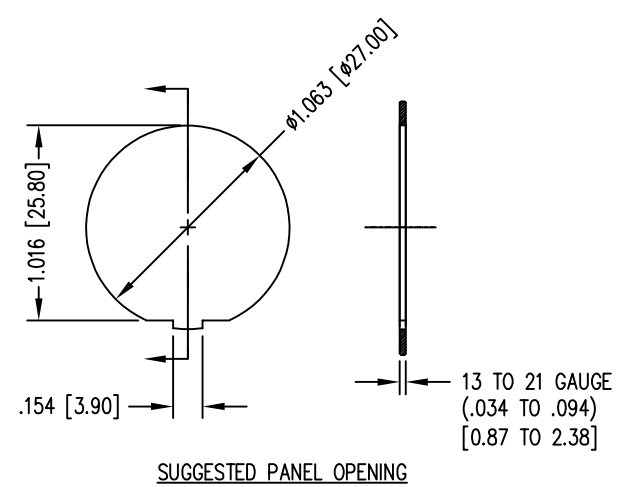
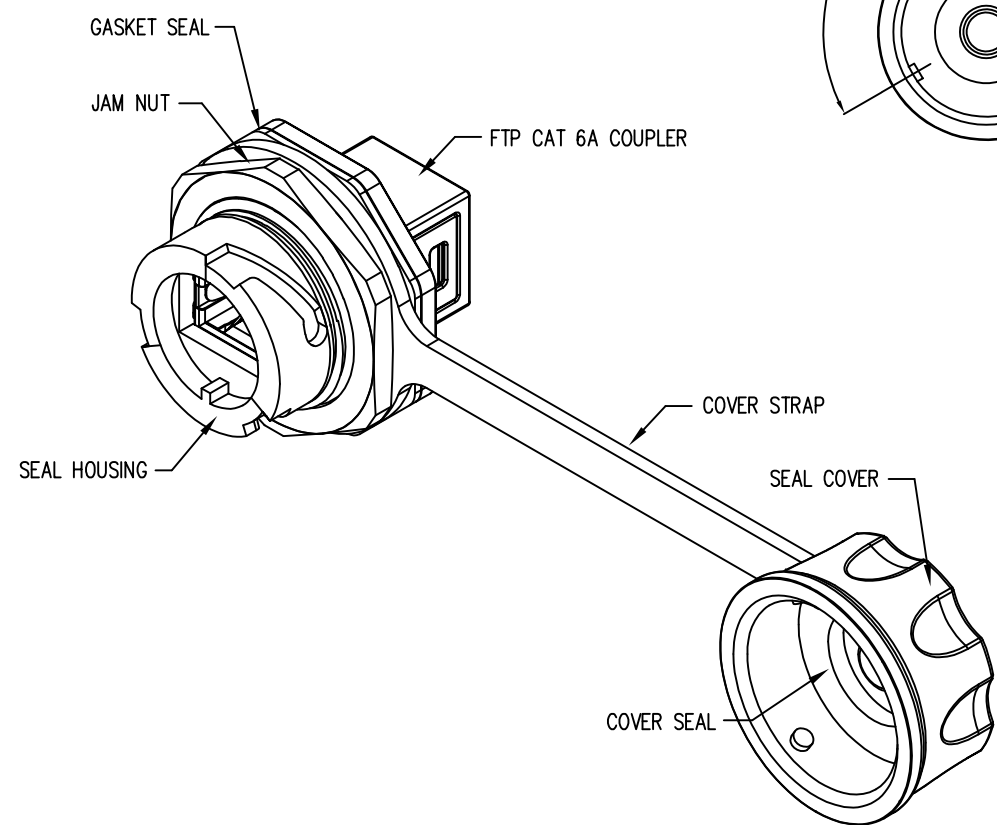
B

B



5 JAM NUT INSTALLATION ORIENTATION

- NOTES:
- CONNECTOR MATERIALS:  
HOUSING: THERMOPLASTIC UL94 V-0, ZINC ALLOY (FULL SHIELD)  
CONTACTS: COPPER ALLOY, TIN PLATED  
CONTACT PLATING: SELECTIVE GOLD OR EQUIVALENT IN THE CONTACT AREA  
SEE CHART FOR PART NUMBER
  - JACK DIMENSIONS AND TOLERANCES COMPLY WITH TIA-1096 STANDARD.
  - DESIGNED FOR CATEGORY 6A APPLICATIONS.
  - INTERNATIONAL PROTECTION CODE MEETS IP67.
- 5 FOR INSTALLATION, PLACE PANEL SEAL ON REAR SIDE OF PANEL. IF USING THE COVER STRAP, ENSURE STRAP OPENING IS ENCLOSED BY THE FLANGE OF THE NUT, AND NOT PINCHED. TIGHTEN NUT TO 26 TO 44 INCH-POUNDS [3 TO 5 NEWTON-METERS].



50 MICRO-INCHES [1.27um]	SS-60400-030
CONTACT PLATING IN MATING AREA	PART NUMBER

THIRD ANGLE PROJECTION	
DO NOT SCALE DRAWING DRAWING IS SUBJECT TO CHANGE WITHOUT NOTICE	
DIMENSIONS: INCHES [METRIC]	
UNLESS OTHERWISE SPECIFIED TOLERANCES ARE ±.005 [0.13] ANGLES ARE ± 1°	
SHEET NO. 1 OF 1	

**stewart**  
CONNECTOR  
a bel group

11118 Susquehanna Trail South  
Glen Rock, PA 17327-9199  
(717) 235-7512  
<http://www.stewartconnector.com>

TITLE: INDUSTRIAL SHIELDED COUPLER JACK IP67 (FTP), CAT 6A	
DRN BY: JE	DATE 06/15/21
APPD BY: BTS	DATE 06/16/21
DWG NO. CT600259	REV. A0

A

A