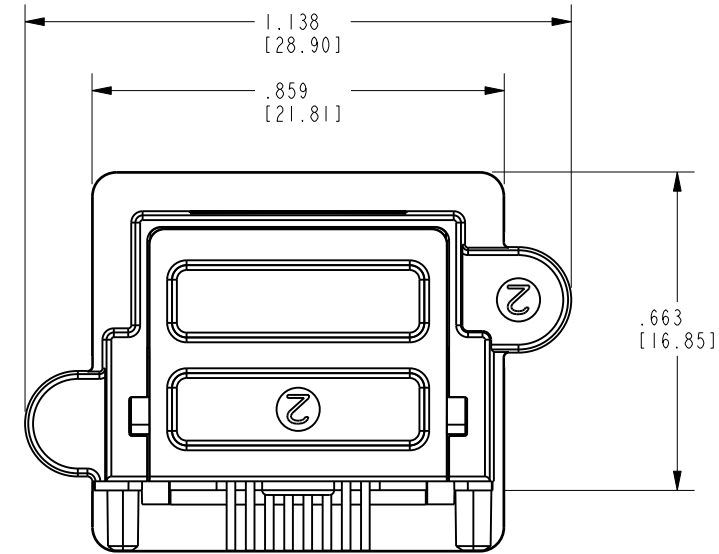
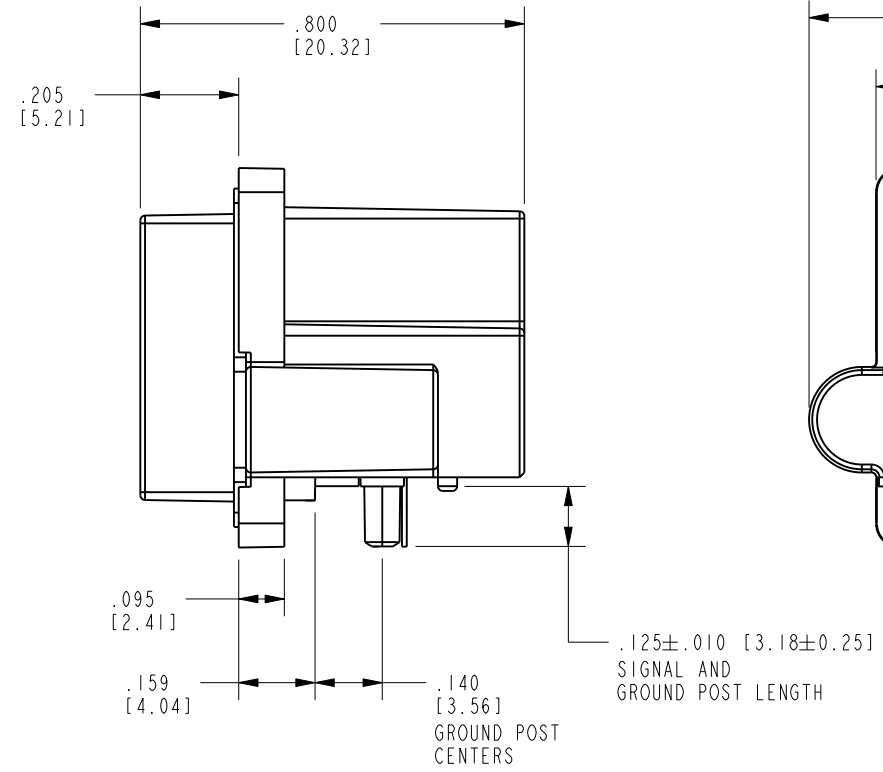
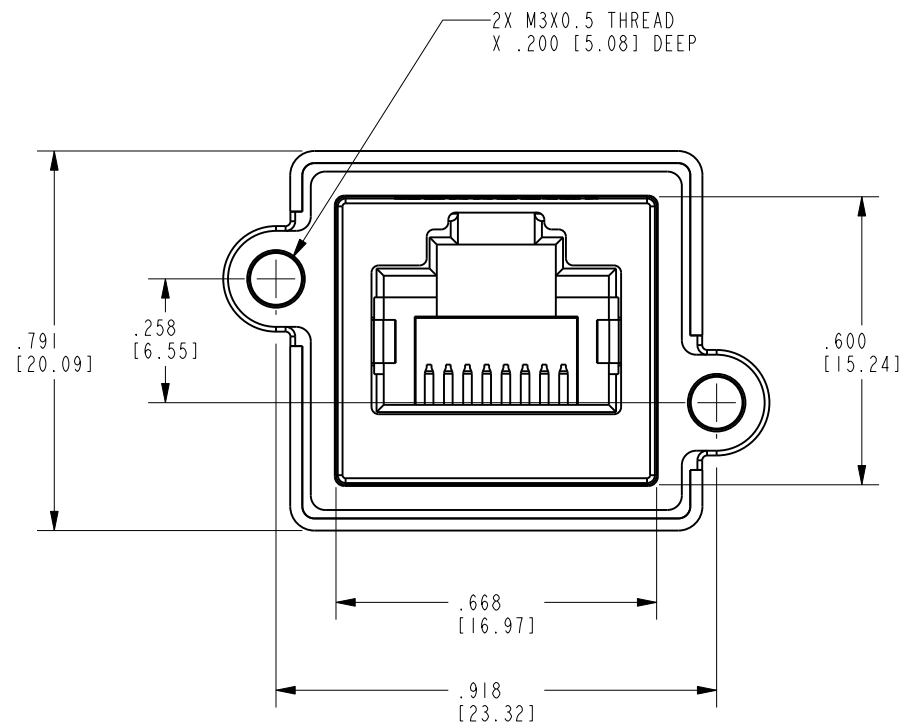
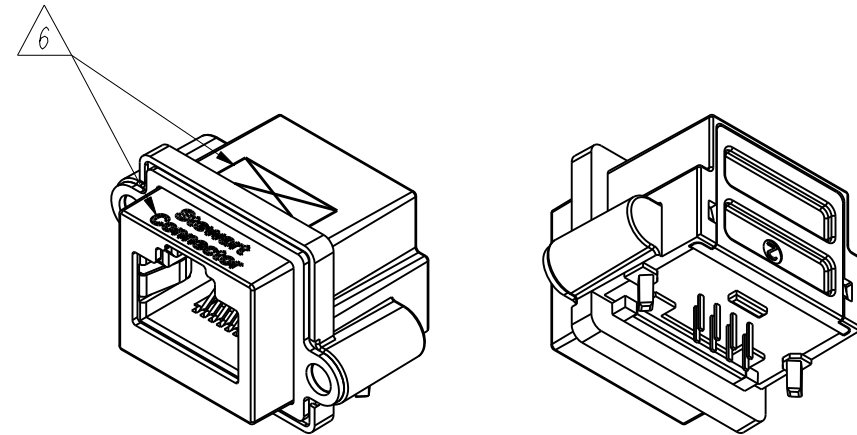
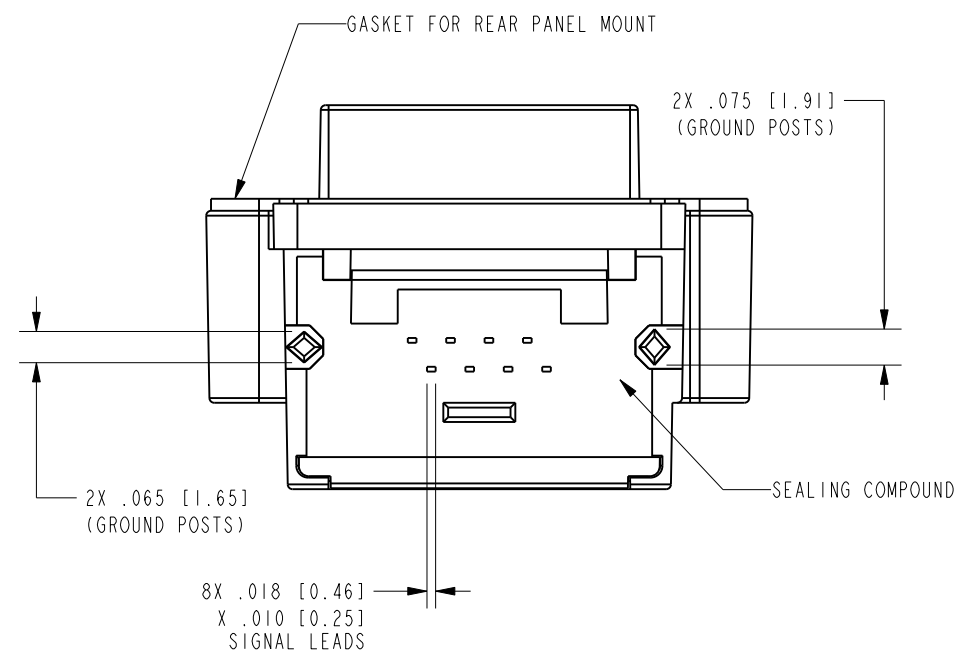


DATE	REV.	ECN	APP'D BY
12-18-17	X0	-	DHG
04-06-20	A0	-	ADB



- NOTES:
- CONNECTOR MATERIALS:  
HOUSING/INSERT: THERMOPLASTIC UL94 V-0  
SHIELDS: ZINC DIE-CAST ALLOY  
SHIELD PLATING: TIN OVER COPPER  
CONTACTS AND GROUND SPRINGS: COPPER ALLOY  
CONTACT PLATING: SEE TABLE BELOW  
GROUND SPRING PLATING: NICKEL  
GASKET: SILICONE RUBBER  
SILICONE SEALING COMPOUND IN REAR OF JACK
  - PRODUCT INTENDED FOR CATEGORY 6 APPLICATIONS.
  - DIMENSIONS AND TOLERANCES COMPLY WITH TIA-1096 STANDARD.
  - REFERENCE PRODUCT SPECIFICATION PR042-01.
  - ENVIRONMENTAL PERFORMANCE PER IEC 60529 CODE IP67, FOR CONNECTOR AND PANEL INTERFACE. REFER TO INSTRUCTION SHEET MN600001 FOR INSTALLATION GUIDELINES.
- △ PRODUCT MARKED WITH COMPANY LOGO, PART NUMBER, AND MANUFACTURING DATE / LOCATION IN AREAS AS SHOWN.



ISOMETRIC VIEWS

50 MICRO-INCHES [1.27um]	SS-60400-024
CONTACT PLATING IN MATING AREA	PART NUMBER

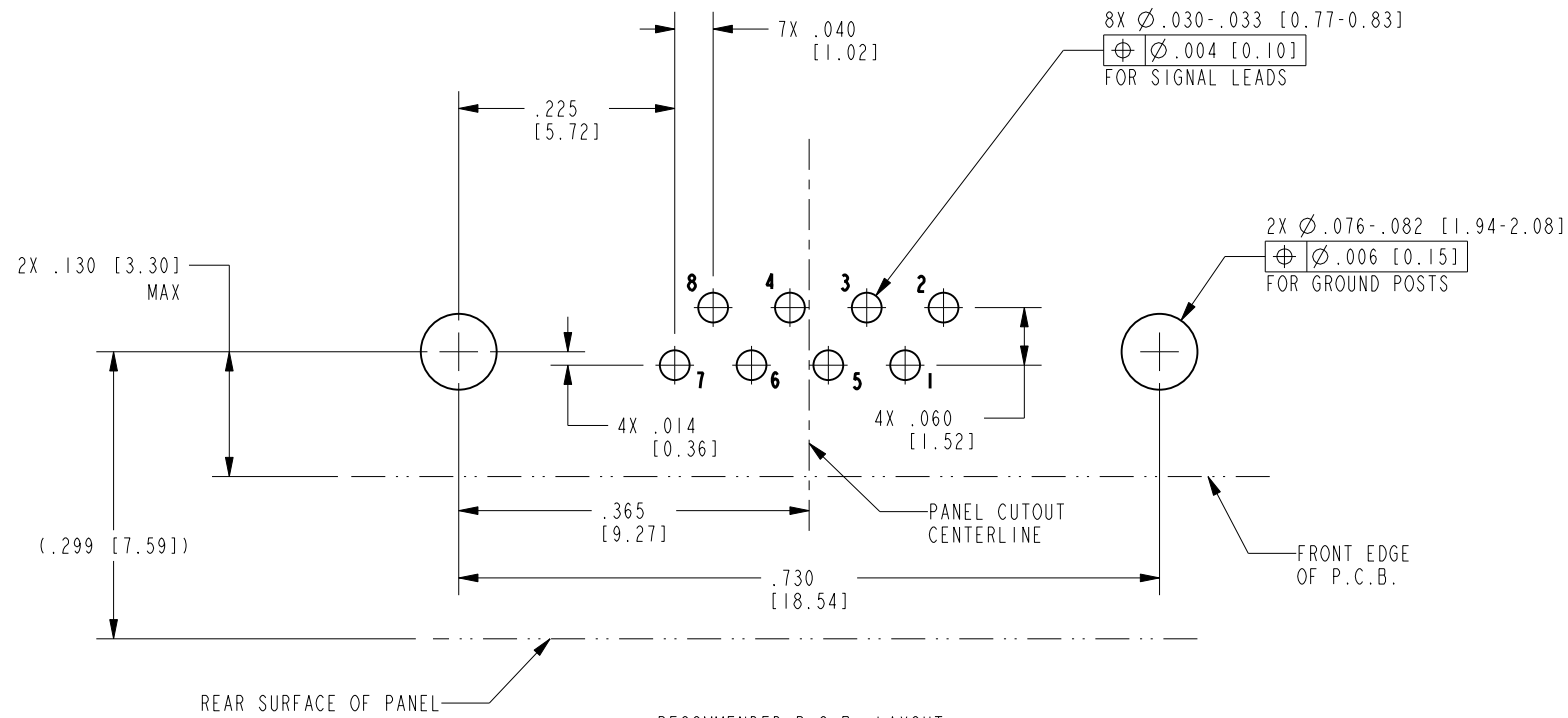
THIRD ANGLE PROJECTION	
DO NOT SCALE DRAWING DRAWING IS SUBJECT TO CHANGE WITHOUT NOTICE	TITLE: RIGHT ANGLE CAT 6 SEALJACK WITHOUT LEDS, WITH M3X0.5 THREADS
DIMENSIONS: INCHES [METRIC]	THIS DRAWING AND THE SUBJECT MATTER SHOWN THEREON ARE CONFIDENTIAL AND THE PROPRIETARY PROPERTY OF STEWART CONNECTOR AND SHALL NOT BE REPRODUCED, COPIED, OR USED IN ANY MANNER WITHOUT PRIOR WRITTEN CONSENT OF STEWART CONNECTOR. ONE OR MORE U.S. PATENTS MAY APPLY TO THIS PRODUCT. FOR DETAILS, PLEASE VISIT: <a href="http://BELFUSE.COM/STEWART/STEWART_PATENTS/">HTTP://BELFUSE.COM/STEWART/STEWART_PATENTS/</a>
UNLESS OTHERWISE SPECIFIED TOLERANCES ARE ±.005 [0.13] ANGLES ARE ±1°	DRN BY: ADB DATE 12-12-17
SHEET NO. 1 OF 2	APPD BY: DHG DATE 12-18-17
	DWG. NO. CT600201 REV. A0



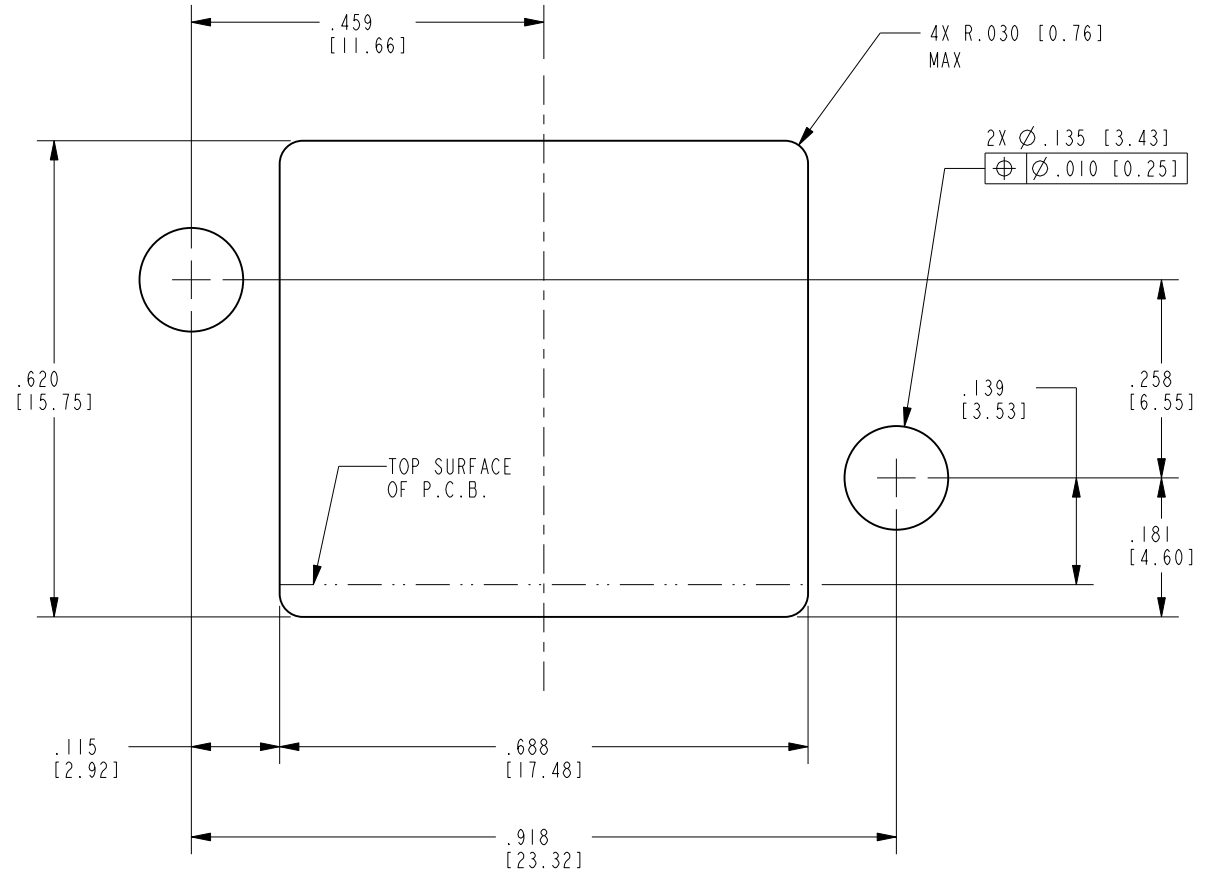
11118 Susquehanna Trail South  
Glen Rock, PA 17327-9199  
(717) 235-7512  
<http://www.stewartconnector.com>



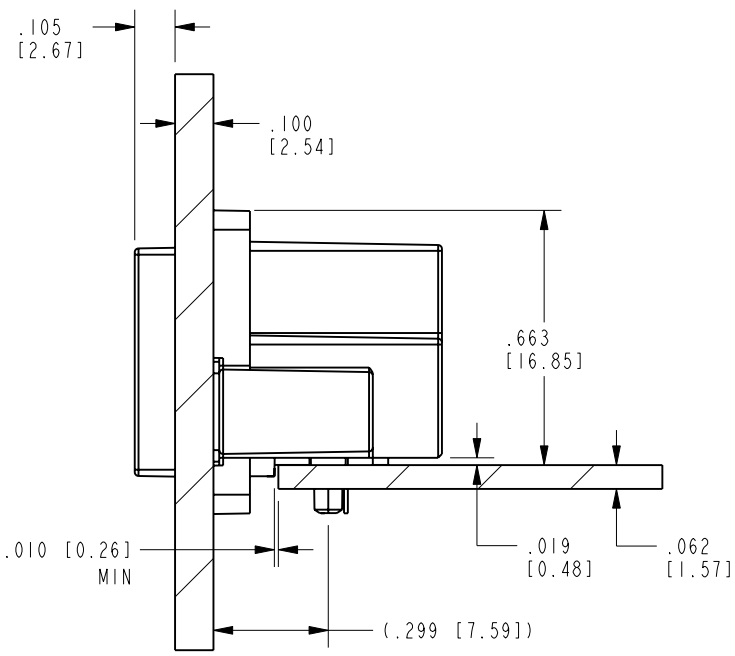
B



RECOMMENDED P.C.B. LAYOUT  
(COMPONENT SIDE OF BOARD)  
SCALE: 5.000  
ALL CENTERLINE DIMENSIONS ARE BASIC

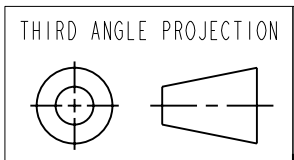


RECOMMENDED PANEL CUTOUT  
(FRONT OF PANEL)  
SCALE: 4.000  
ALL CENTERLINE DIMENSIONS ARE BASIC



SIDE VIEW - SHOWN WITH .100" PANEL AND .062" P.C.B. FOR REFERENCE ONLY  
SCALE: 2.000  
(SHOWN WITH GASKET IN FULLY COMPRESSED STATE)

NOTES:  
1. IF MOUNTING MULTIPLE CONNECTORS SIDE-BY-SIDE, THE SUGGESTED MINIMUM SPACING (PITCH) IS AT LEAST 1.02 INCHES [26 mm].



11118 Susquehanna Trail South  
Glen Rock, PA 17327-9199  
(717) 235-7512  
<http://www.stewartconnector.com>

DO NOT SCALE DRAWING  
DRAWING IS SUBJECT TO CHANGE WITHOUT NOTICE

TITLE: RIGHT ANGLE CAT 6 SEALJACK WITHOUT LEDS, WITH M3X0.5 THREADS

DIMENSIONS: INCHES [METRIC]  
UNLESS OTHERWISE SPECIFIED TOLERANCES ARE  $\pm$ .005 [0.13] ANGLES ARE  $\pm$ 1°

THIS DRAWING AND THE SUBJECT MATTER SHOWN THEREON ARE CONFIDENTIAL AND THE PROPRIETARY PROPERTY OF STEWART CONNECTOR AND SHALL NOT BE REPRODUCED, COPIED, OR USED IN ANY MANNER WITHOUT PRIOR WRITTEN CONSENT OF STEWART CONNECTOR. ONE OR MORE U.S. PATENTS MAY APPLY TO THIS PRODUCT. FOR DETAILS, PLEASE VISIT: [HTTP://BELFUSE.COM/STEWART/STEWART\\_PATENTS/](http://BELFUSE.COM/STEWART/STEWART_PATENTS/)

DRN BY:	ADB	DATE	12-12-17
APPD BY:	DHG	DATE	12-18-17
DWG. NO.	CT600201	REV.	A0

SHEET NO. 2 OF 2