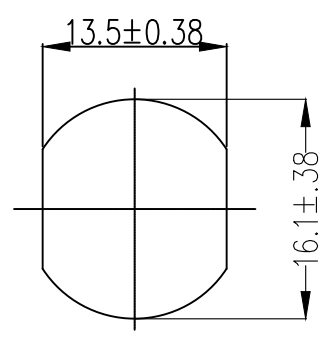
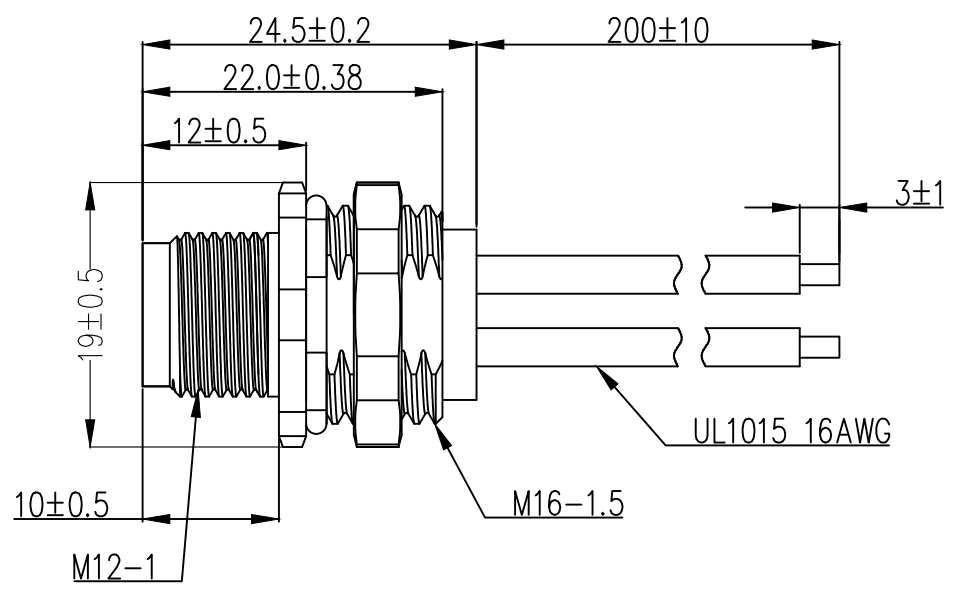
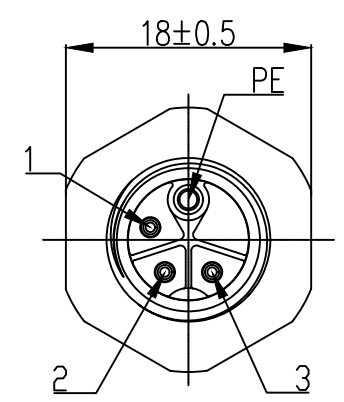
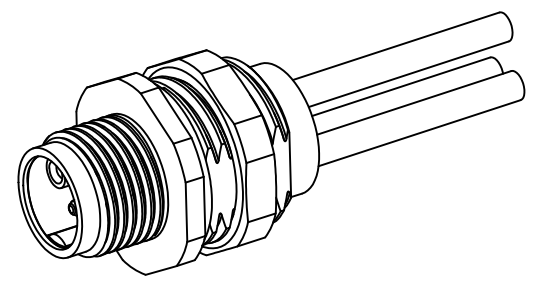


12 11 10 9 8 7 6 5 4 3 2 1

DATE	REV	REVISION CHANGES	EDN	APP'D. BY
3/23/22	X0	INITIAL DRAWING	-	JMM
3/29/22	X1	ADDED ELECTRICAL SPECIFICATIONS	-	JMM
6/9/22	X2	CHANGED FORMAT TO METRIC	-	JMM
6/14/22	A0	INITIAL RELEASE	12001	JMM



PANEL CUT-OUT



- NOTES:**
- 1) PROTECTION RATING: IP68
  - 2) CURRENT RATING: 12A
  - 3) VOLTAGE RATING: 630V
  - 4) INSULATION RESISTANCE: 100MΩ
  - 5) HOUSING
    - GREEN PA
  - 6) COUPLING NUT
    - BRASS, NICKEL PLATED
  - 7) SCREW NUT
    - BRASS, NICKEL PLATED
  - 8) CONTACTS
    - COPPER ALLOY GOLD AND NICKEL PLATED
  - 9) O-RING
    - BLACK EPDM

PIN	WIRE COLOR
1	RED
2	WHITE
3	BLUE
PE	BLACK

SS-12500-001  
PART NUMBER

<p>THIRD ANGLE PROJECTION</p>	<p>11118 Susquehanna Trail South Glen Rock, PA 17327-9199 (717) 235-7512 <a href="http://www.stewartconnector.com">http://www.stewartconnector.com</a></p>	DATE: 3/23/22 APP'D. BY: J.E. DATE: 6/14/22 SHEET NO.: 1 OF 1
		TITLE: M12 K-CODE, IP68 VERTICAL PANEL MOUNT DIMENSIONS: METRIC UNLESS OTHERWISE SPECIFIED TOLERANCES ARE AS SHOWN ANGLES ARE 3°



AutoCAD A1 Metric

12 11 10 9 8 7 6 5 4 3 2 1