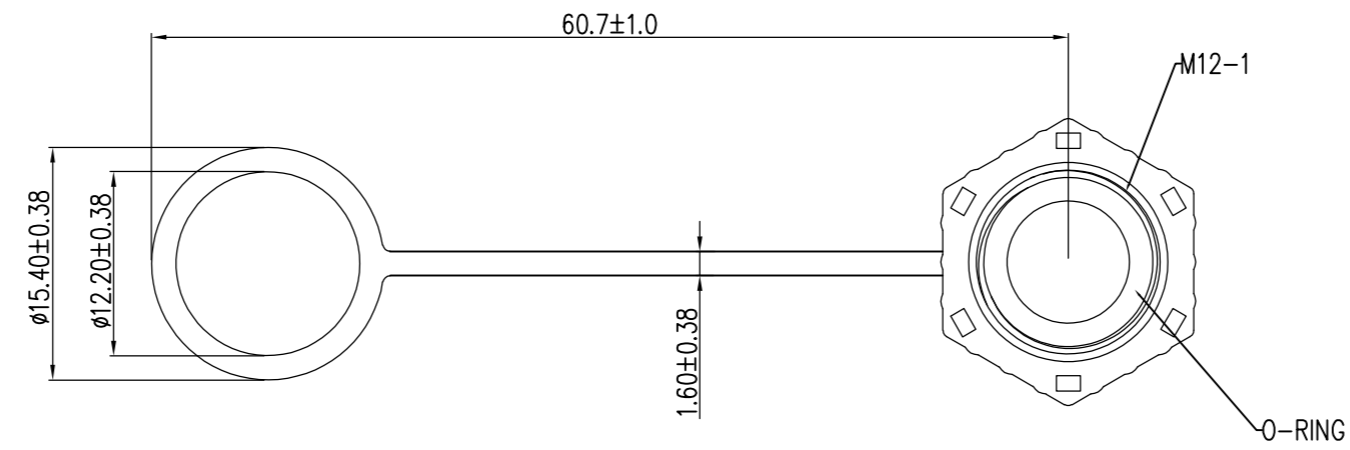
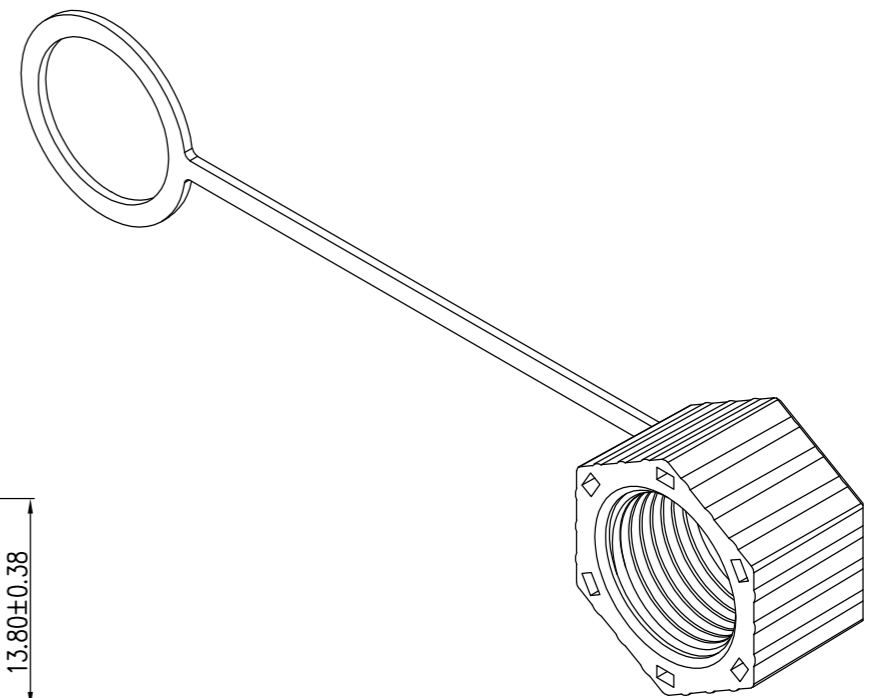
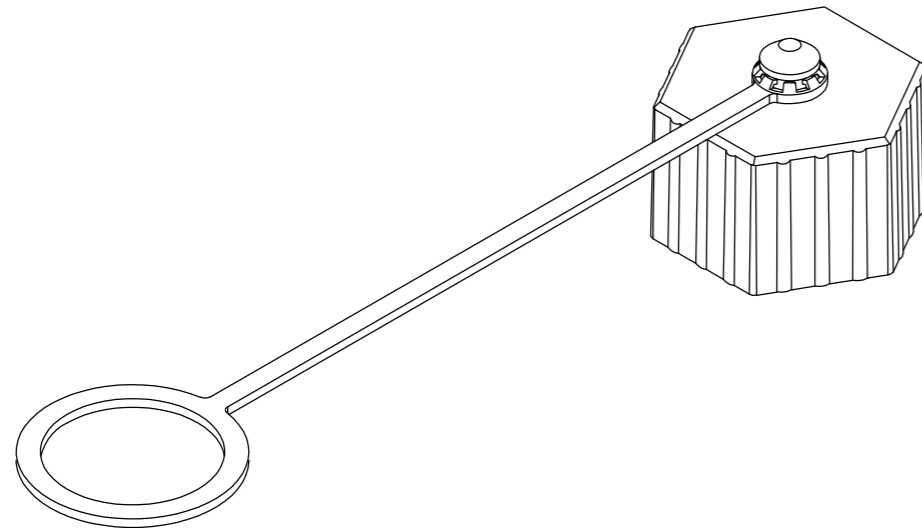


DATE	REV	REVISION CHANGES	ECN	APP'D. BY
8/19/22	A0	INITIAL DRAWING	12037	JE



- NOTES:
- CONNECTOR MATERIALS:  
 CAP: PC  
 O-RING: EPDM  
 STRAP: PA
  - DEGREE OF PROTECTION: IP68

SS-12400-008  
 PART NUMBER

THIRD ANGLE PROJECTION		11118 Susquehanna Trail South Gen Rock, PA 17327-9199 (717) 235-7512 <a href="http://www.stewartconnector.com">http://www.stewartconnector.com</a>	
DO NOT SCALE DRAWING DRAWING IS SUBJECT TO CHANGE WITHOUT NOTICE		TITLE: M12 K-CODE IP 68 PLASTIC CAP INTERNAL THREADS	
DIMENSIONS: METRIC UNLESS OTHERWISE SPECIFIED TOLERANCES ARE ± 0.13 ANGLES ARE ± 1°	THIS DRAWING AND THE SUBJECT MATTER SHOWN THEREON ARE CONFIDENTIAL AND THE PROPRIETARY PROPERTY OF STEWART CONNECTOR AND SHALL NOT BE REPRODUCED, COPIED, OR USED IN ANY MANNER WITHOUT PRIOR WRITTEN CONSENT OF STEWART CONNECTOR, ONE OR MORE U.S. PATENTS MAY APPLY TO THIS PRODUCT. FOR DETAILS, PLEASE VISIT: <a href="http://BELFUSE.COM/STEWART/STEWART_PATENTS/">HTTP://BELFUSE.COM/STEWART/STEWART_PATENTS/</a>	DRW BY: JMM DATE: 8/19/22	APP'D BY: JE DATE: 8/19/22
SHEET NO: 1 OF 1	DRW NO: CT120022	REV: A0	

