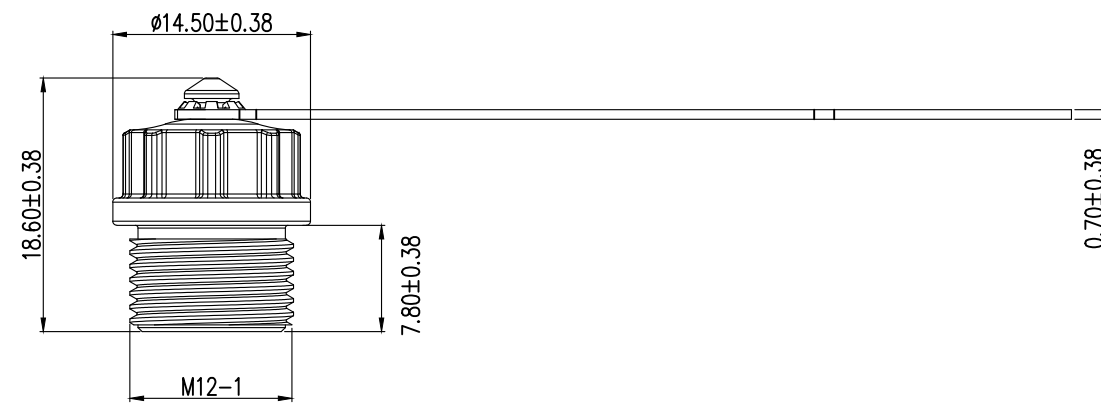
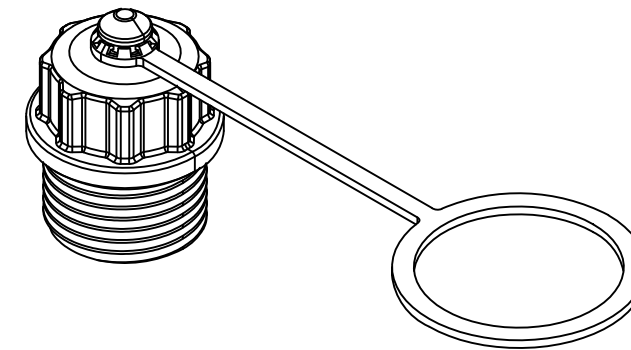
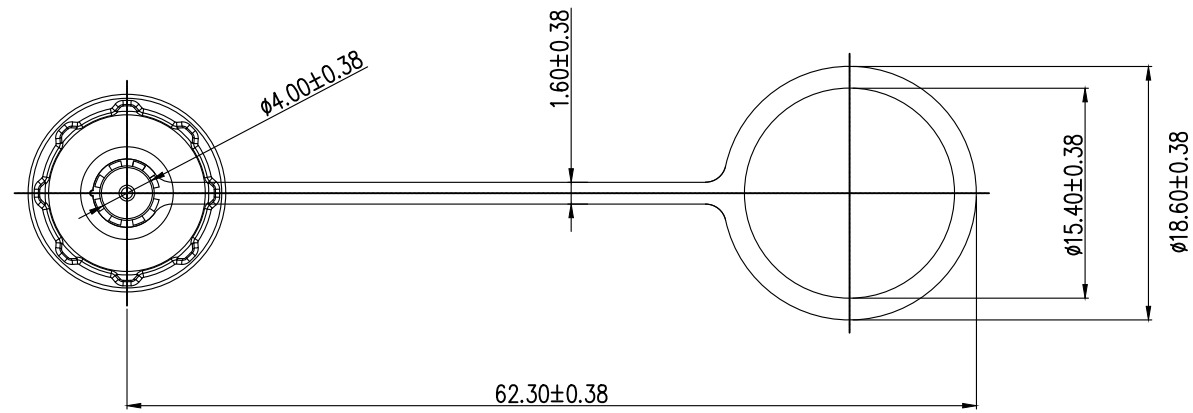


DATE	REV	REVISION CHANGES	EDN	APP'D. BY
12/29/21	X0	INITIAL DRAWING	-	JMM
1/3/22	X1	CHANGED FORMAT TO METRIC	-	J.E
5/24/22	X2	CORRECTED DRAWING NUMBER	-	JMM
6/14/22	A0	INITIAL RELEASE	12001	JMM



- NOTES:
- CONNECTOR MATERIALS:
CAP: BLACK THERMOPLASTIC
CHAIN: BLACK THERMOPLASTIC
 - DEGREE OF PROTECTION: IP68

SS-12400-006
PART NUMBER

		11118 Susquehanna Trail South Glen Rock, PA 17327-9199 (717) 235-7512 http://www.stewartconnector.com	
		FILE: M12 X-CODE IP 68 PLASTIC CAP	
DO NOT SCALE DRAWING DRAWING IS SUBJECT TO CHANGE WITHOUT NOTICE		DIMENSIONS: METRIC	UNLESS OTHERWISE SPECIFIED TOLERANCES ARE: ANGLES ARE ± 1°
SHEET NO. 1 OF 1	THIS DRAWING AND THE SUBJECT MATTER SHOWN THEREON ARE CONFIDENTIAL AND THE PROPRIETARY PROPERTY OF STEWART CONNECTOR AND SHALL NOT BE REPRODUCED, COPIED, OR USED IN ANY MANNER WITHOUT PRIOR WRITTEN CONSENT OF STEWART CONNECTOR. ONE OR MORE U.S. PATENTS MAY APPLY TO THIS PRODUCT. FOR DETAILS, PLEASE VISIT: http://helpfuse.com/STEWART/PATENTS/	DRW BY: JMM APP'D BY: J.E DWG NO.: CT120019	DATE: 12/29/21 DATE: 6/14/22 REV: A0



AutoCAD A1 Metric