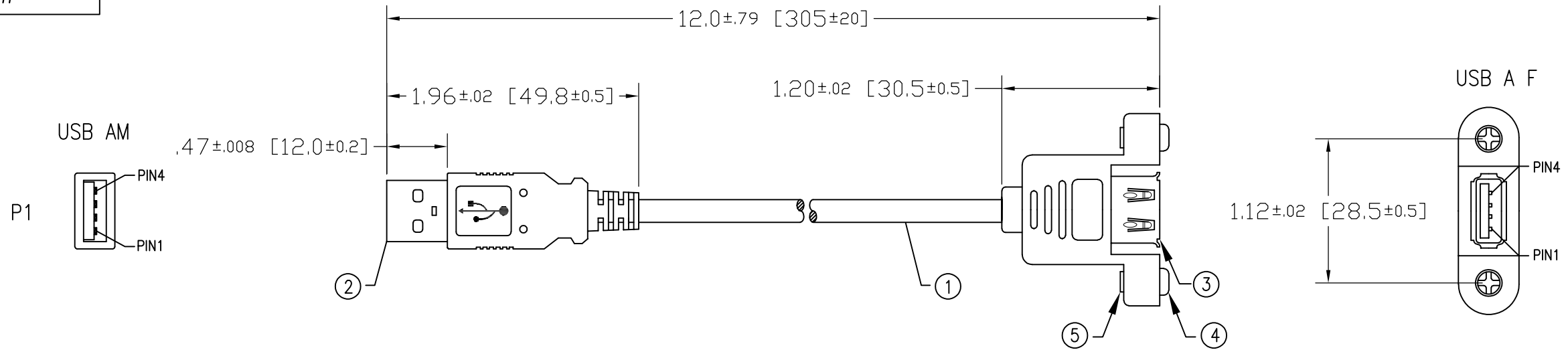


PART NUMBER
SC-2APK001F

DATE	REV	ECN	APP'D. BY
07/19/21	A0	Released	BTS
07/28/21	A1	11786	GWL
05/13/22	A2	11982	JMM

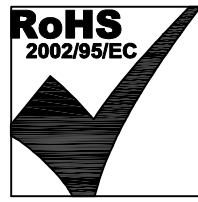


Notes:

1. Cable:
USB 2.0 CABLE, UL 2725 STYLE 1 TWISTED PAIR 28AWG AND 2C 24AWG, AMA BRAID, OD 4.5MM, JACKET BLACK,
2. Connector P1:
USB A MALE , GOLD FLASH ON CONTACTS, WHITE INSULATOR, CRIMP TWO PIECES TYPE OVER-MOLDED PVC COLOR: BLACK
3. Connector P2:
USB A FEMALE, GOLD FLASH ON CONTACTS, WHITE INSULATOR, OVER-MOLDED PVC COLOR: BLACK
4. SCREW: #4-40*8mm
5. HEX-NUT 5*7.7 mm
6. ELECTRICAL TEST:
 - 6.1. 100%TEST(OPEN ,SHORT ,WIRE MAP)
7. PACKAGING: EACH CABLE ASSEMBLY TO BE INDIVIDUALLY BAGGED
8. CABLE MARKING: HI-SPEED USB REVISION 2.0 SHIELDED 28AWG/1PR+24AWG/2C E300060 兎 AWM 2725 80°C 30V VW-1 CSA 204790 AWM 1/II A/B 80°C 30V FT1 MSL

P1	P2		
1	1	RED	24#
2	2	WHITE	
3	3	GREEN	
4	4	BLACK	24#
SHIELD	SHIELD		

ASSEMBLY FORMAT REV. 6/3/05



THIRD ANGLE PROJECTION
DO NOT SCALE DRAWING
DRAWING IS SUBJECT TO CHANGE WITHOUT NOTICE
DIMENSIONS: INCHES [METRIC]
UNLESS OTHERWISE SPECIFIED TOLERANCES ARE ±.005 [0.13] ANGLES ARE ± 1°
SHEET NO. 1 OF 1

 11118 Susquehanna Trail South Glen Rock, PA 17327-9199 (717) 235-7512 http://www.stewartconnector.com	TITLE: USB AM/AF WITH PANEL MOUNT 1FT	
	DRN BY: GWL APPD BY: BTS DWG NO. CT999260	DATE 07/14/21 DATE 07/19/21 REV. A2