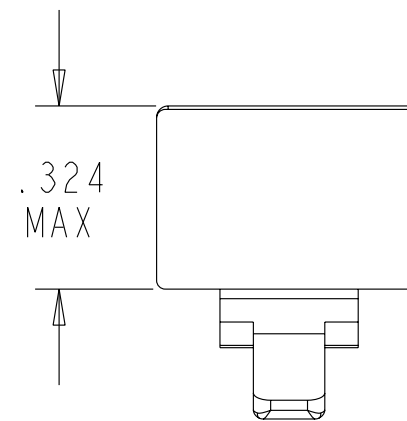
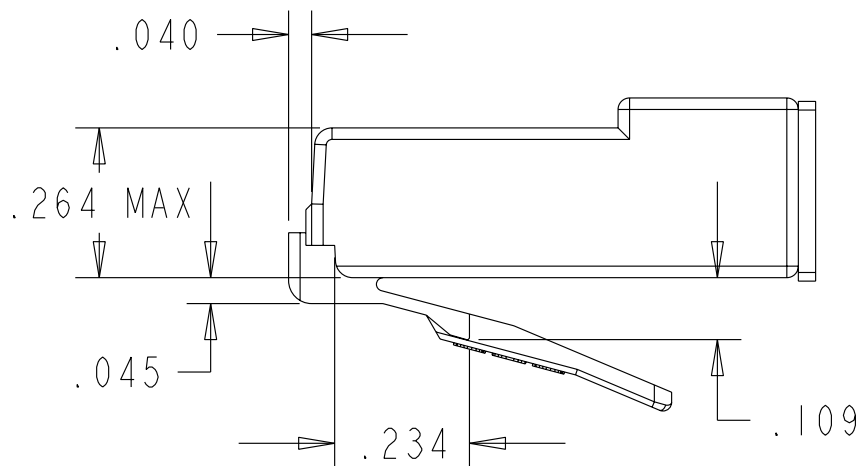
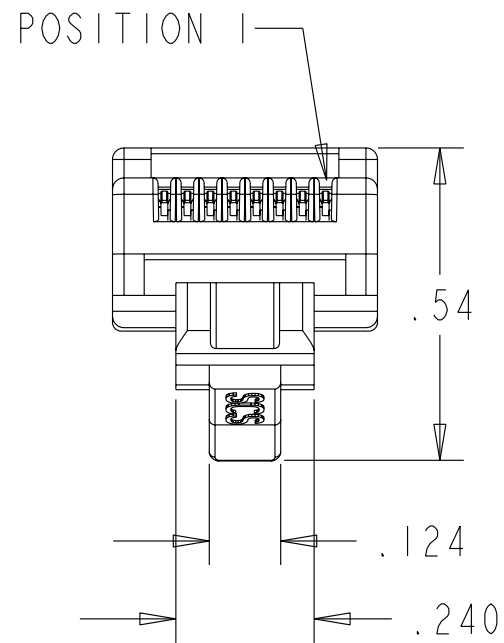
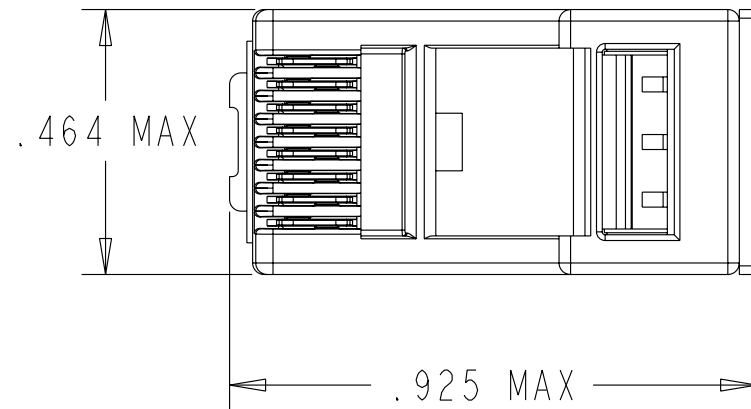
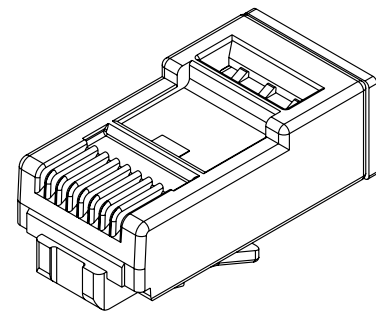


| DATE | REV. | ECN | APP'D BY |
|--------|------|-------|----------|
| 3-7-22 | A0 | 11941 | GL |
| 9/7/23 | A1 | 12253 | JE |
| | | | |
| | | | |



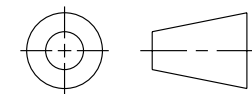
NOTES:

- MATERIALS:
 PLUG BODY: CLEAR POLYCARBONATE, UL 94-V0
 CONTACTS: COPPER ALLOY, SELECTIVE GOLD PLATING
 RESISTOR: 0.25W, RESISTANCE: SEE TABLE

2. FOR PRODUCT SPECIFICATION SEE PR0026-01

| | | | |
|------------|----------|-----------------------------------|--------------|
| 120 OHMS | 1/2-4/5 | 50 MICRO-INCHES [1.27µm] | ASY39100-005 |
| 47K OHMS | 6/8 | 50 MICRO-INCHES [1.27µm] | ASY39100-004 |
| 120 OHMS | 4/5 | | |
| 120 OHMS | 1/2-3/6 | 50 MICRO-INCHES [1.27µm] | ASY39100-003 |
| 120 OHMS | 3/6 | 50 MICRO-INCHES [1.27µm] | ASY39100-002 |
| 120 OHMS | 1/2 | 50 MICRO-INCHES [1.27µm] | ASY39100-001 |
| RESISTANCE | RESISTOR | CONTACT PLATING IN MATING AREA | PART NUMBER |

THIRD ANGLE PROJECTION



11118 Susquehanna Trail South
 Glen Rock, PA 17327-9199
 (717) 235-7512
<http://www.stewartconnector.com>

DO NOT SCALE DRAWING
 DRAWING IS SUBJECT TO
 CHANGE WITHOUT NOTICE

TITLE: RJ45 TERMINATOR

DIMENSIONS: INCHES [METRIC]
 UNLESS OTHERWISE SPECIFIED
 TOLERANCES ARE ±.005 [0.13]
 ANGLES ARE ±1°

THIS DRAWING AND THE SUBJECT MATTER SHOWN THEREON
 ARE CONFIDENTIAL AND THE PROPRIETARY PROPERTY OF
 STEWART CONNECTOR AND SHALL NOT BE REPRODUCED,
 COPIED, OR USED IN ANY MANNER WITHOUT PRIOR WRITTEN
 CONSENT OF STEWART CONNECTOR. ONE OR MORE U.S. PATENTS
 MAY APPLY TO THIS PRODUCT. FOR DETAILS, PLEASE
 VISIT: [HTTP://BELFUSE.COM/STEWART/STEWART_PATENTS/](http://BELFUSE.COM/STEWART/STEWART_PATENTS/)

| | | | |
|----------|----------|------|----------|
| DRN BY: | JE | DATE | 11/12/21 |
| APPD BY: | GL | DATE | 3/7/22 |
| DWG. NO. | CT390241 | REV. | A1 |

SHEET NO. 1 OF 1

