

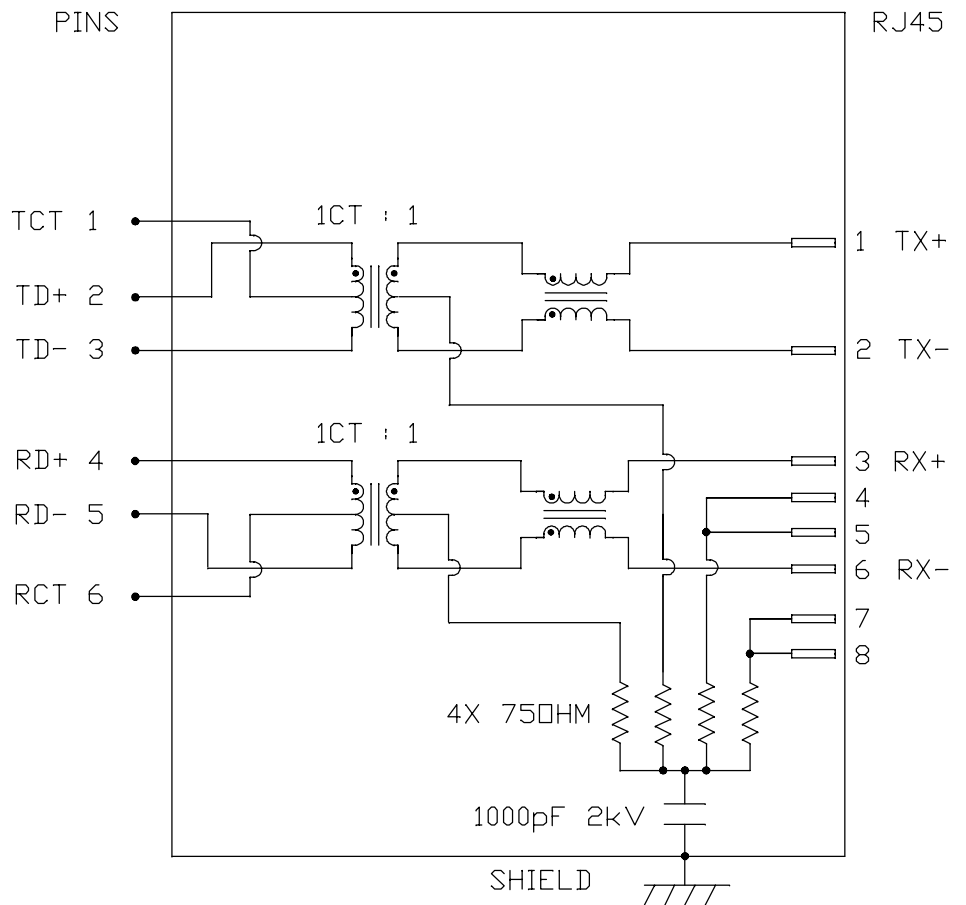
THE INFORMATION CONTAINED HEREIN IS CONSIDERED "PROPRIETARY" TO BEL FUSE INC. AND SHALL NOT BE COPIED, REPRODUCED OR DISCLOSED WITHOUT THE WRITTEN APPROVAL OF BEL FUSE INC.



SCHEMATIC

ELECTRICAL CHARACTERISTICS @ 25°C

<b>URNS RATIO</b>	
TX	1CT : 1
RX	1CT : 1
<b>CL @ 100kHz/100mVRMS</b>	
8mA DC BIAS	350µH MIN.
<b>INS. LOSS</b>	
1MHZ TO 100MHZ	-1.0 dB MAX
<b>RET. LOSS (MIN)</b>	
1MHZ-30MHZ	-18 dB
30MHZ-60MHZ	-18+20LOG(F/30MHZ) dB
60MHZ-80MHZ	-12 dB
<b>CROSS TALK (TX - RX)</b>	
500kHz-100MHZ	-35 dB MIN
<b>CM TO CM REJ</b>	
100kHz-100MHZ	-30 dB MIN
<b>CM TO DM REJ</b>	
100kHz-100MHZ	-40 dB MIN
<b>HIPOT (Isolation Voltage):</b>	
100% OF PRODUCTION TESTED TO COMPLY WITH IEEE 802.3 ISOLATION REQUIREMENT	1500 Vrms
<b>OPERATING TEMPERATURE: -40°C TO 85°C</b>	



ORIGINATED BY  
CHOW WANCHUNG  
DATE 2017-06-07  
DRAWN BY  
XIE YIMING  
DATE 2017-06-07

TITLE  
MagJack®  
4 CORE, WITH CM TERM  
Extended temperature  
S811-1X1T-36-F

PART NO. / DRAWING NO.  
S8111X1T36-F  
FILE NAME  
S8111X1T36-F\_E.DWG

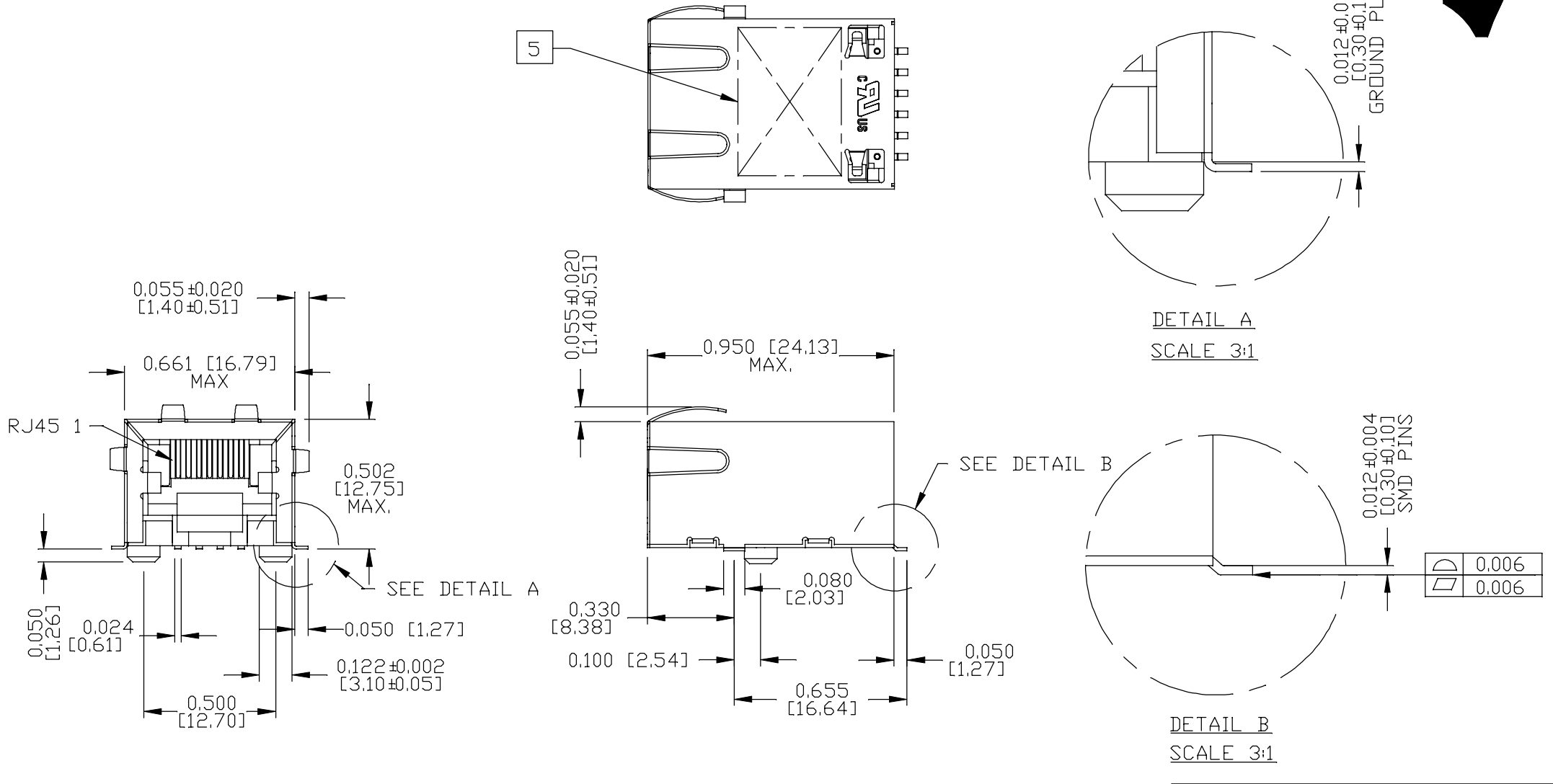
STANDARD DIM. TOL. IN INCH	[ ] METRIC DIM. AS REF.
.X	UNIT : INCH [mm]
.XX	SCALE : N/A
.XXX	SIZE : A4

REV. : E PAGE : 2

a bel group

THE INFORMATION CONTAINED HEREIN IS CONSIDERED "PROPRIETARY" TO BEL FUSE INC. AND SHALL NOT BE COPIED, REPRODUCED OR DISCLOSED WITHOUT THE WRITTEN APPROVAL OF BEL FUSE INC.

RoHS



ORIGINATED BY  
ANTON LIAO  
DATE 2017-06-07  
DRAWN BY  
SANDY LIN  
DATE 2017-06-07

TITLE  
MagJack®  
4 CORE, WITH CM TERM  
Extended temperature  
S811-1X1T-36-F

PART NO. / DRAWING NO.  
S811X1T36-F  
FILE NAME  
S811X1T36-F\_E.DWG

STANDARD DIM. TOL. IN INCH	[ ] METRIC DIM. AS REF.
.X	UNIT : INCH [mm]
.XX	SCALE : N/A
.XXX	SIZE : A4

REV. : E PAGE : 3

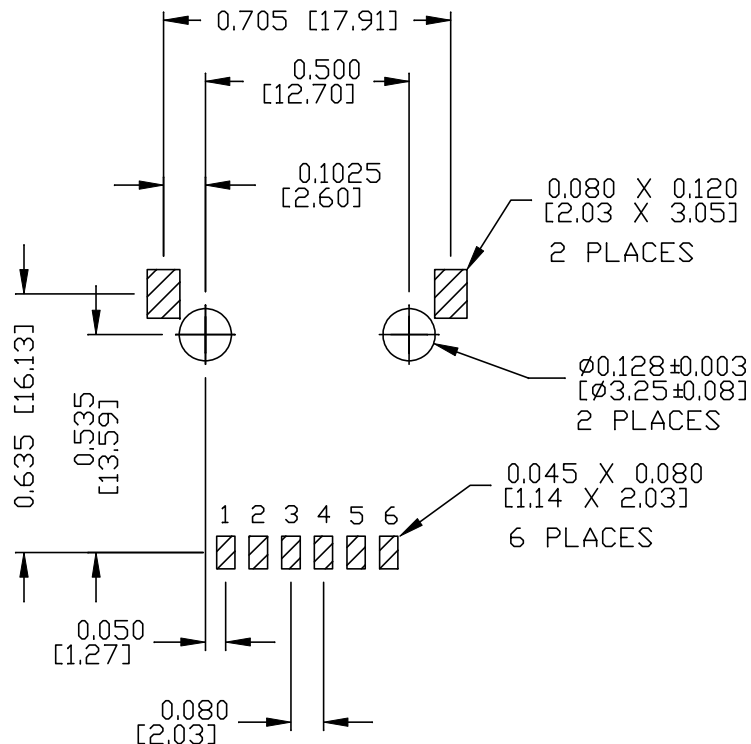


THE INFORMATION CONTAINED HEREIN IS CONSIDERED 'PROPRIETARY' TO BEL FUSE INC. AND SHALL NOT BE COPIED, REPRODUCED OR DISCLOSED WITHOUT THE WRITTEN APPROVAL OF BEL FUSE INC.


RoHS



RECOMMENDED PCB FOOTPRINT  
COMPONENT SIDE VIEW



NOTES:

1. PLASTIC HOUSING: THERMOPLASTIC PA & THERMOSET PHENOLIC. BLACK FLAMMABILITY RATING UL 94V-0
2. CONTACTS PLATING: 50 MICRO-INCH HARD GOLD PLATING OR EQUIVALENT.
3. PINS: TIN-COATED COPPER WIRE, 0.024 [0.6] X 0.012 [0.3] THK. 100 MICRO-INCH MIN MATTE TIN. PINS ARE SOLDER DIPPED.
4. METAL SHIELD: NICKEL PLATED ON COPPER ALLOY.
5. MARK PART WITH MFG. LOGO, MFG. NAME, PART NUMBER, DATE CODE.  
 USUL RECOGNIZED - FILE #E196366 AND E169987.
6. JACK CAVITY CONFORMS TO FCC RULES AND REGULATIONS.
7. THE PRODUCT IS RoHS COMPLIANT.
8. THE PART IS RECOMMENDED FOR IR REFLOW. THE SUGGESTED PEAK IR REFLOW CONDITION IS 245°C MAX AND 30 SECONDS MAX.

REV. : E PAGE : 4

ORIGINATED BY  
ANTON LIAO  
DATE 2017-06-07  
DRAWN BY  
SANDY LIN  
DATE 2017-06-07

TITLE  
MagJack®  
4 CORE, WITH CM TERM  
Extended temperature  
S811-1X1T-36-F

PART NO. / DRAWING NO.  
S8111X1T36-F  
FILE NAME  
S8111X1T36-F\_E.DWG

STANDARD DIM. TOL. IN INCH		[ ] METRIC DIM. AS REF.
.X		UNIT : INCH [mm]
.XX		SCALE : N/A
.XXX	±0.004	SIZE : A4

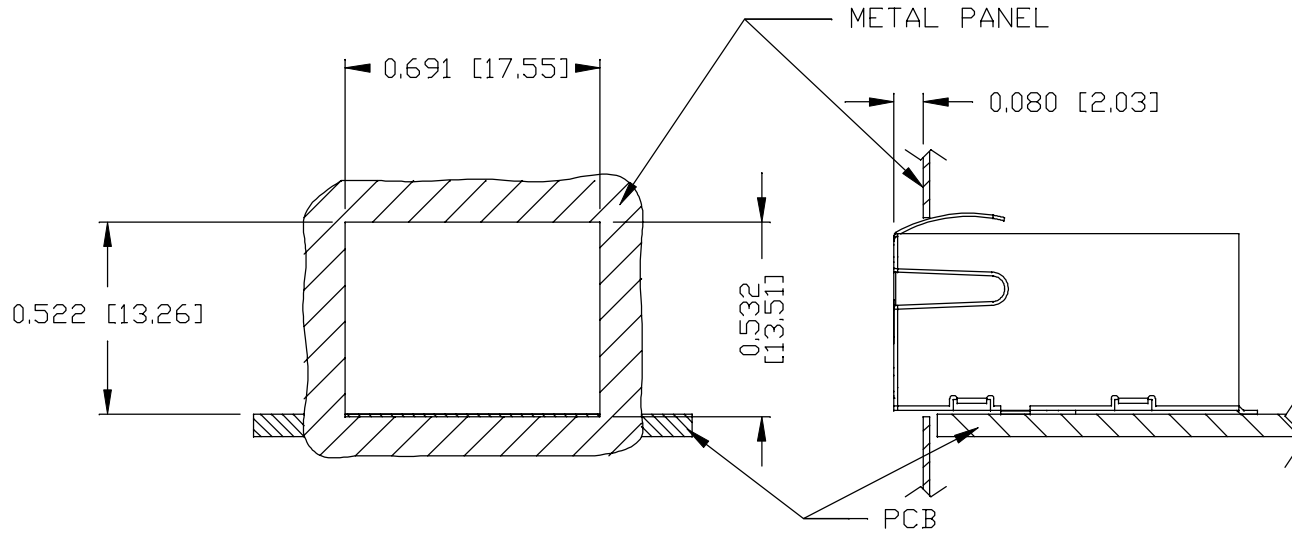


THE INFORMATION CONTAINED HEREIN IS CONSIDERED "PROPRIETARY" TO BEL FUSE INC. AND SHALL NOT BE COPIED, REPRODUCED OR DISCLOSED WITHOUT THE WRITTEN APPROVAL OF BEL FUSE INC.

RoHS



SUGGESTED PANEL OPENING



NOTES:

THE DISTANCE OF PANEL INSIDE SURFACE RELATIVE TO FRONT SURFACE OF PART IS ONLY A SUGGESTION.

IN CASE THIS DISTANCE IS DIFFERENT, THE REQUIRED PANEL OPENING DIMENSIONS CHANGE ACCORDINGLY.

REV. :	E	PAGE :	5
--------	---	--------	---

ORIGINATED BY ANTON LIAO
DATE 2017-06-07
DRAWN BY SANDY LIN
DATE 2017-06-07

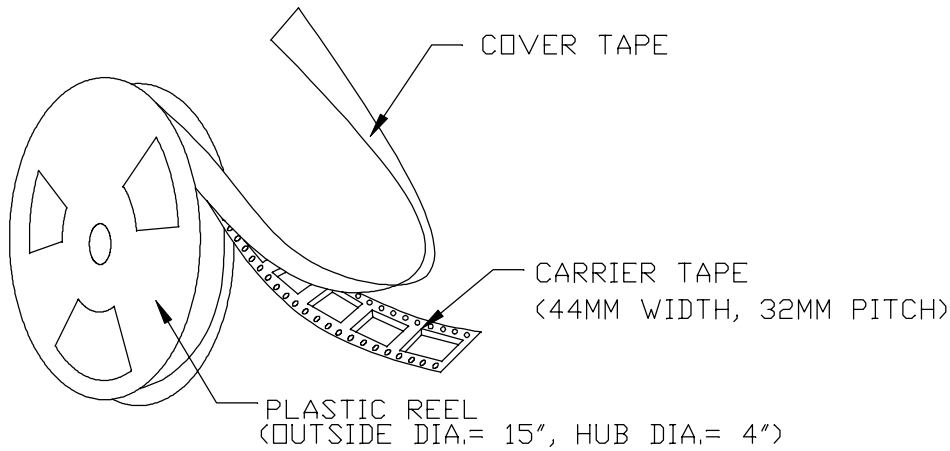
TITLE MagJack® 4 CORE, WITH CM TERM Extended temperature S811-1X1T-36-F
---

PART NO. / DRAWING NO. S8111X1T36-F
FILE NAME S8111X1T36-F_E.DWG

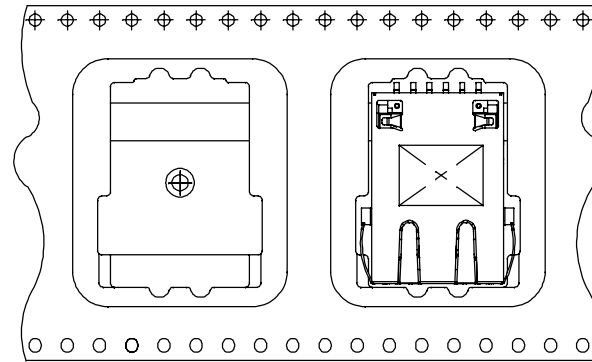
STANDARD DIM. TOL. IN INCH	[ ] METRIC DIM. AS REF.
.X	UNIT : INCH [mm]
.XX	SCALE : N/A
.XXX ±0.004	SIZE : A4



THE INFORMATION CONTAINED HEREIN IS CONSIDERED "PROPRIETARY" TO BEL FUSE INC. AND SHALL NOT BE COPIED, REPRODUCED OR DISCLOSED WITHOUT THE WRITTEN APPROVAL OF BEL FUSE INC.



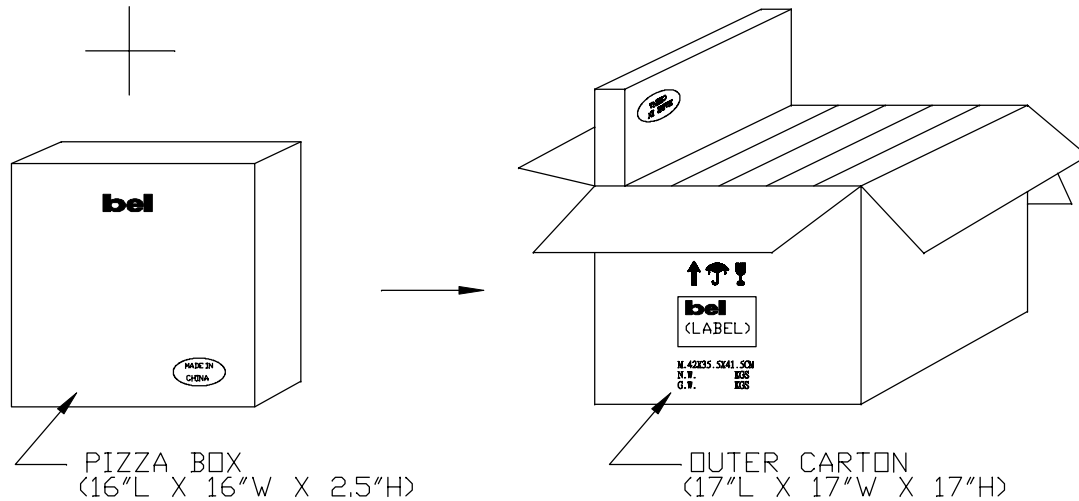
USER FEED DIRECTION



PART ORIENTATION & FEEDING DIRECTION.

NOTES:

- 1) LEAVES 48 INCHES COVER TAPE AND 5 EMPTY POCKETS AT TRAILER.
- 2) LEAVES 24 INCHES COVER TAPE AND 13 EMPTY POCKETS AT LEADER.
- 3) PACK 175 PCS PER REEL.
- 4) EACH PIZZA BOX CONTAINS ONE (1) REEL. (175 PCS FINISHED GOODS EACH PIZZA BOX).
- 5) EACH OUTER CARTON CONTAINS SIX (6) PIZZA BOXES. (1050 PCS FINISHED GOODS EACH OUTER CARTON).



ORIGINATED BY  
ANTON LIAO  
DATE 2017-06-07  
DRAWN BY  
SANDY LIN  
DATE 2017-06-07

TITLE  
MagJack®  
4 CORE, WITH CM TERM  
Extended temperature  
S811-1X1T-36-F

PART NO. / DRAWING NO.  
S811X1T36-F  
FILE NAME  
S811X1T36-F\_E.DWG

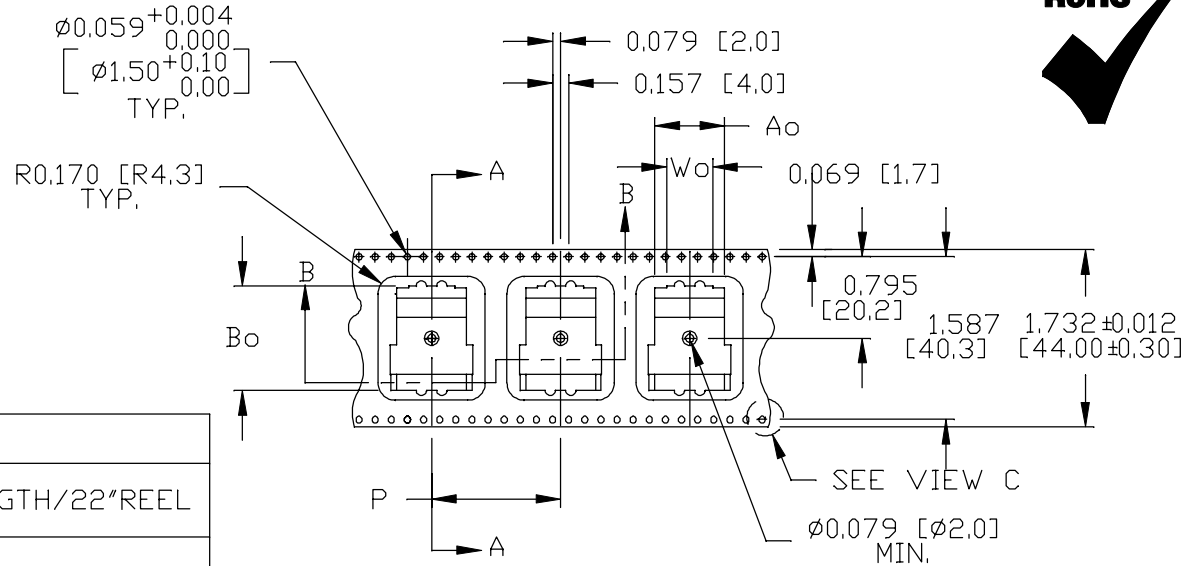
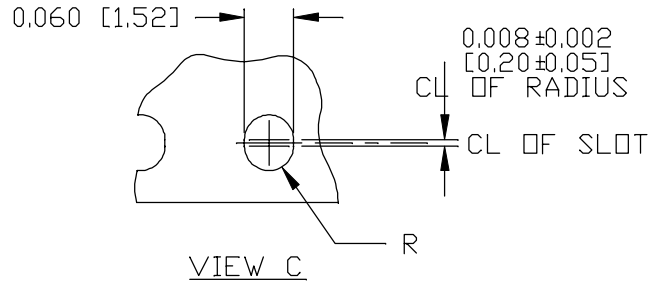
STANDARD DIM. TOL. IN INCH	[ ] METRIC DIM. AS REF.
.X	UNIT : INCH [mm]
.XX	SCALE : N/A
.XXX ±0.004	SIZE : A4

REV. : E PAGE : 6



THE INFORMATION CONTAINED HEREIN IS CONSIDERED "PROPRIETARY" TO BEL FUSE INC. AND SHALL NOT BE COPIED, REPRODUCED OR DISCLOSED WITHOUT THE WRITTEN APPROVAL OF BEL FUSE INC.

RoHS

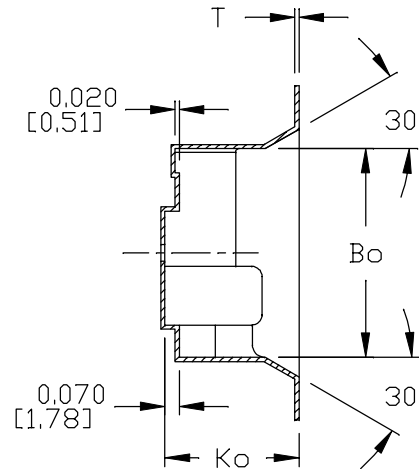


DIMENSION CHART

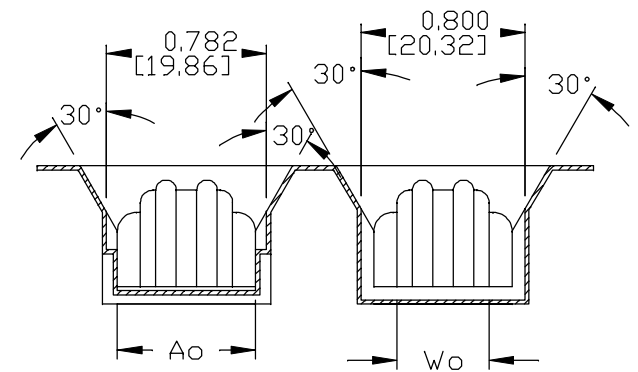
PART NUMBER	Ao	Bo	Ko	P	Wo	T	LENGTH/22" REEL
N220-0405-46	0,670 [17,02]	1,010 [25,65]	0,635 [16,13]	1,260 [32,00]	0,505 [12,83]	0,020 [0,50]	13 METERS

NOTES :

1. ALL OTHER SPECIFICATIONS SHOULD MEET EIA 481-D STANDARD.
2. CARRIER TAPE: N220-0405-46



SECTION A-A



SECTION B-B

FOR CARRIER TAPE

REV. :	E	PAGE :	7

ORIGINATED BY ANTON LIAO	<b>TITLE</b> MagJack® 4 CORE, WITH CM TERM Extended temperature
DATE 2017-06-07	
DRAWN BY SANDY LIN	
DATE 2017-06-07	S811-1X1T-36-F

<b>PART NO. / DRAWING NO.</b> S811X1T36-F	
<b>FILE NAME</b> S811X1T36-F_E.DWG	

<b>STANDARD DIM. TOL. IN INCH</b> .X .XX .XXX		<b>[ ] METRIC DIM. AS REF.</b> UNIT : INCH [mm] SCALE : N/A SIZE : A4	
	#0.004		

<b>REV. :</b> E		<b>PAGE :</b> 7	
-----------------	--	-----------------	--