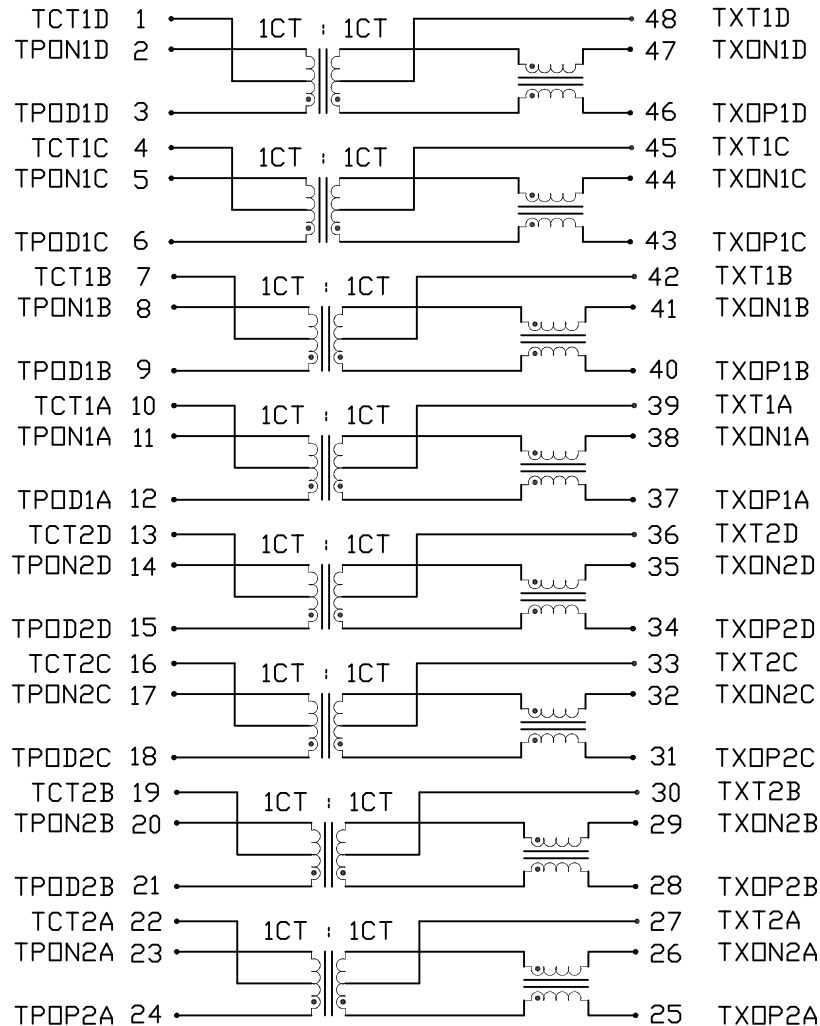


THE INFORMATION CONTAINED HEREIN IS CONSIDERED "PROPRIETARY" TO BEL FUSE INC. AND SHALL NOT BE COPIED, REPRODUCED OR DISCLOSED WITHOUT THE WRITTEN APPROVAL OF BEL FUSE INC.

RoHS



SCHEMATIC



ELECTRICAL CHARACTERISTICS @ 25°C

URNS RATIO	1CT : 1CT ±2%										
CL	350µH MIN. @100kHz, 100mV, WITH 8mA D.C. BIAS PIN (46-47), (43-44), (40-41), (37-38) PIN (34-35), (31-32), (28-29), (25-26)										
INSERTION LOSS	<table border="1"> <thead> <tr> <th>FREQ.</th> <th>1MHz</th> <th>65MHz</th> <th>100MHz</th> <th>125MHz</th> </tr> </thead> <tbody> <tr> <td>MAX.</td> <td>1.1dB</td> <td>0.5dB</td> <td>0.8dB</td> <td>1.2dB</td> </tr> </tbody> </table>	FREQ.	1MHz	65MHz	100MHz	125MHz	MAX.	1.1dB	0.5dB	0.8dB	1.2dB
FREQ.	1MHz	65MHz	100MHz	125MHz							
MAX.	1.1dB	0.5dB	0.8dB	1.2dB							
RETURN LOSS MEASURED UNDER A 100 Ω ENVIRONMENT	18dB MIN. @ 0.5 TO 40 MHz 12-20LOG(f/80MHz)dB MIN. @ 40 TO 100MHz										
COMMON TO COMMON MODE REJECTION	30dB MIN. @ 0.1 TO 100MHz										
CROSS TALK	33-20LOG(f/100MHz)dB MIN. @ 1 TO 100MHz										
HIPOT	LEAKAGE CURRENT LESS THAN 1mA AT 1500VAC										

ORIGINATED BY	DATE
Alice Pang	2021-01-27
DRAWN BY	DATE
ZC Guo	2021-01-27

TITLE
ELECTRICAL SPECIFICATION
S558-5999-Q2-F

PART NO. / DRAWING NO.
S558-5999-Q2-F
FILE NAME
S5585999Q2FA.DWG

STANDARD DIM.	[] METRIC DIM. AS REF.
TOL. IN INCH	UNIT : INCH [mm]
.X	SCALE : N/A
.XX	SIZE : A4
.XXX	

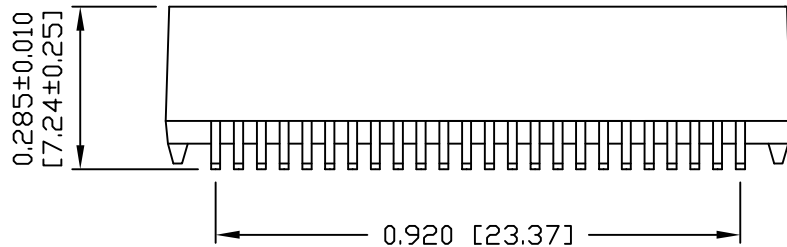
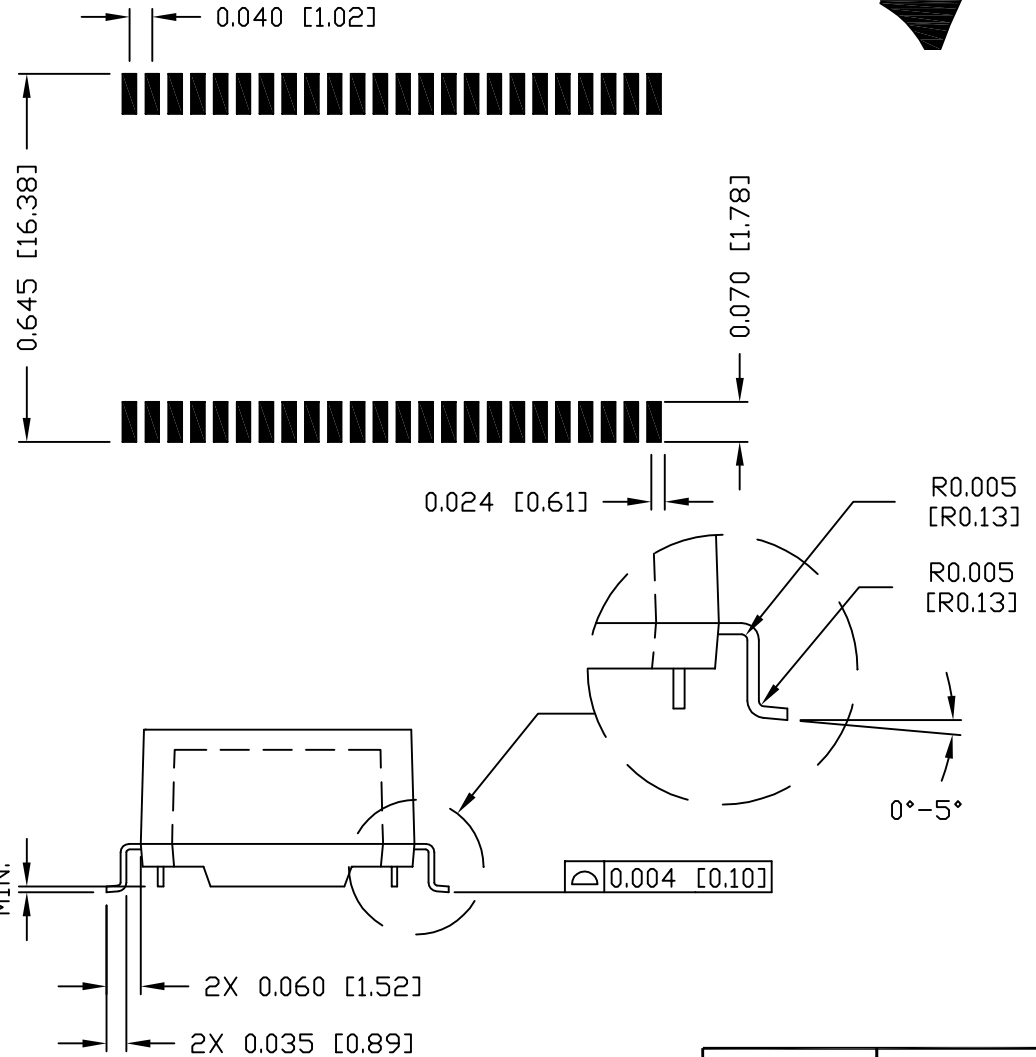
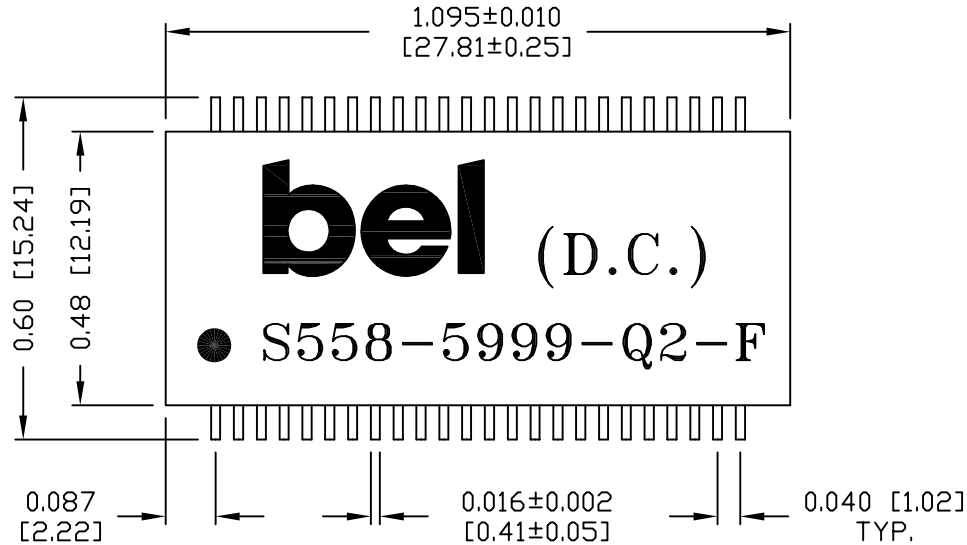
REV. : A PAGE : 2



THE INFORMATION CONTAINED HEREIN IS CONSIDERED "PROPRIETARY" TO BEL FUSE INC. AND SHALL NOT BE COPIED, REPRODUCED OR DISCLOSED WITHOUT THE WRITTEN APPROVAL OF BEL FUSE INC.



SUGGESTED PCB PAD LAYOUT



NOTES:

- STANDARD MARKING REFER TO DDC. HAND-WORK-04.
- PACKAGE CODE: "QVS001".

ORIGINATED BY	DATE
Lawrence Tsang	2021-01-27
DRAWN BY	DATE
ZC Guo	2021-01-27

TITLE
MECHANICAL DRAWING S558-5999-Q2-F

PART NO. / DRAWING NO.
S558-5999-Q2-F
FILE NAME
S5585999Q2FA.DWG

STANDARD DIM.	[] METRIC DIM. AS REF.
TOL. IN INCH	UNIT : INCH [mm]
.X	SCALE : N/A
.XX ±0.01	SIZE : A4
.XXX ±0.005	

REV. : A	PAGE : 3
----------	----------

