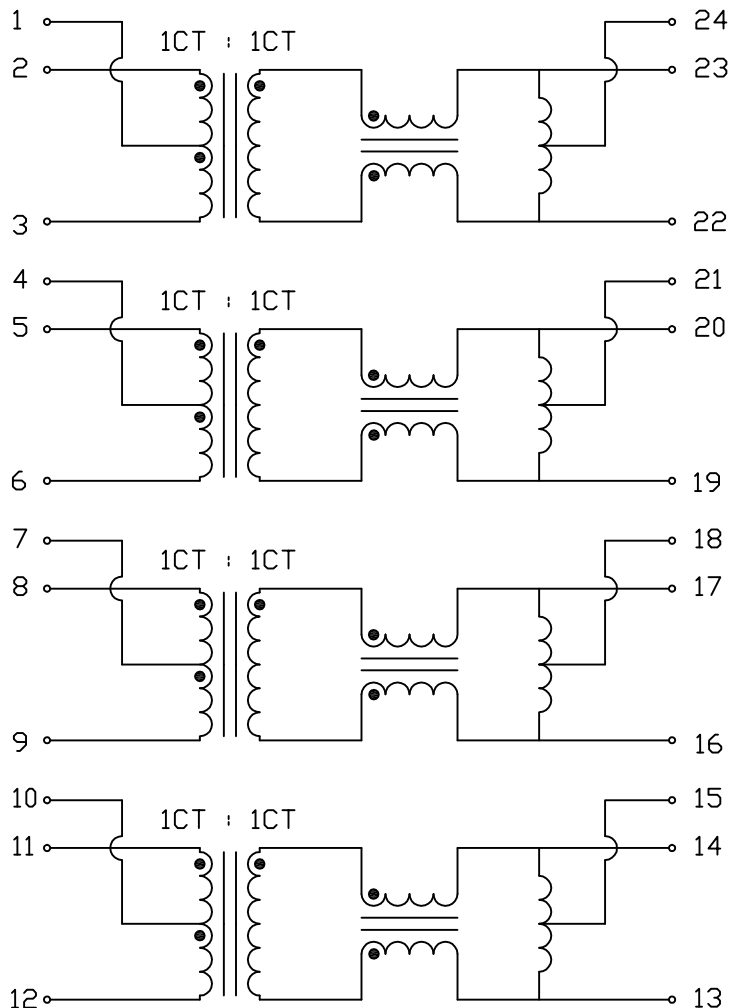


THE INFORMATION CONTAINED HEREIN IS CONSIDERED 'PROPRIETARY' TO BEL FUSE INC. AND SHALL NOT BE COPIED, REPRODUCED OR DISCLOSED WITHOUT THE WRITTEN APPROVAL OF BEL FUSE INC.



SCHEMATIC



ELECTRICAL SPECIFICATIONS @25°C

<p>URNS RATIO</p> <p>PHASE</p> <p>□CL</p> <p>INSERTION LOSS</p> <p>RETURN LOSS</p> <p>CROSSTALK</p> <p>COMMON TO COMMON REJECTION</p> <p>HIPOT</p>	<p>1CT : 1CT</p> <p>2 TO 23, 5 TO 20, 8 TO 17, 11 TO 14 IN PHASE</p> <p>350uH MIN. AT 100kHz, 100mV (22-23), (19-20), (16-17), (13-14) WITH 8mA DC BIAS, FROM 0 -70°C</p> <p>1.0dB MAX. @ 1 TO 100MHz 1.5dB MAX. @ 125MHz</p> <p>18dB MIN. @ 1-30MHz 15dB MIN. @ 60MHz 12dB MIN. @ 80MHz 10dB MIN. @ 100MHz</p> <p>35dB MIN. AT 10 TO 100 MHz</p> <p>30dB MIN. AT 100kHz TO 155MHz</p> <p>LEAKAGE CURRENT LESS THAN 1mA AT 1500VAC</p>
--	--

ORIGINATED BY	DATE
Alice Pang	2021-01-28
DRAWN BY	DATE
ZC Guo	2021-01-28

TITLE
ELECTRICAL SPECIFICATION
S558-5999-BA-F

PART NO. / DRAWING NO.
S558-5999-BA-F
FILE NAME
S5585999BAFA.DWG

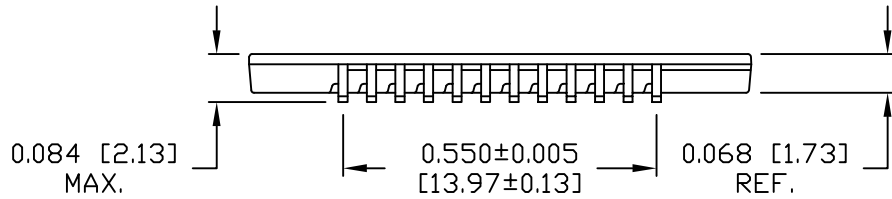
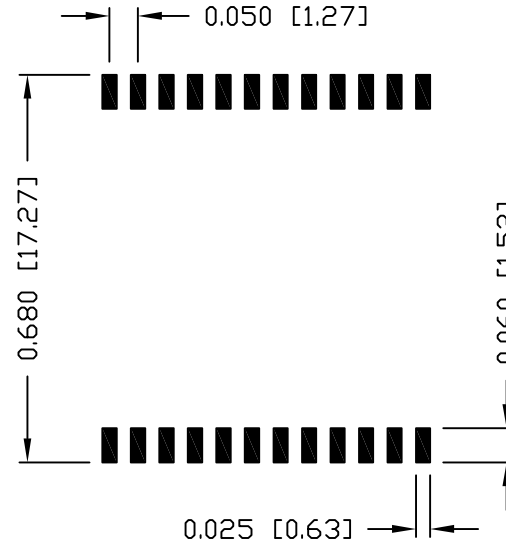
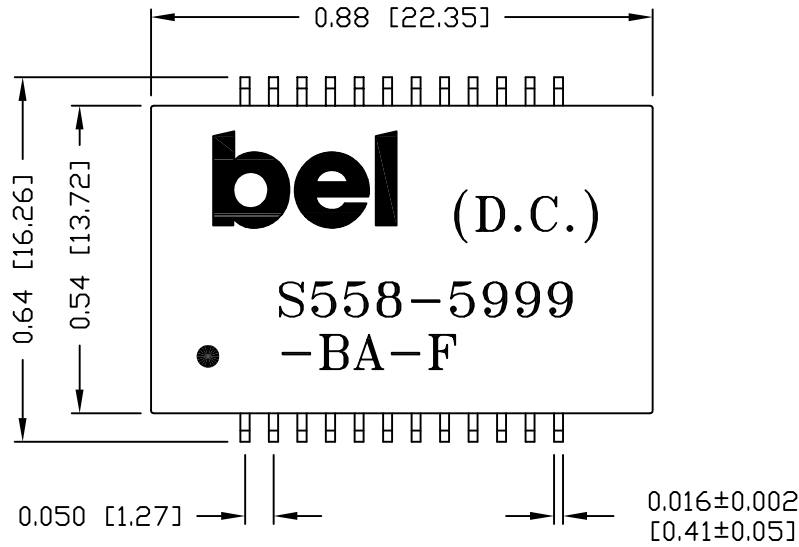
STANDARD DIM.	[] METRIC DIM. AS REF.
TOL. IN INCH	UNIT : INCH [mm]
.X	SCALE : N/A
.XX	SIZE : A4
.XXX	

REV. : A	PAGE : 2

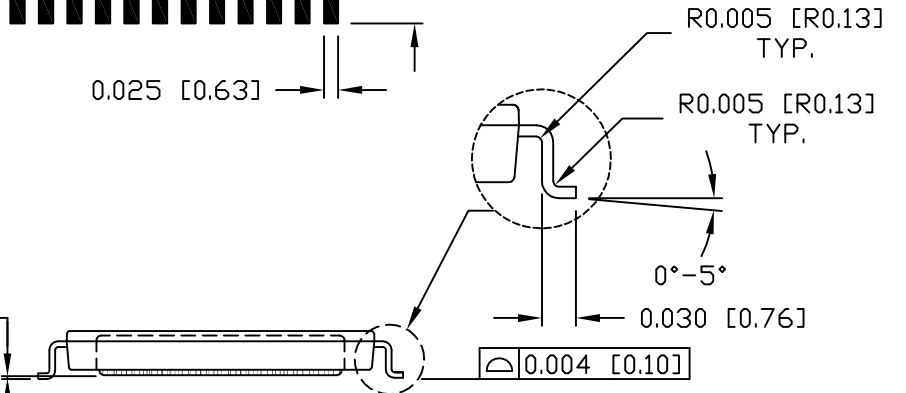
THE INFORMATION CONTAINED HEREIN IS CONSIDERED 'PROPRIETARY' TO BEL FUSE INC. AND SHALL NOT BE COPIED, REPRODUCED OR DISCLOSED WITHOUT THE WRITTEN APPROVAL OF BEL FUSE INC.



SUGGESTED PCB PAD LAYOUT



BETWEEN COMPONENTS AND INTERNAL LEADS TO SEATING PLANE WITH 0.002" MIN CLEARANCE



NOTES:

- STANDARD MARKING REFER TO DOC. HAND-WORK-04.
- PACKAGE CODE: "RJS001".

ORIGINATED BY	DATE	TITLE	PART NO. / DRAWING NO.	STANDARD DIM.	[] METRIC DIM. AS REF.	REV. : A	PAGE : 3
Lawrence Tsang	2021-01-28	MECHANICAL DRAWING S558-5999-BA-F	S558-5999-BA-F	TOL. IN INCH	UNIT : INCH [mm]		POWER PROTECT CONNECT
DRAWN BY	DATE		FILE NAME	.X	SCALE : N/A		
ZC Guo	2021-01-28		S5585999BAFA.DWG	.XX ±0.01	SIZE : A4		
				.XXX ±0.005			