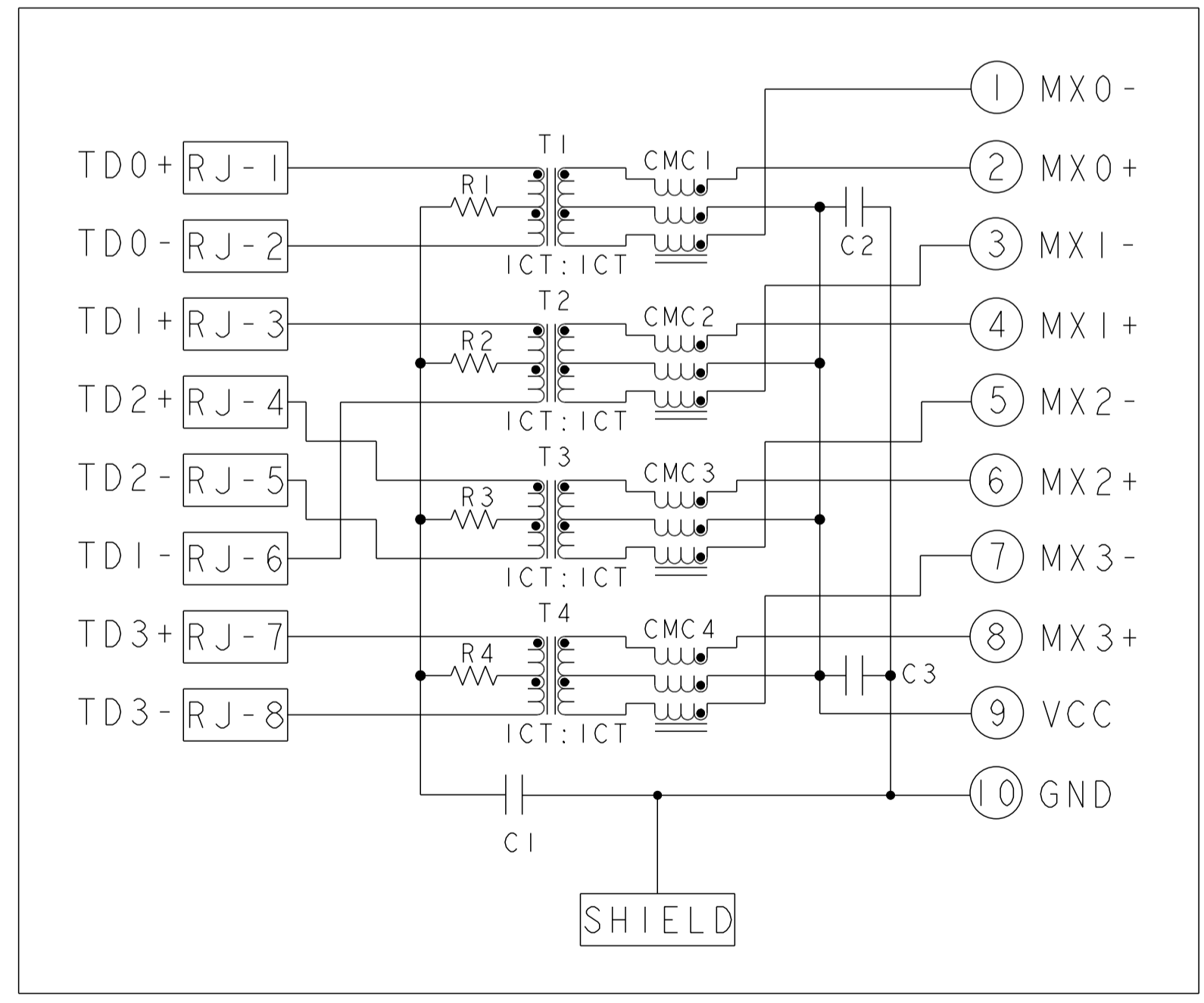


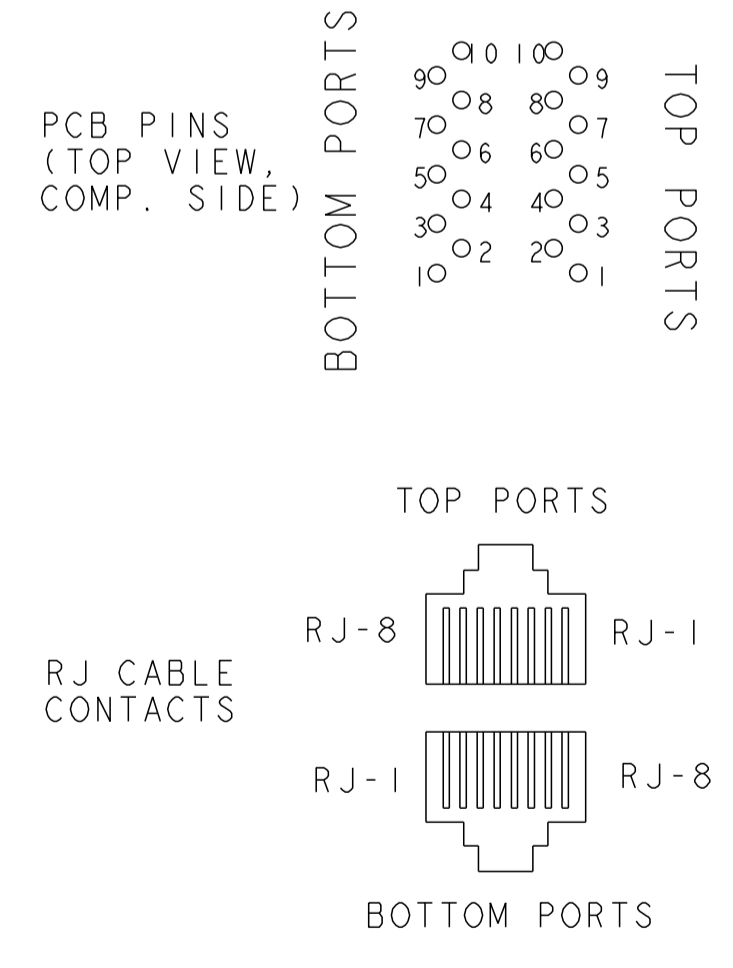
S8G56 GIGABIT CIRCUIT

TOP AND BOTTOM PORTS



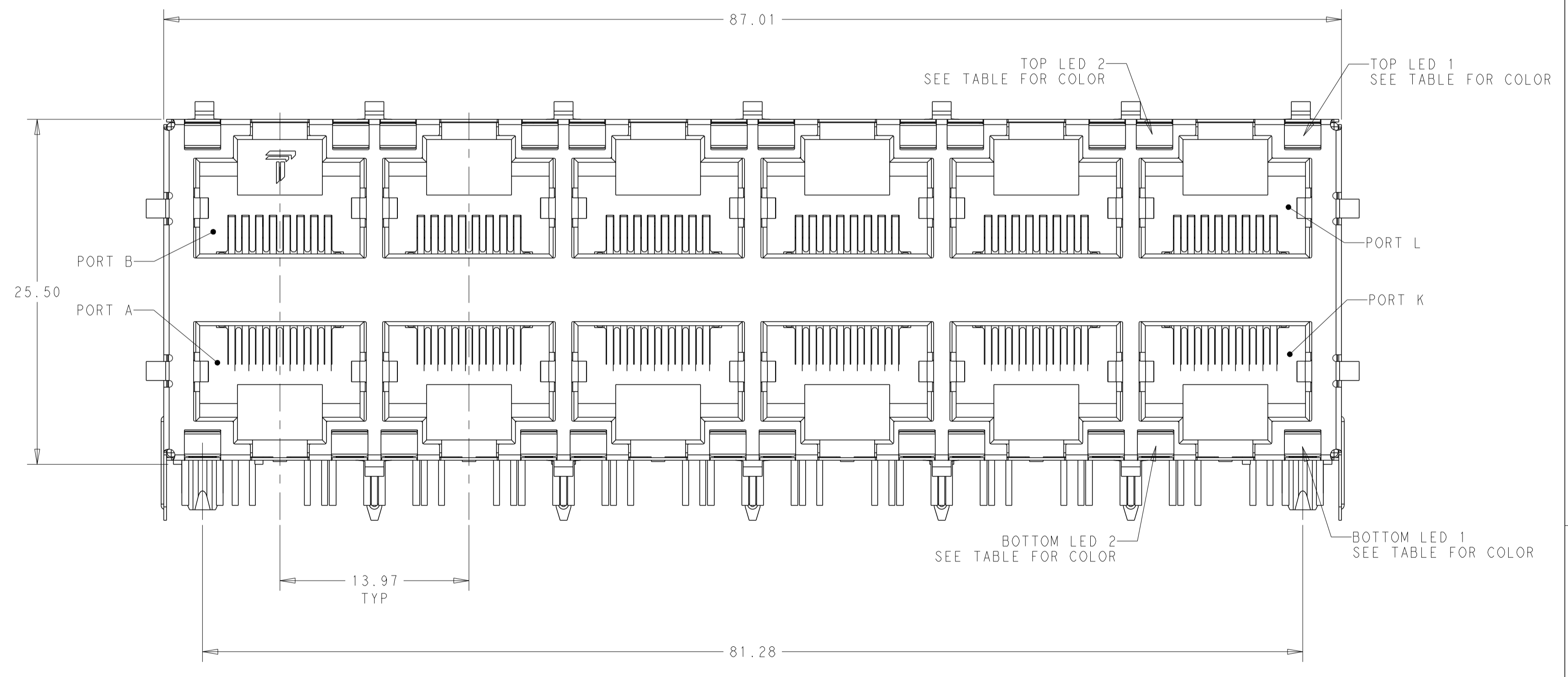
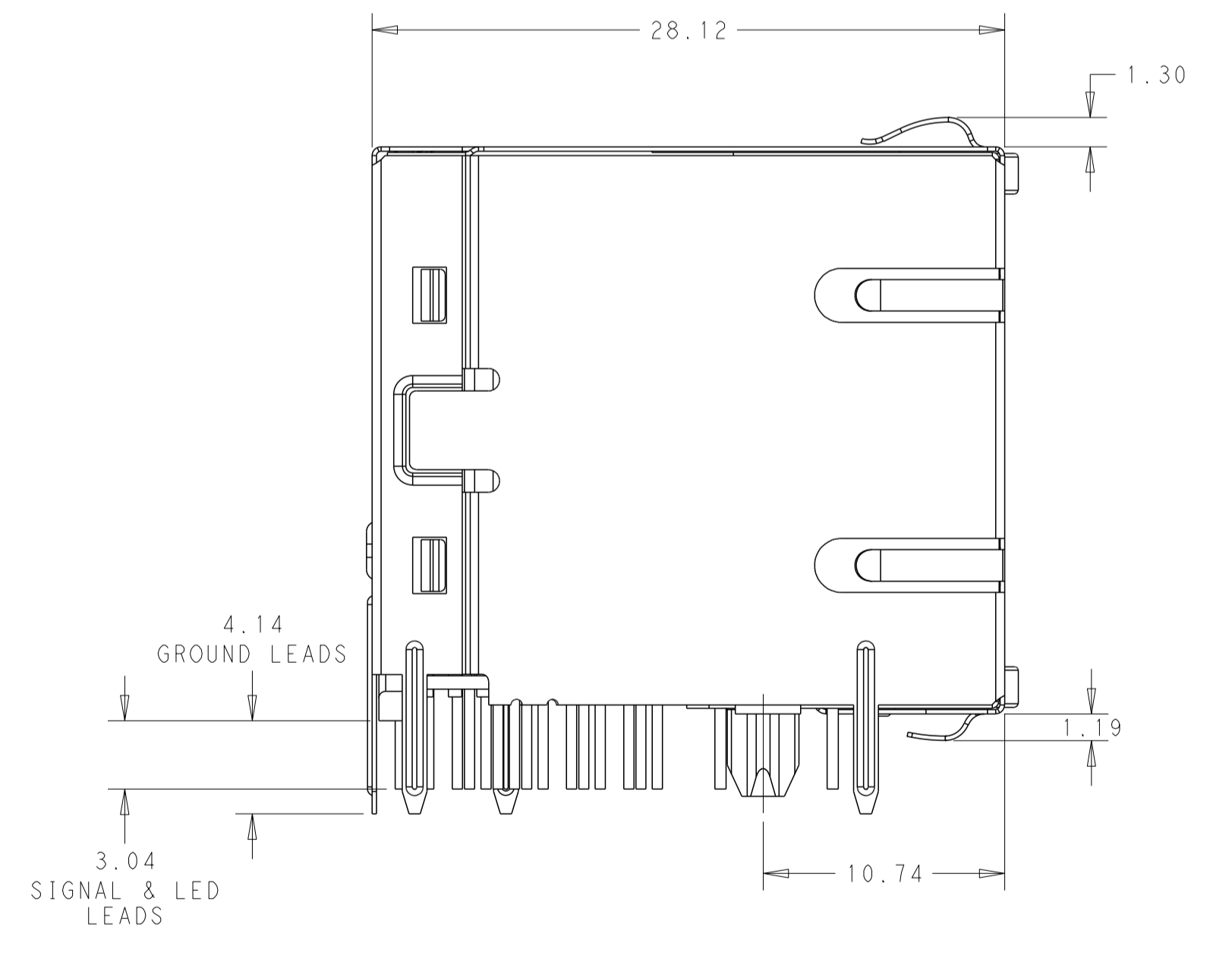
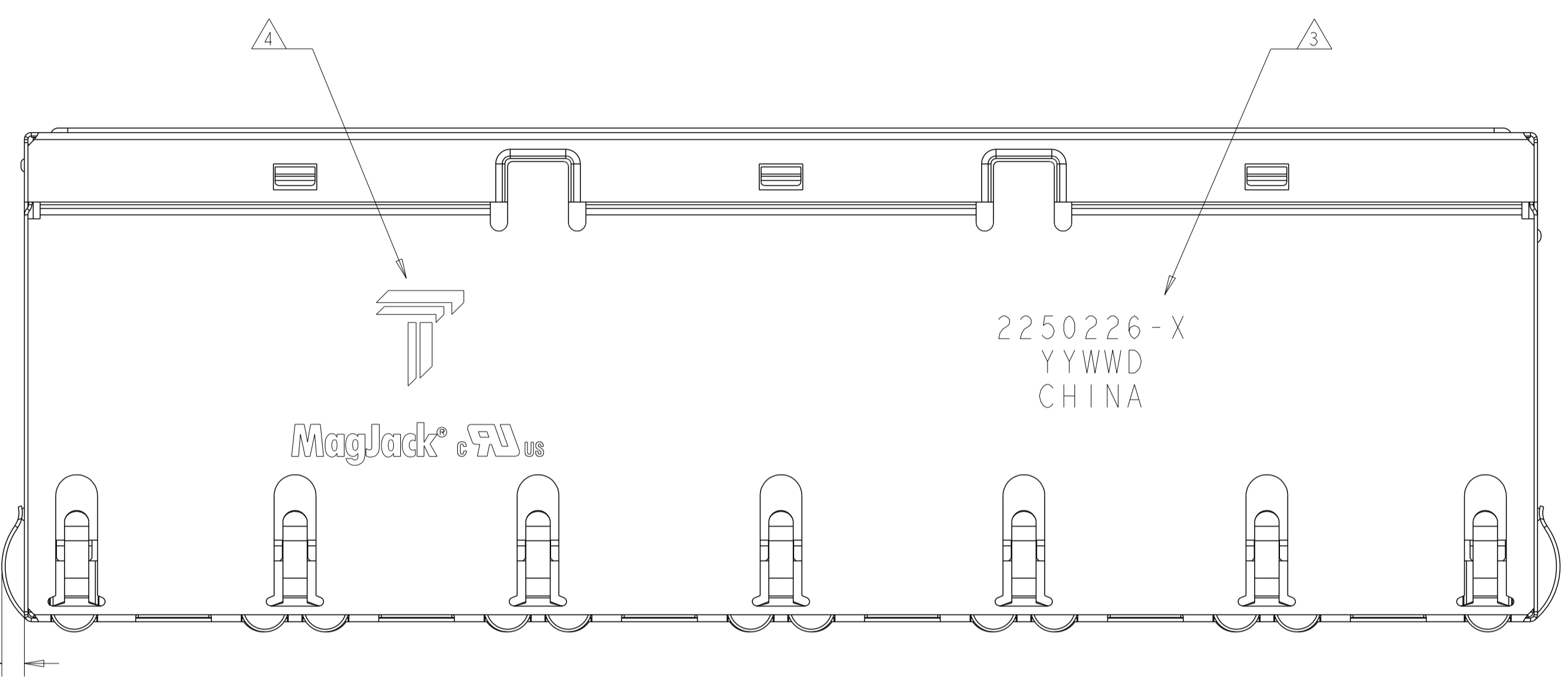
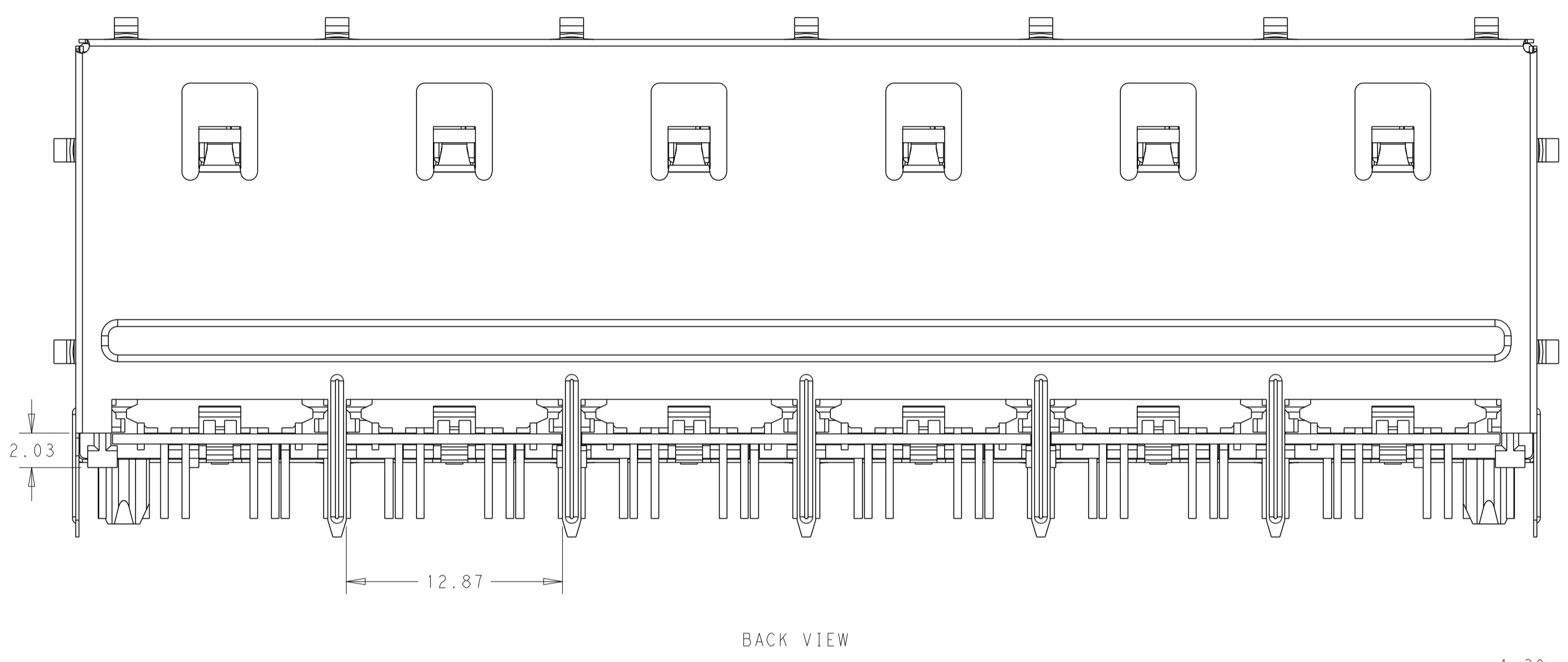
C1 = 1000pF, 2kV CAPACITOR
 C2 - C3 = 10nF, 50V CAPACITORS
 R1 - R4 = 75 Ohms, 1/16W, RESISTORS

PIN DESIGNATIONS
 (REPEAT FOR EACH VERTICAL PAIR OF PORTS.)

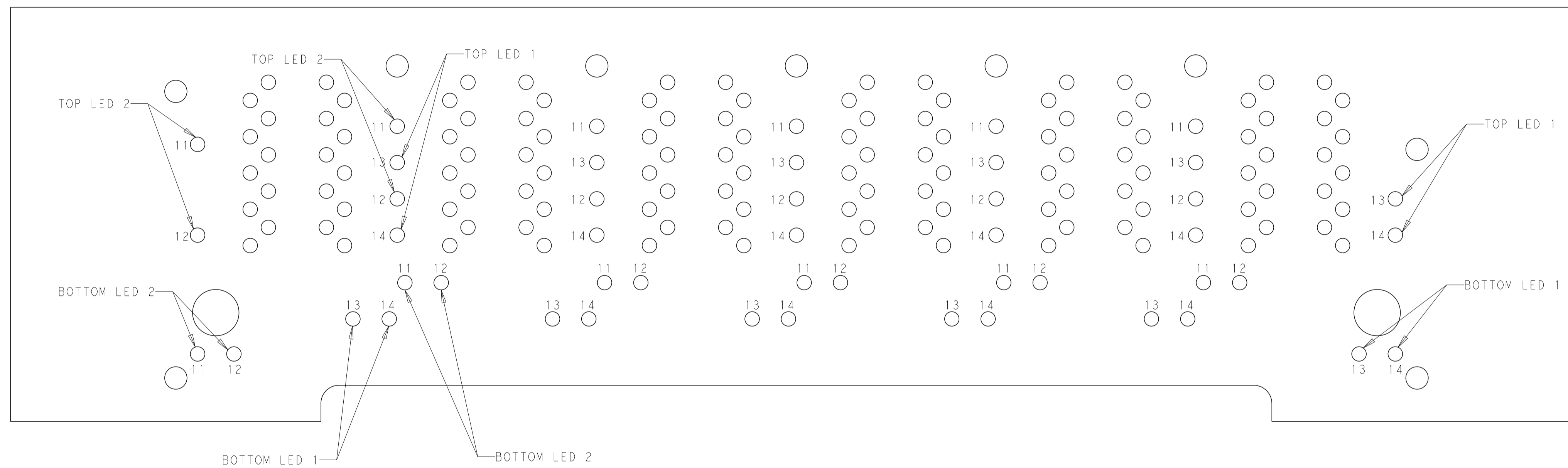


1. MATERIALS:
 PLASTIC HOUSING: BLACK, THERMOPLASTIC FLAMMABILITY RATING UL 94V-0
 SHIELD: BRASS, PREPLATED WITH 0.76um MIN SEMI-BRIGHT NICKEL,
 POST DIPPED WITH 2.54um MIN SAC SOLDER ON SOLDER TAILS,
 CONTACTS: PHOSPHOR BRONZE, 1.27um MIN OVERALL NICKEL UNDERPLATE,
 WITH SELECT 0.05um MIN GOLD OVER 0.76um MIN PALLADIUM-NICKEL AT
 MATING INTERFACE AND 2.54um MIN MATTE TIN ON SOLDER TAILS.
 LED: DIFFUSED EPOXY LENS, CARBON STEEL LEAD FRAME TAILS OF LED
 ARE PREPLATED WITH 2.03um MIN SILVER OVER 1.02um MIN NICKEL
 UNDERPLATE OVER 1.02um MIN COPPER UNDERPLATE. POST-PLATED WITH
 2.54um MIN MATTE TIN AND/OR SAC SOLDER DIP OR PURE TIN SOLDER DIP
 ALL PC BOARDS: HIGH TEMPERATURE PCB, TG>170°C
- MAGNETICS
 APPLICATION: 10/100/1000 BASE-T
 IMPEDANCE: 100 OHMS
 TURNS RATIO (CHIP:CABLE): 1:1 ALL FOUR PAIRS
 OPEN CIRCUIT INDUCTANCE (OCL): 350uH MIN @100kHz, 0.1VRMS,
 8mADC BIAS FROM 0°C TO 70°C, ALL FOUR PAIRS
 ALL FOUR PAIRS BI-DIRECTIONAL
 PERFORMANCE @ 25°C:
 INSERTION LOSS (IL): 1.1dB MAX FROM 0.5MHz TO 100MHz
 RETURN LOSS (RL): 18dB MIN FROM 0.5MHz TO 40MHz
 12-20LOG(f/80)dB MIN FROM 40.1MHz TO 100MHz
 CROSSTALK ATTENUATION: 35dB MIN FROM 0.5MHz TO 40MHz
 33-20LOG(f/50)dB MIN FROM 40.1MHz TO 100MHz
 COMMON MODE REJECTION RATIO (CMRR): 30dB MIN FROM 0.5MHz TO 100MHz
 ISOLATION VOLTAGE: 2250VDC(MAX) FOR 60 SECONDS WITH A RISE TIME OF
 500V/SEC AND WITH ALL PORTS CONNECTED.
- PART NUMBER, DATE CODE AND COUNTRY OF ORIGIN ARE
 LOCATED IN APPROXIMATE AREA SHOWN. DATE CODE: YYWW WHERE "YY" IS YEAR,
 "WW" IS WEEK, "D" IS DAY OF WEEK, WITH SUNDAY=1.
- TRP LOGO AND AGENCY APPROVAL LOGO ARE
 LOCATED IN APPROXIMATE AREA SHOWN.
5. OPERATING TEMP: FROM 0°C TO +70°C.
6. RJ45 CAVITY CONFORMS TO FCC RULES AND REGULATION PART 68 SUBPART F.
- INDICATED MAGNETIC CONNECTIONS ARE SYMMETRICAL AND
 SUPPORT AUTO-MDI/MDIX.
- DATUM AND BASIC DIMENSION ESTABLISHED BY CUSTOMER.
- BASIC DIMENSION ESTABLISHED BY CUSTOMER, BUT MAY NOT BE
 GREATER THAN 5.08mm.
- LEDS ARE DRIVEN WITH CONSTANT CURRENT AT APPROX 20mA
 LED COLOR: DOMINANT WAVELENGTH (λD): GREEN 568 nm TYP. @ IF=20mA
 FORWARD VOLTAGE (VF): GREEN 2.2V TYP. @ IF=20mA
 DOMINANT WAVELENGTH (λD): ORANGE 605 nm TYP. @ IF=20mA
 FORWARD VOLTAGE (VF): ORANGE 2.1V TYP. @ IF=20mA
11. THE PARTS ARE RECOMMENDED FOR WAVE SOLDERING PROCESS,
 PEAK TEMPERATURE 260°C MAX, 10 SECONDS MAX.

3.56	GRN/ORA	GRN/ORA	GRN/ORA	GRN/ORA	2250226-7
DIM A	BOTTOM LED 2	BOTTOM LED 1	TOP LED 2	TOP LED 1	PART NUMBER
THIS DRAWING IS A CONTROLLED DOCUMENT.					
DIMENSIONS:		TOLERANCES UNLESS OTHERWISE SPECIFIED:		DONGGUAN CHINA	
mm		0 PLC ±0.25 1 PLC ±0.25 2 PLC ±0.25 3 PLC ± 4 PLC ± ANGLES ±		MODEL NAME: MAGJACK DESC: 2X6 S8G56 GIGABIT W/ LED	
PRODUCT SPEC: 108-104004		APPLICATION SPEC: -		SIZE: A1 CAGE CODE: C=2250226 DRAWING NO: 2250226 RESTRICTED TO: -	
CUSTOMER DRAWING				SCALE: 4:1 SHEET 1 OF 4 REV B	

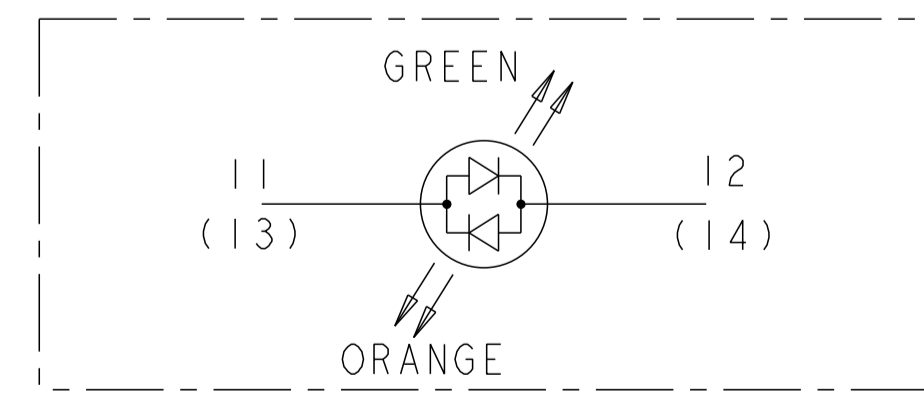



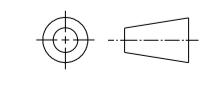
THIS DRAWING IS A CONTROLLED DOCUMENT.		DRW: TOMMY REN 01AUG2014	<p>DONGGUAN CHINA</p>
DIMENSIONS: mm		CHK: BILL LIU 01AUG2014	
		APP'D: TONY YIJIAN 01AUG2014	
TOLERANCES UNLESS OTHERWISE SPECIFIED: 0 PLC ±0.25 1 PLC ±0.25 2 PLC ±0.25 3 PLC ± 4 PLC ± ANGLES ± APPLICATION SPEC ±		MODEL NAME: MAGJACK	
PRODUCT SPEC: 108-104004		DESC: STACK Non-PoE	SIZE: A1 CAGE CODE: C=2250226 DRAWING NO: 2250226 SCALE: 4:1 SHEET: 2 OF 4 REV: B



LED HOLE DESIGNATIONS VIEWED FROM COMPONENT SIDE

BI-COLOR LED



THIS DRAWING IS A CONTROLLED DOCUMENT.		DRW: TOMMY REN 01AUG2014	 trp CONNECTOR <small>a bel group</small>	DONGGUAN CHINA
DIMENSIONS: mm		CHK: BILL LIU 01AUG2014		
TOLERANCES UNLESS OTHERWISE SPECIFIED:		APP'D: TONY YIJAN 01AUG2014		
	0 PLC ±0.25 1 PLC ±0.25 2 PLC ±0.25 3 PLC ± 4 PLC ± ANGLES ±°	MODEL NAME: MAGJACK	DESC: 2X6 S8G56 GIGABIT W/ LED	RESTRICTED TO: -
PRODUCT SPEC: 108-104004	APPLICATION SPEC: -	SIZE: A1	CAGE CODE: C=2250226	DRAWING NO: -
CUSTOMER DRAWING			SCALE: 4:1	SHEET 4 OF 4 REV B