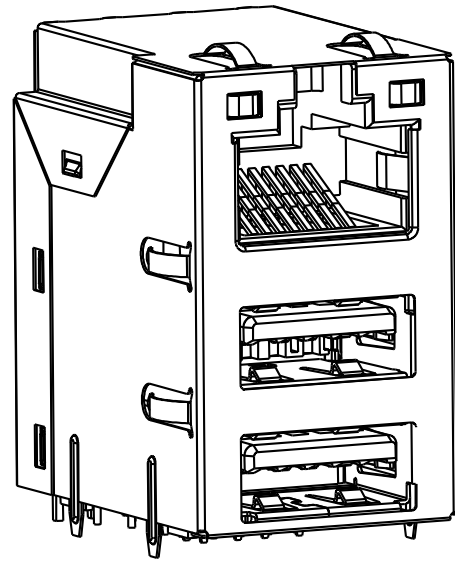


THIS DRAWING AND THE SUBJECT MATTER SHOWN THEREON ARE CONFIDENTIAL AND THE PROPERTY OF BEL/STEWART/TRP CONNECTOR AND SHALL NOT BE REPRODUCED, COPIED, OR USED IN ANY MANNER WITHOUT THE WRITTEN CONSENT OF TRP CONNECTOR.

PRODUCT MAY BE PROTECTED BY ONE OR MORE OF THE FOLLOWING US PATENTS:  
 5736910 5939955 6425781 6428361 6554638 6840817 7123117  
 7429195 7717749 7808751 6217391 6149050 7924130

REVISIONS				
P	LTR	DESCRIPTION	DATE	APVD
6		EC-1411035, LOGO CHANGE;ADD USB COLOR SPEC	05JAN2015	JC TY



- MATERIALS  
 USB MATERIALS:  
 HOUSING: THERMOPLASTIC, BLUE, FLAMMABILITY RATING UL 94V-0  
 USB 2.0 CONTACT: PHOSPHOR BRONZE, WITH 1.27um MIN OVERALL NICKEL UNDERPLATE AND SELECTIVE 0.762um MIN GOLD PLATING AT MATING INTERFACE  
 USB 3.0 CONTACT: COPPER BASE ALLOY, WITH 1.27um MIN OVERALL NICKEL UNDERPLATE AND SELECTIVE 0.762um MIN GOLD PLATING AT MATING INTERFACE  
 RJ45 MATERIALS:  
 HOUSING: THERMOPLASTIC, BLACK, FLAMMABILITY RATING UL 94V-0  
 SHIELD: STAINLESS STEEL, PREPLATED WITH MIN 0.76um SEMI-BRIGHT NICKEL POST DIPPED WITH 2.54um MIN SOLDER ON SOLDER TAILS  
 CONTACT: PHOSPHOR BRONZE, WITH 1.27um MIN OVERALL NICKEL UNDERPLATE AND SELECTIVE 1.27um MIN GOLD PLATING AT MATING INTERFACE  
 LED MATERIALS:  
 DIFFUSED EPOXY LENS, CARBON STEEL LEAD FRAME LEADS,  
 PREPLATED WITH 2.03um MIN SILVER OVER 1.02 MIN NICKEL OVER  
 1.02um MIN COPPER UNDERPLATE, POST PLATED WITH 2.54um MIN MATTE TIN AND/OR 2.54um MIN SAC SOLDER DIP OR PURE TIN SOLDER DIP.

- MAGNETICS  
 -APPLICATION : 10/100/1000 BASE-T  
 -IMPEDANCE: 100 OHMS  
 -TURNS RATIO(CHIP:CABLE): 1:1 ALL FOUR PAIRS  
 -OPEN CIRCUIT INDUCTANCE(OCL): 350uH MIN @100kHz, 0.1 VRMS,  
 8mADC BIAS FROM 0°C TO 70°C, ALL FOUR PAIRS  
 -ALL FOUR PAIRS BI-DIRECTIONAL  
 -PERFORMANCE @ 25°C:  
 INSERTION LOSS (IL): 1.1 dB MAX FROM 0.5MHz TO 100MHz  
 RETURN LOSS (RL): 18dB MIN FROM 0.5MHz TO 40MHz  
 12-20LOG(f/80)dB MIN FROM 40.1 MHz TO 100MHz  
 CROSSTALK ATTENUATION: 35 dB MIN FROM 0.5 MHz TO 40 MHz  
 33-20LOG(f/50) dB MIN FROM 40.1 MHz TO 100 MHz  
 COMMON MODE REJECTION RATIO (CMRR): 30dB MIN FROM 0.5MHz TO 100MHz  
 -ISOLATION VOLTAGE: 2250VDC (MAX) FOR 60 SECONDS WITH A RISE TIME OF 500V/SEC.

- THE MAGNETIC CIRCUIT ON ALL FOUR CHANNELS IS SYMMETRICAL AND SUPPORTS AUTO-MDIX OPERATION.
- OPERATING TEMPERATURE: 0°C - 70°C.

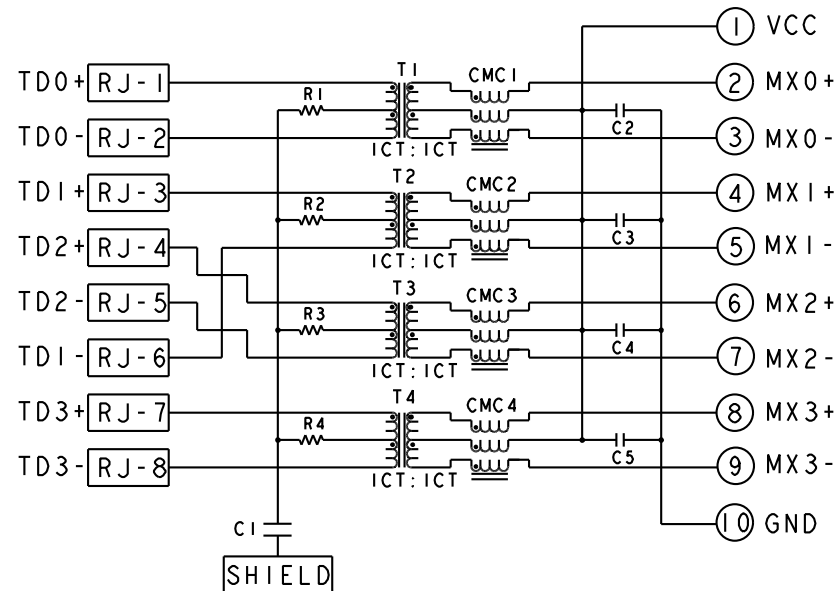
- DATUM Y AND BASIC DIMENSION ESTABLISHED BY CUSTOMER.

- RJ45 CAVITY CONFORMS TO FCC RULES AND REGULATION PART 68 SUBPART F.

- TRP CONNECTOR LOGO, PART NUMBER, DATE CODE, COUNTRY OF ORIGIN, AGENCY APPROVAL MARKING IN APPROPRIATE LOCATION SHOWN.  
 DATE CODE: YYWW WHERE "YY" IS YEAR, "WW" IS WORK WEEK, "D" IS DAY OF WEEK, WITH SUNDAY= 1

- LED IS DRIVEN WITH CONSTANT CURRENT AT APPROX 20mA  
 LED COLOR:  
 DOMINANT WAVELENGTH (λD)  
 GREEN 568 nm TYP at IF=20mA; YELLOW, 588nm TYP AT IF=20mA; ORANGE, 605nm TYP AT IF=20mA  
 FORWARD VOLTAGE (VF):  
 GREEN 2.2V TYP at IF=20mA; YELLOW, 2.1V TYP AT IF=20mA; ORANGE, 2.1V TYP AT IF=20mA
- THE PARTS ARE RECOMMENDED FOR IR REFLOW SOLDERING PROCESS, PEAK TEMPERATURE 260°C MAX, 10 SECONDS MAX, DURATION TIME 10 SECONDS MAX, OVER 230°C WITHIN 40-60 SECONDS.
- LOW HALOGEN SPEC(EXCEPT LIGHT PIPE):  
 CHLORINE (Cl) 900PPM MAX  
 BROMINE (Br) 900PPM MAX  
 TOTAL BROMINE AND CHLORINE (Br+Cl) 1500PPM MAX  
 LIGHT PIPE COMPLY WITH LOW HALOGEN SPECIFICATION "DIN VDE 0472"  
 CHLORINE (Cl) 1000PPM MAX  
 BROMINE (Br) 1000PPM MAX  
 TOTAL BROMINE AND CHLORINE (Br+Cl) 2000PPM MAX

URG154 GIGABIT CIRCUIT



C1: 1000pF, 2kV, CAPACITOR;  
 C2-C5: 100nF, 50V, CAPACITORS;  
 R1-R4: 750ohms, 1/16W, RESISTORS

2.30	GREEN/ORANGE	YELLOW	2250208-2
1.80	GREEN/ORANGE	YELLOW	2250208-1
DIM A	LED2	LED1	PART NUMBER

THIS DRAWING IS A CONTROLLED DOCUMENT.		DWN JAMISON CHEN 18JUN2014	<b>trp CONNECTOR</b> a bel group DONGGUAN CHINA	
DIMENSIONS: mm		CHK QUENTIN LIU 18JUN2014		
TOLERANCES UNLESS OTHERWISE SPECIFIED: 0 PLC ± 1 PLC ± 2 PLC ±0.25 3 PLC ± 4 PLC ± ANGLES ± APPLICATION SPEC		APVD TONY YUAN 18JUN2014	DESC MAGJACK OVER DUAL USB3.0 URG154, GIGABIT CIRCUIT, W/ LED	
PRODUCT SPEC		MODEL NAME MAGJACK OVER USB NON-PoE	SIZE A2	RESTRICTED TO -
		DRAWING NO C-2250208		
		CUSTOMER DRAWING		SCALE 3:1 SHEET 1 OF 4 REV 6

4

3

2

1

D

C

B

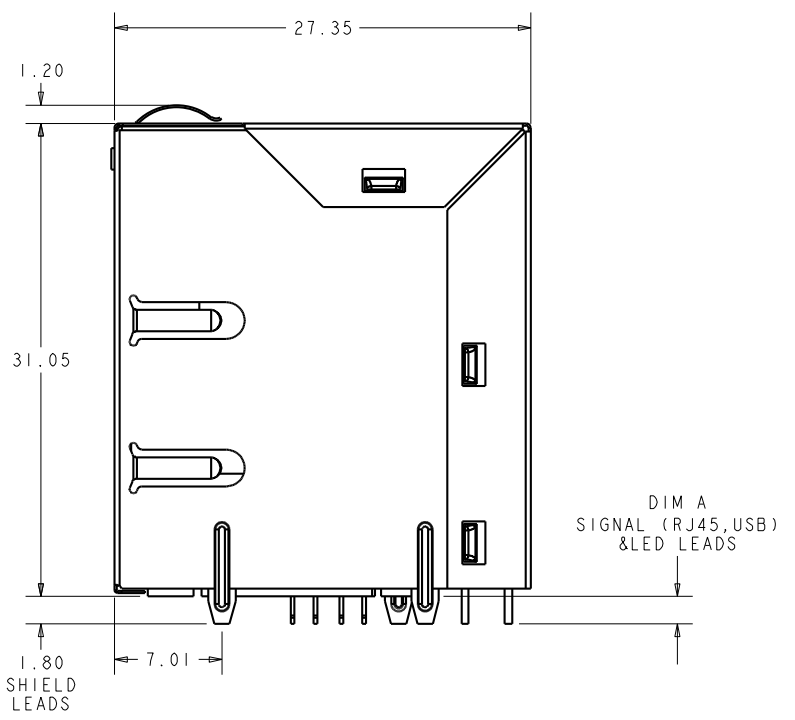
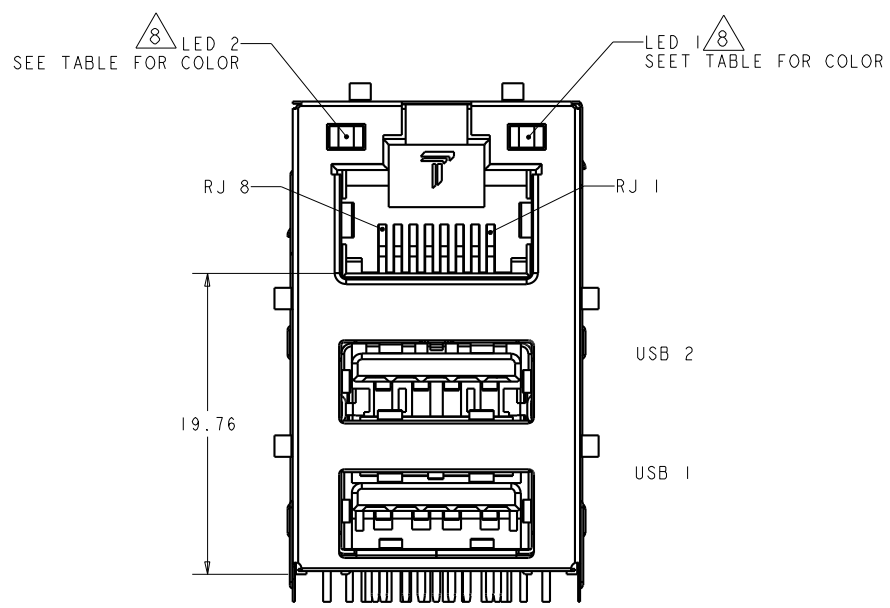
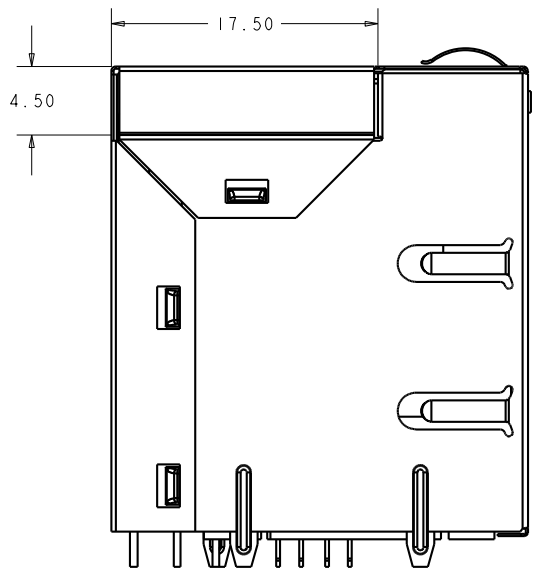
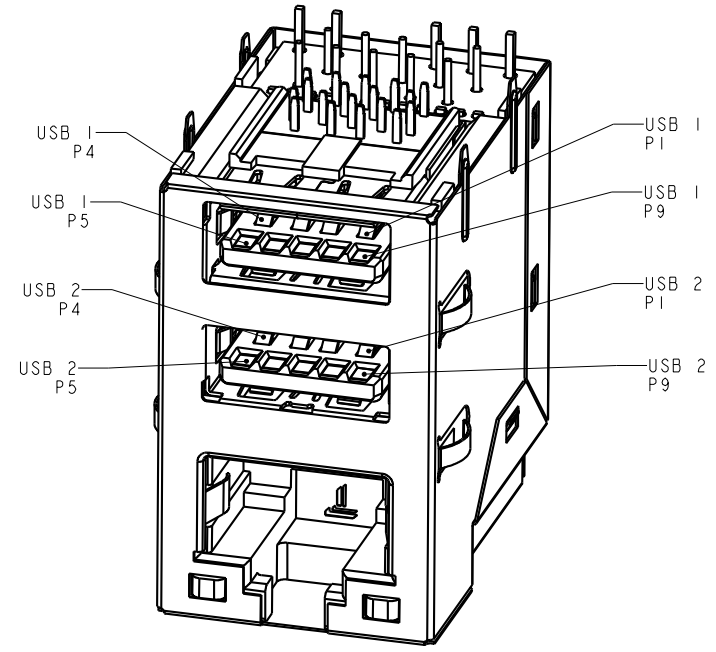
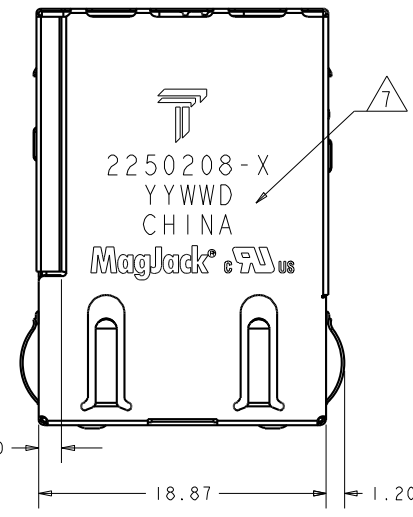
A


D

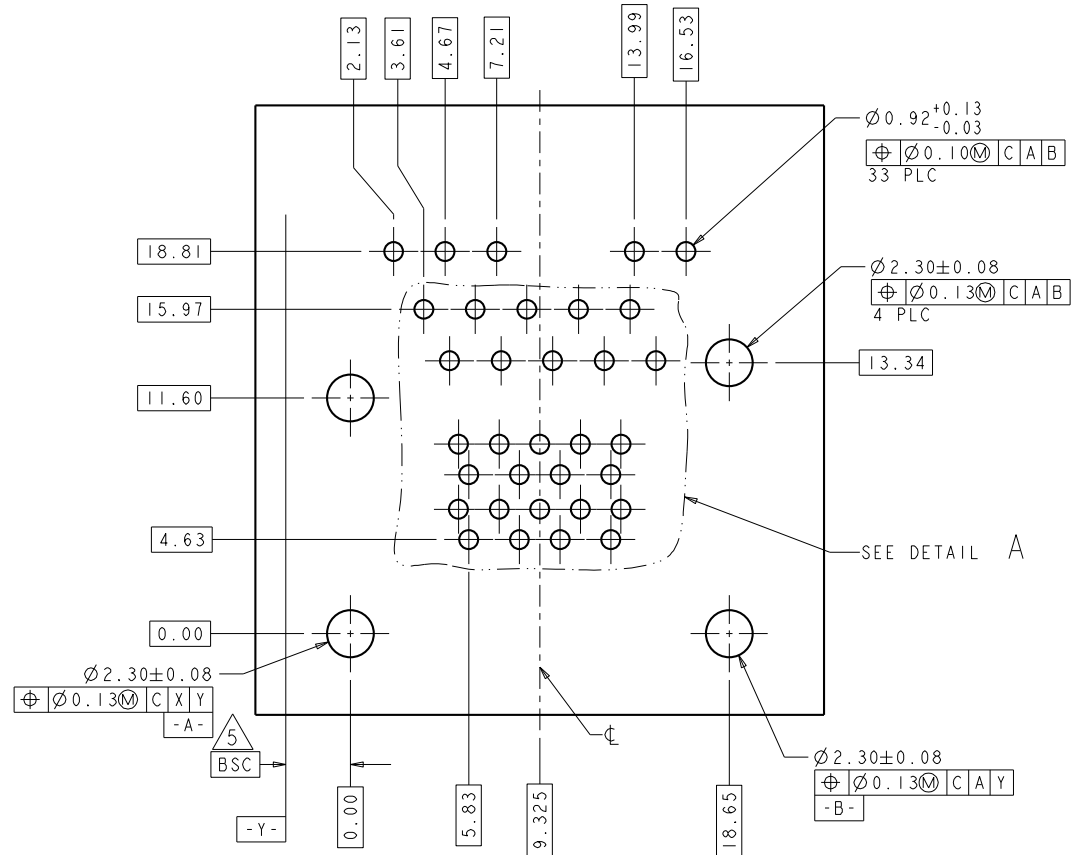
C

B

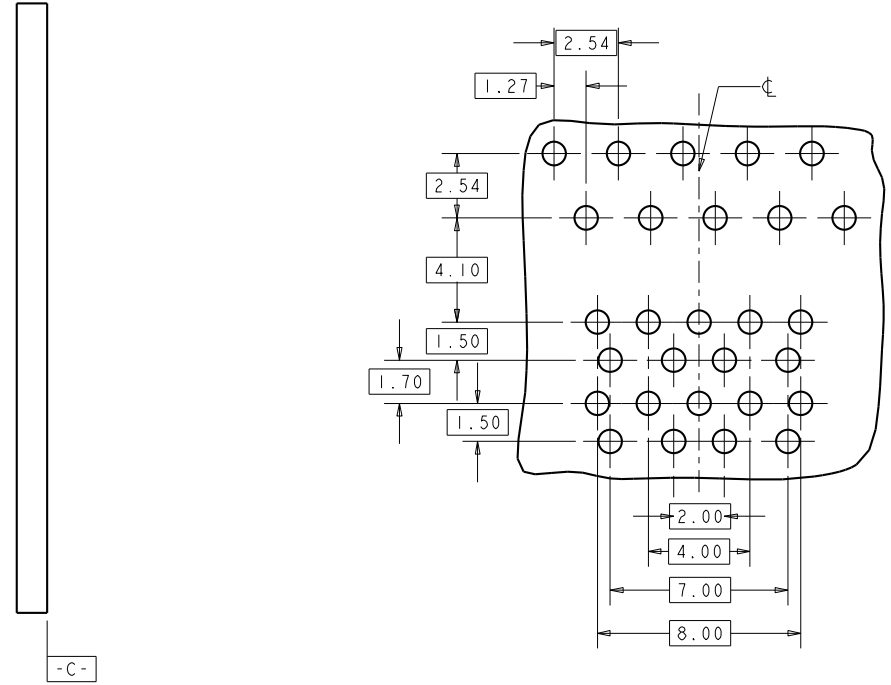
A




THIS DRAWING IS A CONTROLLED DOCUMENT.		DWN JAMISON CHEN 18JUN2014	 <b>trp</b> CONNECTOR a bel group DONGGUAN CHINA
DIMENSIONS: mm		CHK QUENTIN LIU 18JUN2014	
TOLERANCES UNLESS OTHERWISE SPECIFIED:		APVD TONY YUAN 18JUN2014	
0 PLC ± 1 PLC ± 2 PLC ±0.25 3 PLC ± 4 PLC ± ANGLES ± APPLICATION SPEC -		MODEL NAME MAGJACK OVER USB NON-POE	
PRODUCT SPEC -		DESC MAGJACK OVER DUAL USB3.0 URG154, GIGABIT CIRCUIT, W/ LED	RESTRICTED TO -
		SIZE A2	CAGE CODE -
		DRAWING NO C-2250208	
		CUSTOMER DRAWING	SCALE 3:1 SHEET 2 OF 4 REV 6

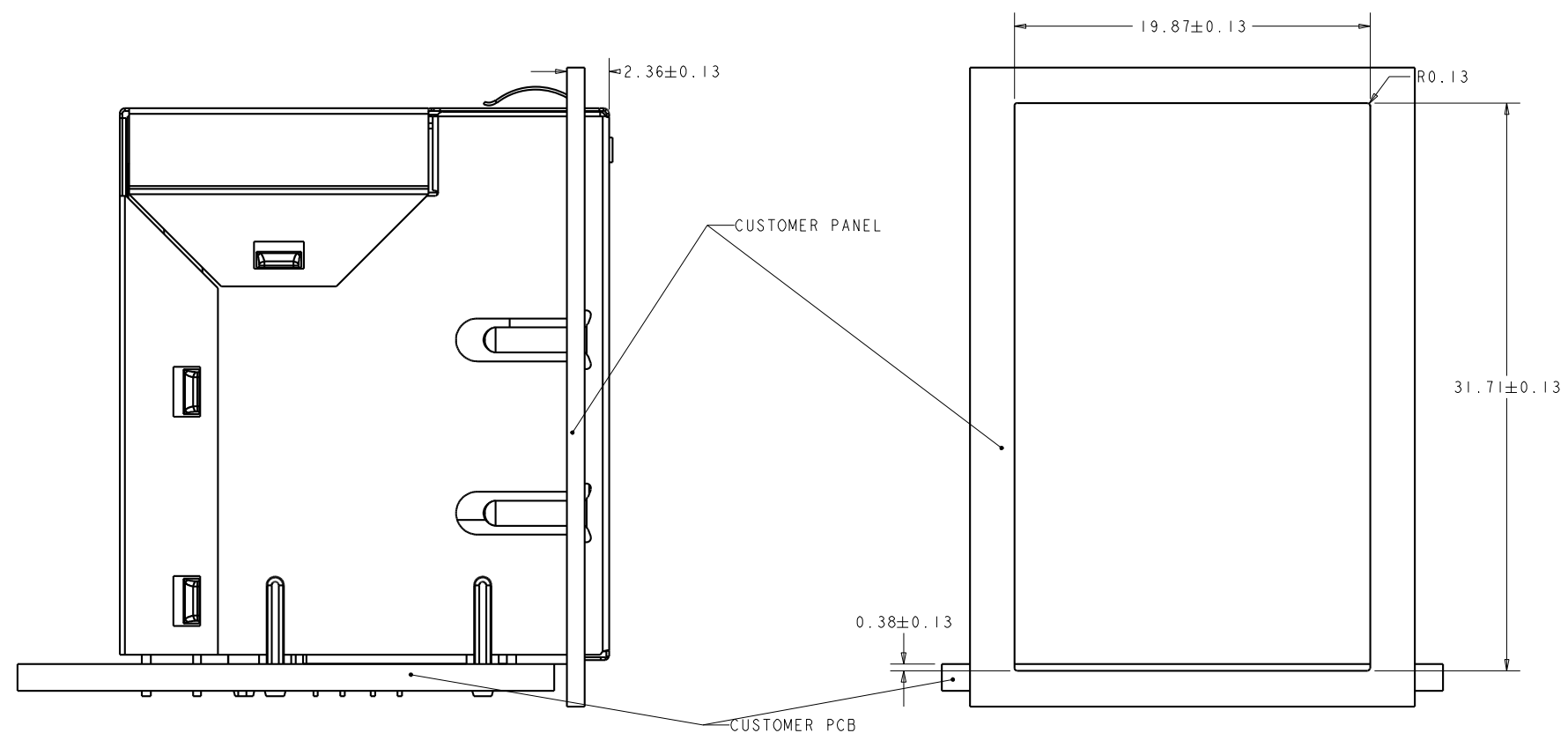


RECOMMENDED PC BOARD LAYOUT  
(VIEW FROM COMPONENT SIDE)

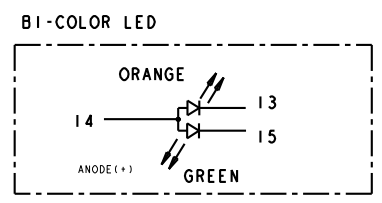
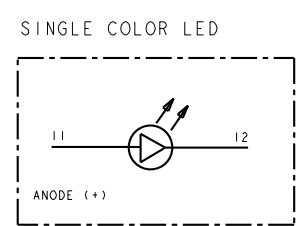
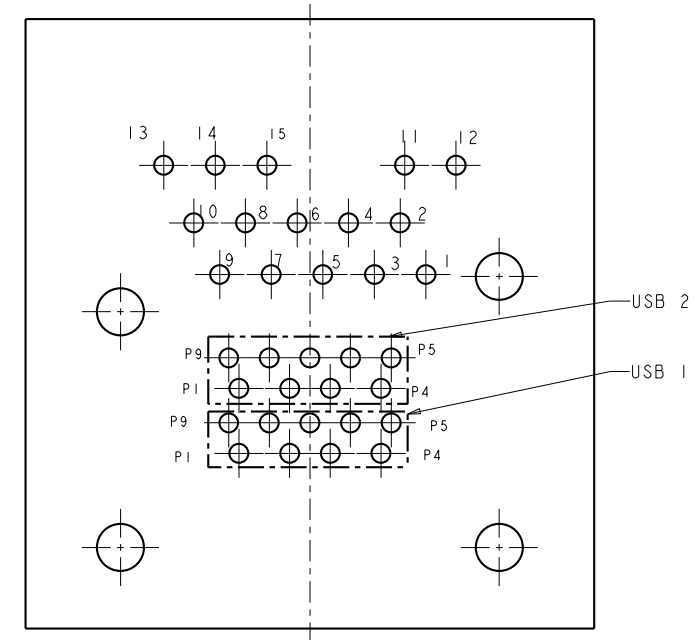


DETAIL A  
SCALE 5:1

THIS DRAWING IS A CONTROLLED DOCUMENT.		DWN JAMISON CHEN 18JUN2014	 <b>trp</b> CONNECTOR a bel group	DONGGUAN CHINA
DIMENSIONS: mm		CHK QUENTIN LIU 18JUN2014		DESC MAGJACK OVER DUAL USB3.0 URG154, GIGABIT CIRCUIT, W/ LED
TOLERANCES UNLESS OTHERWISE SPECIFIED:		APVD TONY YUAN 18JUN2014	SIZE A2	
0 PLC ±- 1 PLC ±- 2 PLC ±0.25 3 PLC ±- 4 PLC ±- ANGLES ±- APPLICATION SPEC ±-		MODEL NAME MAGJACK OVER USB NON-PoE	CAGE CODE C-2250208	RESTRICTED TO -
PRODUCT SPEC -		CUSTOMER DRAWING		SCALE 3:1 SHEET 3 OF 4 REV 6



SUGGEST CUSTOMER CUTOUT DIMENSIONS



THIS DRAWING IS A CONTROLLED DOCUMENT.		DWN JAMISON CHEN 18JUN2014	<p><b>trp</b> CONNECTOR a bel group</p>	DONGGUAN CHINA										
DIMENSIONS: mm		CHK QUENTIN LIU 18JUN2014												
TOLERANCES UNLESS OTHERWISE SPECIFIED:		APVD TONY YUAN 18JUN2014												
<table border="1"> <tr><td>0 PLC</td><td>±-</td></tr> <tr><td>1 PLC</td><td>±-</td></tr> <tr><td>2 PLC</td><td>±0.25</td></tr> <tr><td>3 PLC</td><td>±-</td></tr> <tr><td>4 PLC</td><td>±-</td></tr> </table>		0 PLC	±-	1 PLC	±-	2 PLC	±0.25	3 PLC	±-	4 PLC	±-	MODEL NAME MAGJACK	DESC MAGJACK OVER DUAL USB3.0 URGI54, GIGABIT CIRCUIT, W/ LED	RESTRICTED TO
0 PLC	±-													
1 PLC	±-													
2 PLC	±0.25													
3 PLC	±-													
4 PLC	±-													
PRODUCT SPEC		OVER USB NON-POE	SIZE A2	CAGE CODE										
ANGLES APPLICATION SPEC		DRAWING NO C=2250208		REV 6										
CUSTOMER DRAWING			SCALE 3:1	SHEET 4 OF 4										