

THE INFORMATION CONTAINED HEREIN IS CONSIDERED "PROPRIETARY" TO BEL FUSE INC. AND SHALL NOT BE COPIED, REPRODUCED OR DISCLOSED WITHOUT THE WRITTEN APPROVAL OF BEL FUSE INC.

RoHS



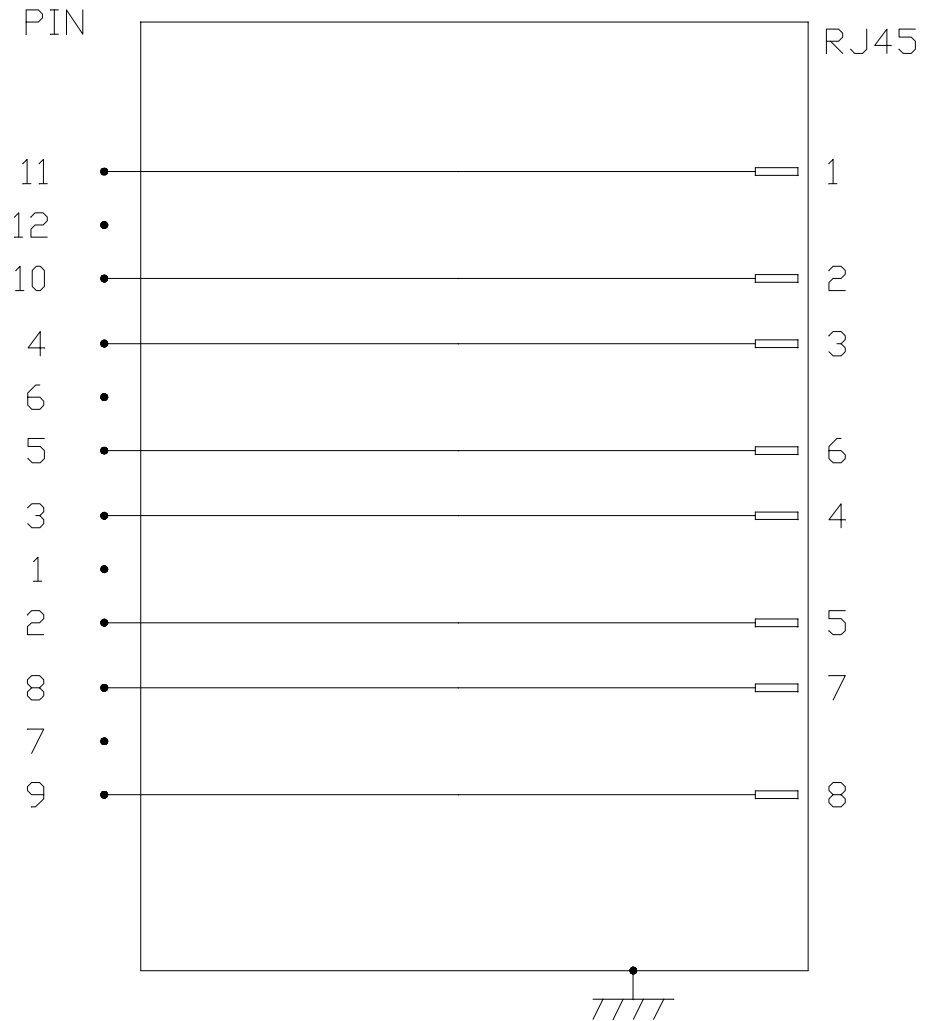
SCHEMATIC

ELECTRICAL SPECIFICATIONS

(pin 11 - RJ1),(pin 10 - RJ2),(pin 4 - RJ3),(pin 5 - RJ6), CONTINUITY  
 (pin 3 - RJ4),(pin 2 - RJ5), (pin 8 - RJ7), (pin 9 - RJ8), CONTINUITY

USB ELECTRICAL:

INSULATION RESISTANCE: 1000 MEGΩ(MIN)  
 CONTACT RESISTANCE: 25 MILLIΩ(MAX)  
 DIELECTRIC WITHSTANDING: 750 VAC



REV. : B PAGE : 2

ORIGINATED BY  
 CHOW WANCHUNG  
 DATE 2014-12-19  
 DRAWN BY  
 HU XIANG  
 DATE 2014-12-19

TITLE  
 Passive Combo Connector  
 0820-1X1T-00-F

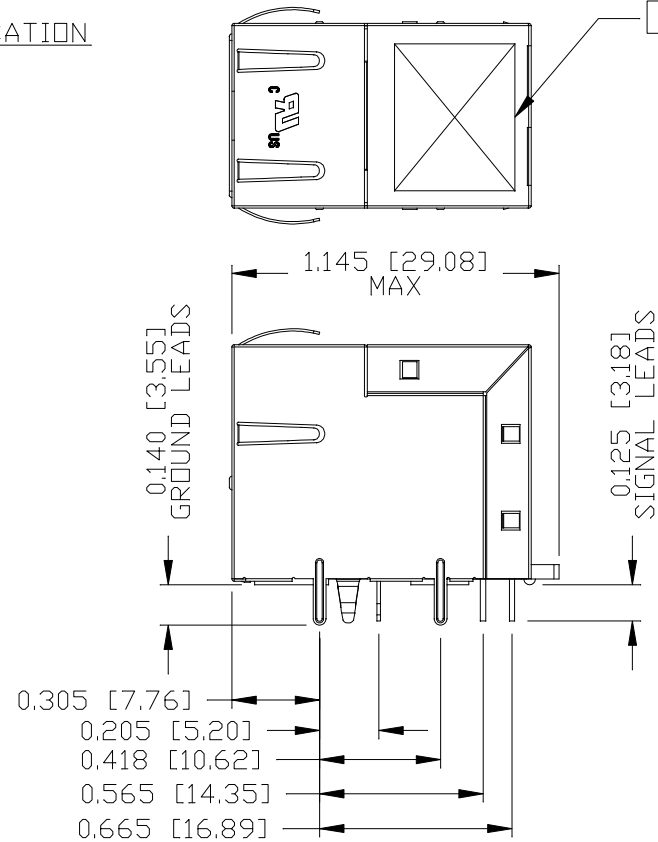
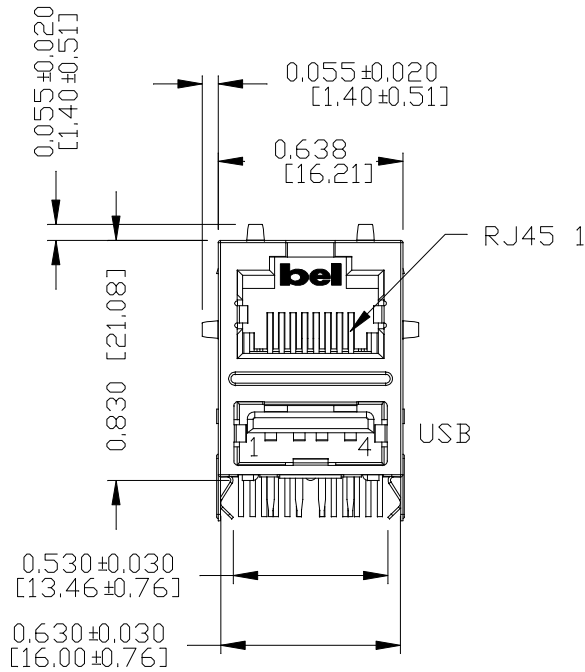
PART NO. / DRAWING NO.  
 08201X1T00-F  
 FILE NAME  
 08201X1T00-F\_B.DWG

STANDARD DIM. [ ] METRIC DIM.  
 TOL. IN INCH AS REF.  
 .X UNIT : INCH [mm]  
 .XX SCALE : N/A  
 .XXX SIZE : A4



THE INFORMATION CONTAINED HEREIN IS CONSIDERED "PROPRIETARY" TO BEL FUSE INC. AND SHALL NOT BE COPIED, REPRODUCED OR DISCLOSED WITHOUT THE WRITTEN APPROVAL OF BEL FUSE INC.

MECHANICAL SPECIFICATION



RJ45 MECHANICAL:

PLASTIC HOUSING: THERMOPLASTIC PBT  
 FLAMMABILITY RATING UL 94V-0  
 CONTACT PLATING: 30 MICRO-INCH HARD GOLD PLATING OR EQUIVALENT  
 PINS: TIN-COATED COPPER WIRE, DIA 0.018 INCH.  
 METAL SHIELD: NICKEL PLATED ON COPPER ALLOY.  
 (ALL GROUND LEADS ARE SOLDER DIPPED)

1. MARK PART WITH MFG LOGO, MFG NAME, PART NUMBER, DATE CODE.

2. THE PRODUCT IS RoHS COMPLIANT.

UL RECOGNIZED - FILE #E196366 AND E169987.

USB MECHANICAL:

MATING FORCE: 35 NEWTONS MAXIMUM  
 UNMATING FORCE: 10 NEWTONS MINIMUM  
 CONTACT: PROSPER BRONZE GOLD PLATING ON CONTACT AREA AND TIN ON SOLDER TAIL.  
 30 MICRO-INCH GOLD PLATING ON CONTACT AREA

ORIGINATED BY  
 ANTON LIAO  
 DATE 2014-12-19  
 DRAWN BY  
 JESSE LI  
 DATE 2014-12-19

TITLE  
 Passive Combo Connector  
 0820-1X1T-00-F

PART NO. / DRAWING NO.  
 08201X1T00-F  
 FILE NAME  
 08201X1T00-F\_B.DWG

STANDARD DIM. TOL. IN INCH	[ ] METRIC DIM. AS REF.
.X	UNIT : INCH [mm]
.XX	SCALE : N/A
.XXX	SIZE : A4

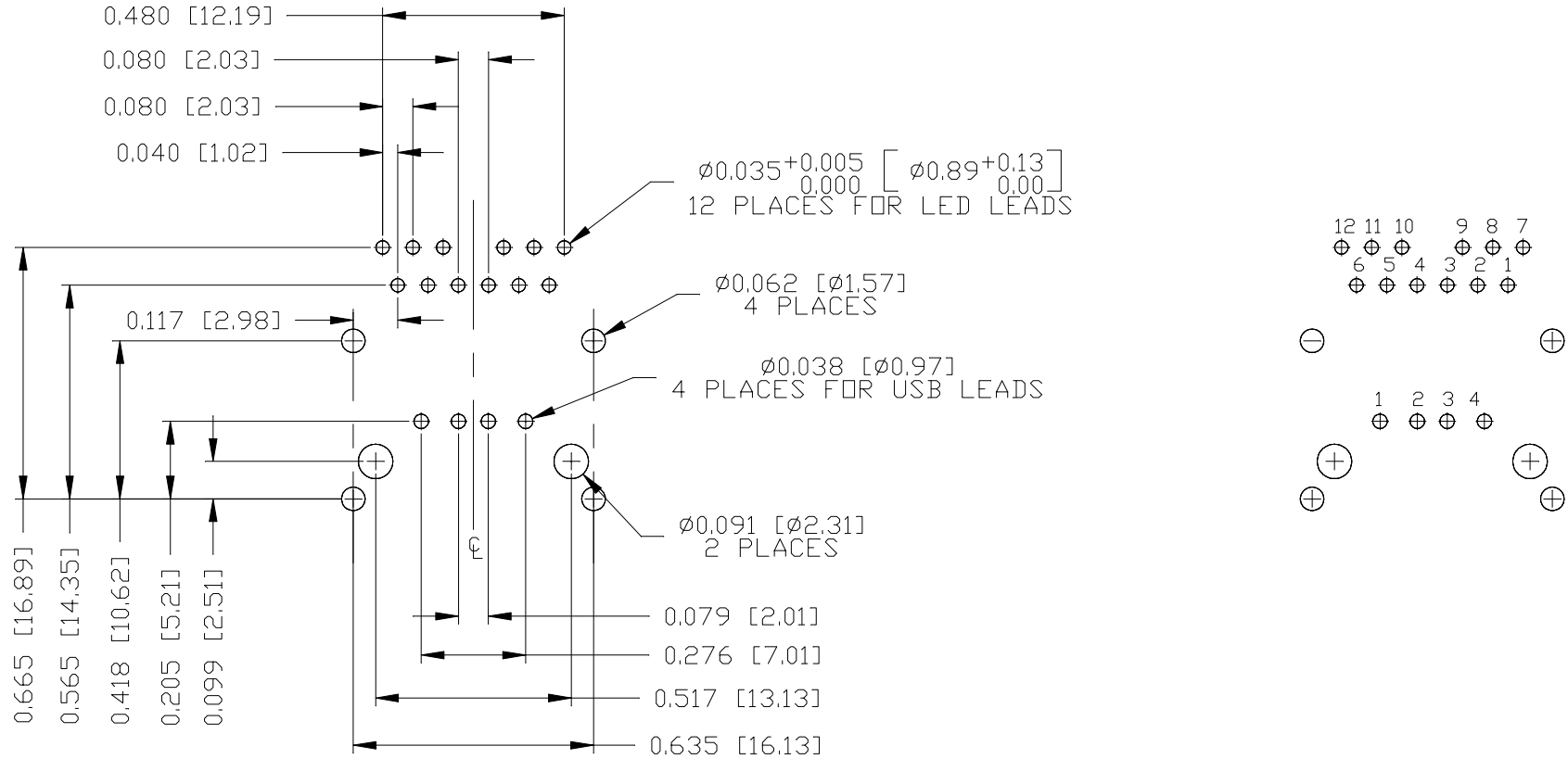
REV. : B PAGE : 3



THE INFORMATION CONTAINED HEREIN IS CONSIDERED "PROPRIETARY" TO BEL FUSE INC. AND SHALL NOT BE COPIED, REPRODUCED OR DISCLOSED WITHOUT THE WRITTEN APPROVAL OF BEL FUSE INC.



RECOMMENDED PCB FOOTPRINT  
COMPONENT SIDE VIEW



REV. : B PAGE : 4

ORIGINATED BY  
ANTON LIAO  
DATE 2014-12-19  
DRAWN BY  
JESSE LI  
DATE 2014-12-19

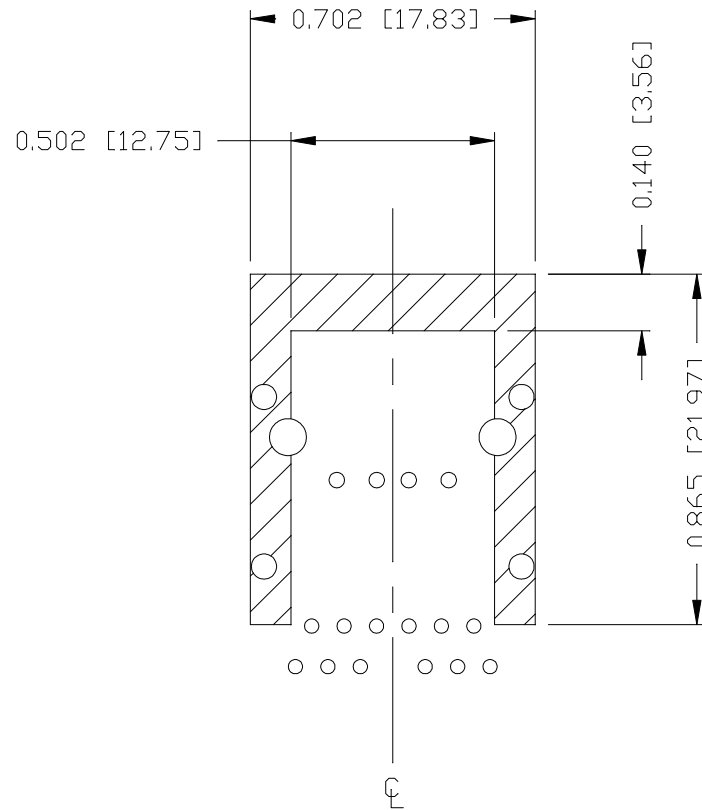
TITLE  
Passive Combo Connector  
0820-1X1T-00-F

PART NO. / DRAWING NO.  
08201X1T00-F  
FILE NAME  
08201X1T00-F\_B.DWG

STANDARD DIM. TOL. IN INCH	[ ] METRIC DIM. AS REF.
.X	UNIT : INCH [mm]
.XX	SCALE : N/A
.XXX	SIZE : A4




THE INFORMATION CONTAINED HEREIN IS CONSIDERED "PROPRIETARY" TO BEL FUSE INC. AND SHALL NOT BE COPIED, REPRODUCED OR DISCLOSED WITHOUT THE WRITTEN APPROVAL OF BEL FUSE INC.



NOTES

THE SHADED AREA ON THE CUSTOMER BOARD ARE RECOMMENDED TO BE CLEAR OFF ANY VIA HOLE OR COMPONENT PAD.

REV. : B PAGE : 5

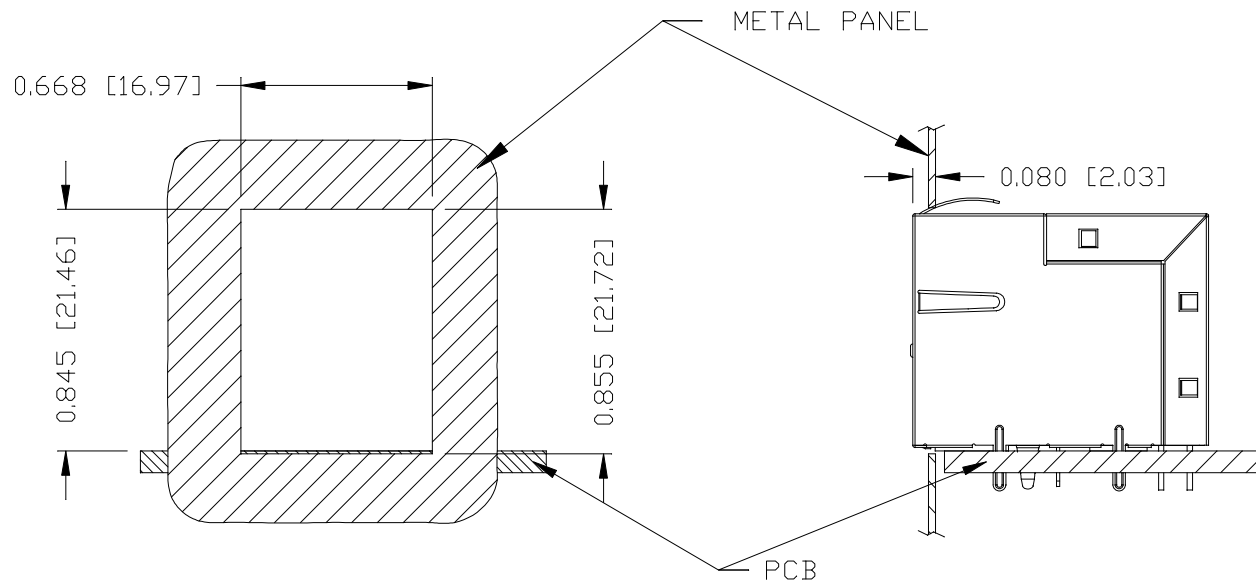
ORIGINATED BY ANTON LIAO DATE 2014-12-19	TITLE  Passive Combo Connector  0820-1X1T-00-F	PART NO. / DRAWING NO.  08201X1T00-F	STANDARD DIM. TOL. IN INCH	[ ] METRIC DIM. AS REF.	
DRAWN BY JESSE LI DATE 2014-12-19		FILE NAME  08201X1T00-F_B.DWG	.X .XX .XXX ±0.004	UNIT : INCH [mm] SCALE : N/A SIZE : A4	

THE INFORMATION CONTAINED HEREIN IS CONSIDERED "PROPRIETARY" TO BEL FUSE INC. AND SHALL NOT BE COPIED, REPRODUCED OR DISCLOSED WITHOUT THE WRITTEN APPROVAL OF BEL FUSE INC.

RoHS



SUGGESTED PANEL OPENING



NOTES:

THE DISTANCE OF PANEL INSIDE SURFACE RELATIVE TO FRONT SURFACE OF PART IS ONLY A SUGGESTION. IN CASE THIS DISTANCE IS DIFFERENT, THE REQUIRED PANEL OPENING DIMENSIONS CHANGE ACCORDINGLY.


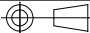
PACKING INFORMATION

PACKING TRAY : 0200-0148-48 (TOP)  
0200-0148-49 (BOTTOM)

PACKING QUANTITY : 60 PCS FINISHED GOODS PER TRAY  
8 TRAYS (480 PCS FINISHED GOODS) PER CARTON BOX

NOTE : CARDBOARDS ARE PLACED BETWEEN LAYERS OF PACKING TRAY INSIDE CARTON BOX  
(INCLUDE THE UPPERMOST AND LOWERMOST TRAY)

REV. : B PAGE : 5

ORIGINATED BY ANTON LIAO DATE 2014-12-19	TITLE  Passive Combo Connector 0820-1X1T-00-F	PART NO. / DRAWING NO.  08201X1T00-F	STANDARD DIM. TOL. IN INCH	[ ] METRIC DIM. AS REF.	
DRAWN BY JESSE LI DATE 2014-12-19		FILE NAME  08201X1T00-F_B.DWG	.X	UNIT : INCH [mm]	
			.XX	SCALE : N/A	
			.XXX ±0.004	 SIZE : A4	