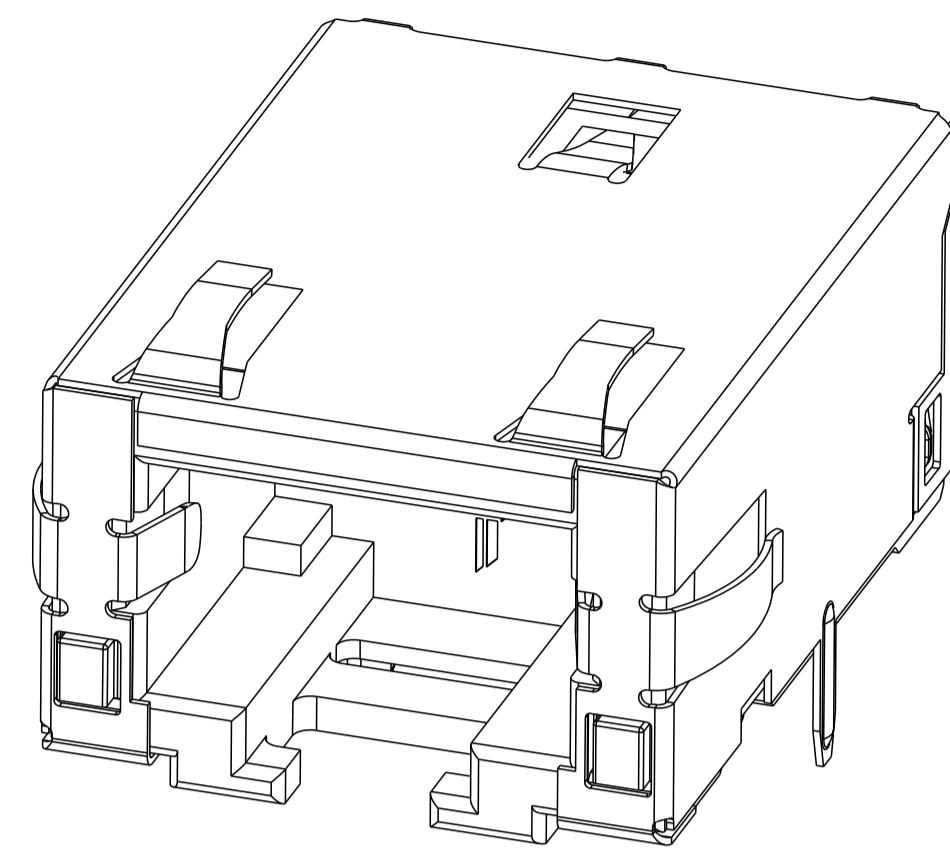
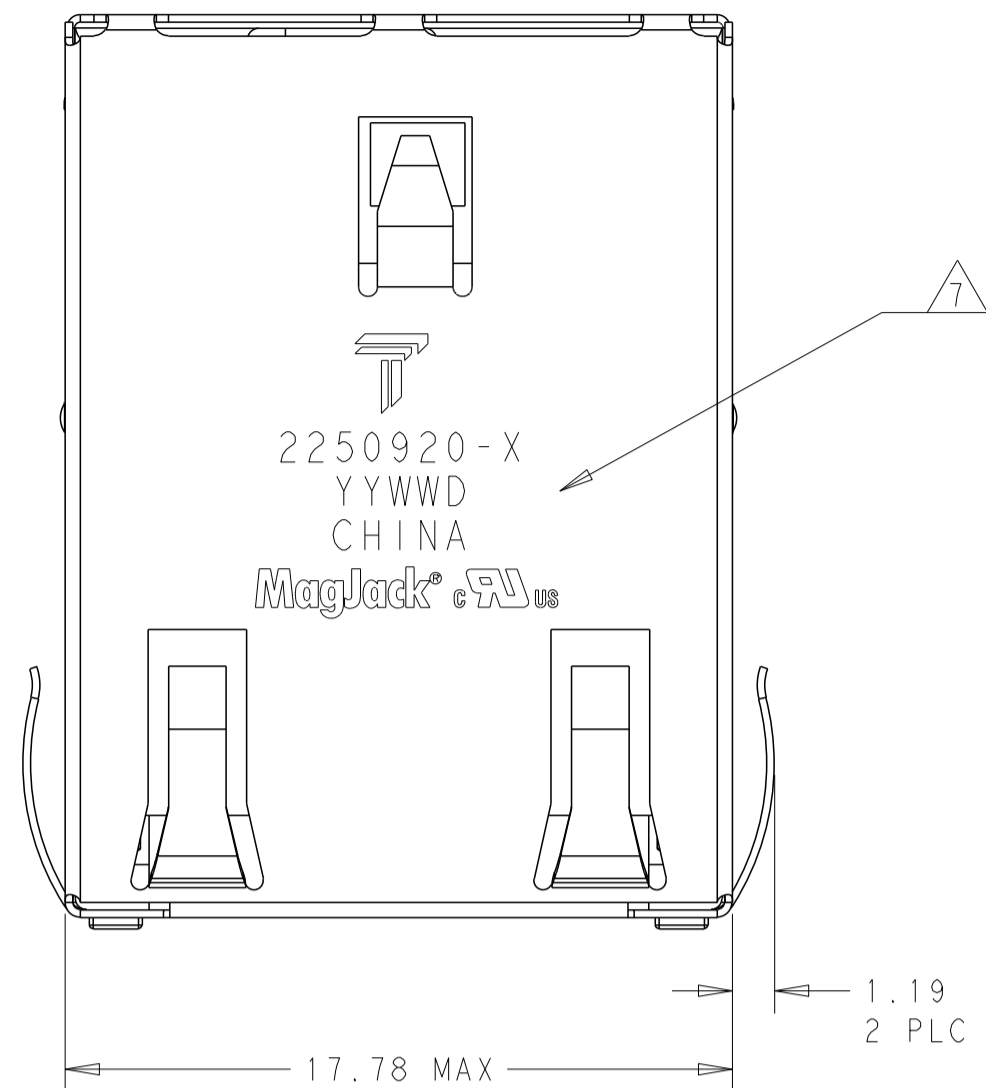


THIS DRAWING AND THE SUBJECT MATTER SHOWN THEREON ARE CONFIDENTIAL AND THE PROPERTY OF BEL/STEWART/TRP CONNECTOR AND SHALL NOT BE REPRODUCED, COPIED, OR USED IN ANY MANNER WITHOUT THE WRITTEN CONSENT OF TRP CONNECTOR.

PRODUCT MAY BE PROTECTED BY ONE OR MORE OF THE FOLLOWING US PATENTS:
 5736910 5939955 6425781 6428361 6554638 6840817 7123117
 7429195 7717749 7808751 6217391 6149050 7924130

REVISIONS			
#	DATE	DESCRIPTION	APPROVED
1	16 JUL 2024	INITIAL RELEASE	JY TY



1. MATERIALS:
- HOUSING: HIGH TEMPERATURE NYLON, BLACK, UL 94V-0
 - SHIELD: 0.20mm THICK, BRASS PREPLATED WITH 0.76 um MIN SEMI-BRIGHT NICKEL; POST-DIPPED WITH 2 um MIN TIN
 - CONTACT TAILS: 0.25mm THICK, PHOSPHOR BRONZE, 1.27 um MIN OVERALL NICKEL UNDERPLATE, WITH 1.27 MIN GOLD PLATING AT MATING INTERFACE, 3 um MIN TIN PLATE ON SOLDER TAILS
 - MOD JACK CONTACTS: 0.3mm THICK, PHOSPHOR BRONZE, 1.27 um MIN OVERALL NICKEL UNDERPLATE, WITH 1.27 um MIN LOCALIZED GOLD PLATE AT PLUG INTERFACE
 - LIGHT PIPE: POLYETHER SULFONE

2. RJ45 JACK CAVITY CONFORMS TO FCC RULES AND REGULATIONS PART 68, SUB-PART F.

3. MAGNETICS:
- APPLICATION: 1G/10G BASE-T
 - IMPEDANCE: 100 OHMS
 - TURNS RATIO (CHIP:CABLE): 1:1 ALL FOUR PAIRS
 - OPEN CIRCUIT INDUCTANCE (OCL): 160 uH MIN @ 100kHz, 0.1VRMS, FROM 0°C TO 70°C, ALL FOUR PAIRS
 - ALL FOUR PAIRS BI-DIRECTIONAL
 - PERFORMANCE @ 25°C: PLEASE REFER TO SEPARATE SHEET
 - ISOLATION VOLTAGE: 2250VDC FOR 60 SECONDS WITH A RISE TIME OF 500V/SEC,

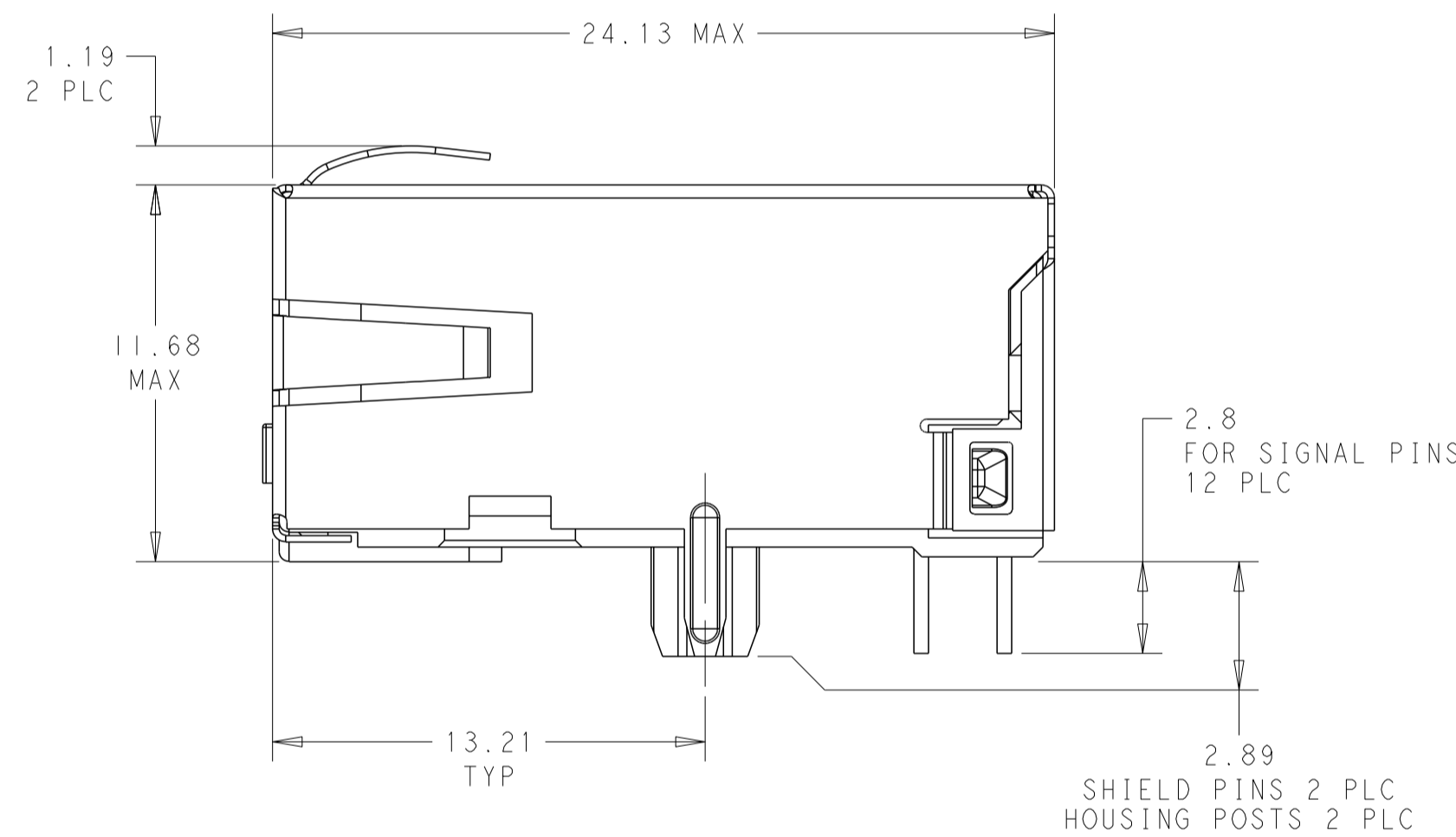
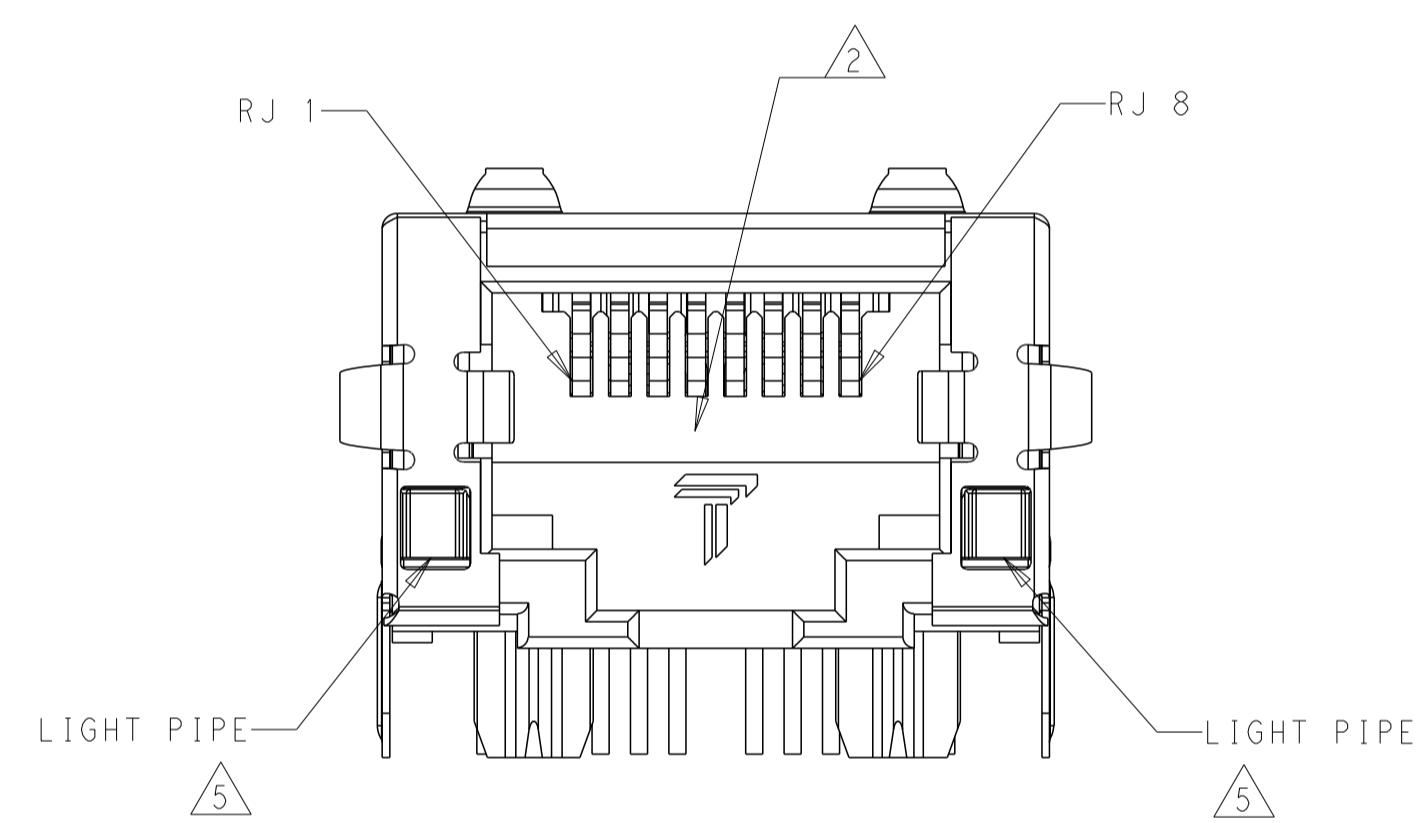
4. OPERATING TEMPERATURE: FROM 0°C TO 70°C

5. LIGHT PIPES ARE USED TO TRANSMIT LIGHT OF SMD LED'S MOUNTED ON CUSTOMER BOARD.

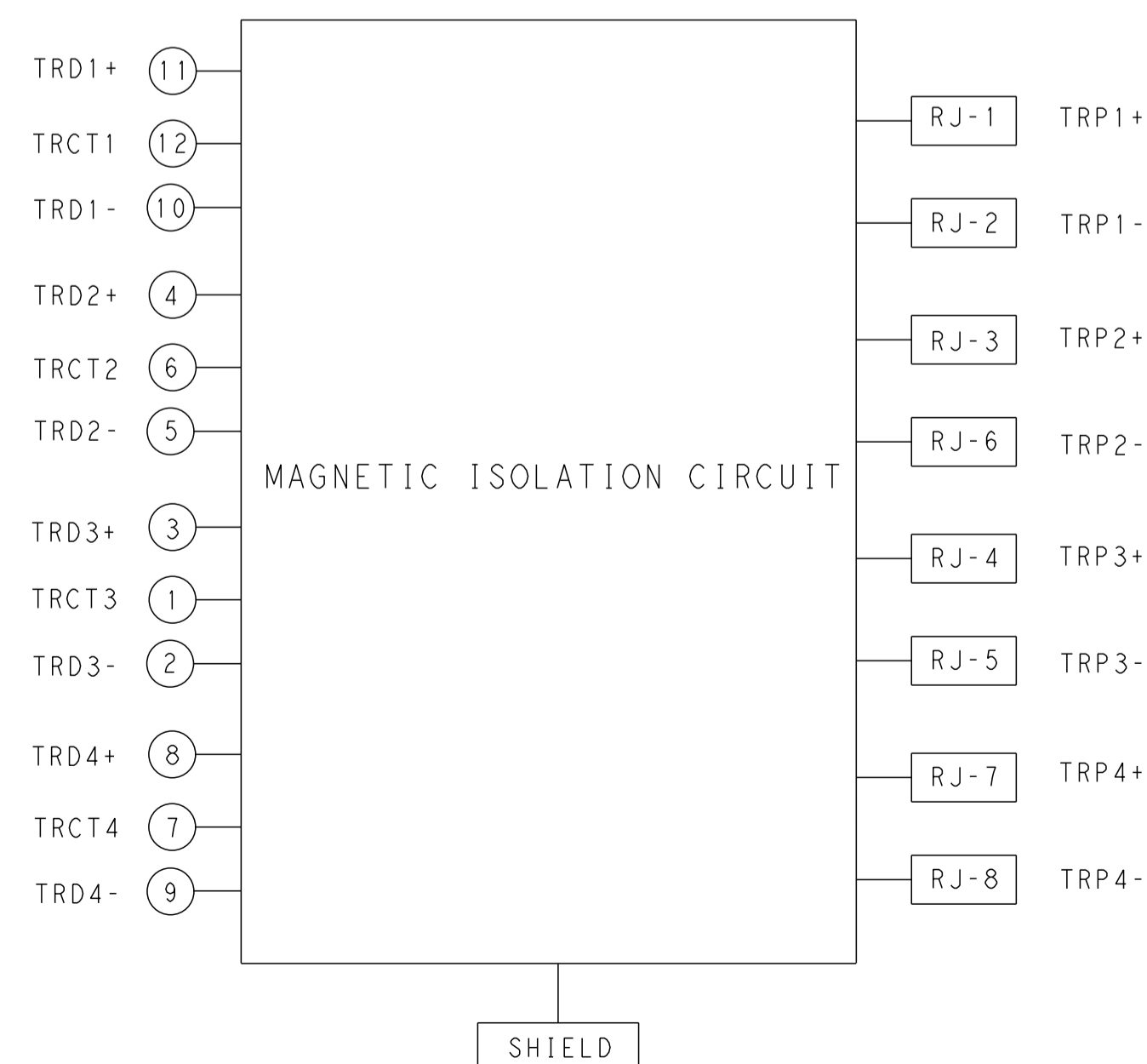
6. ALL DIMENSIONS ARE NOMINAL UNLESS OTHERWISE NOTED.

7. TRP CONNECTOR LOGO, PART NUMBER, DATE CODE, COUNTRY OF ORIGIN, AND AGENCY APPROVAL MARKING IN APPROXIMATE LOCATION SHOWN, DATE CODE: YYWD WHERE YY IS YEAR, WW IS WORK WEEK, D IS DAY OF WEEK, WITH SUNDAY=1.

8. THESE PARTS COMPLIANT TO WAVE SOLDERING PROCESS, PREHEAT TEMPERATURE IS 120°C TO 160°C, 120 SECONDS TO 180 SECONDS, PEAK SOLDERING TEMPERATURE IS 260°C MAX, 10 SECONDS MAX

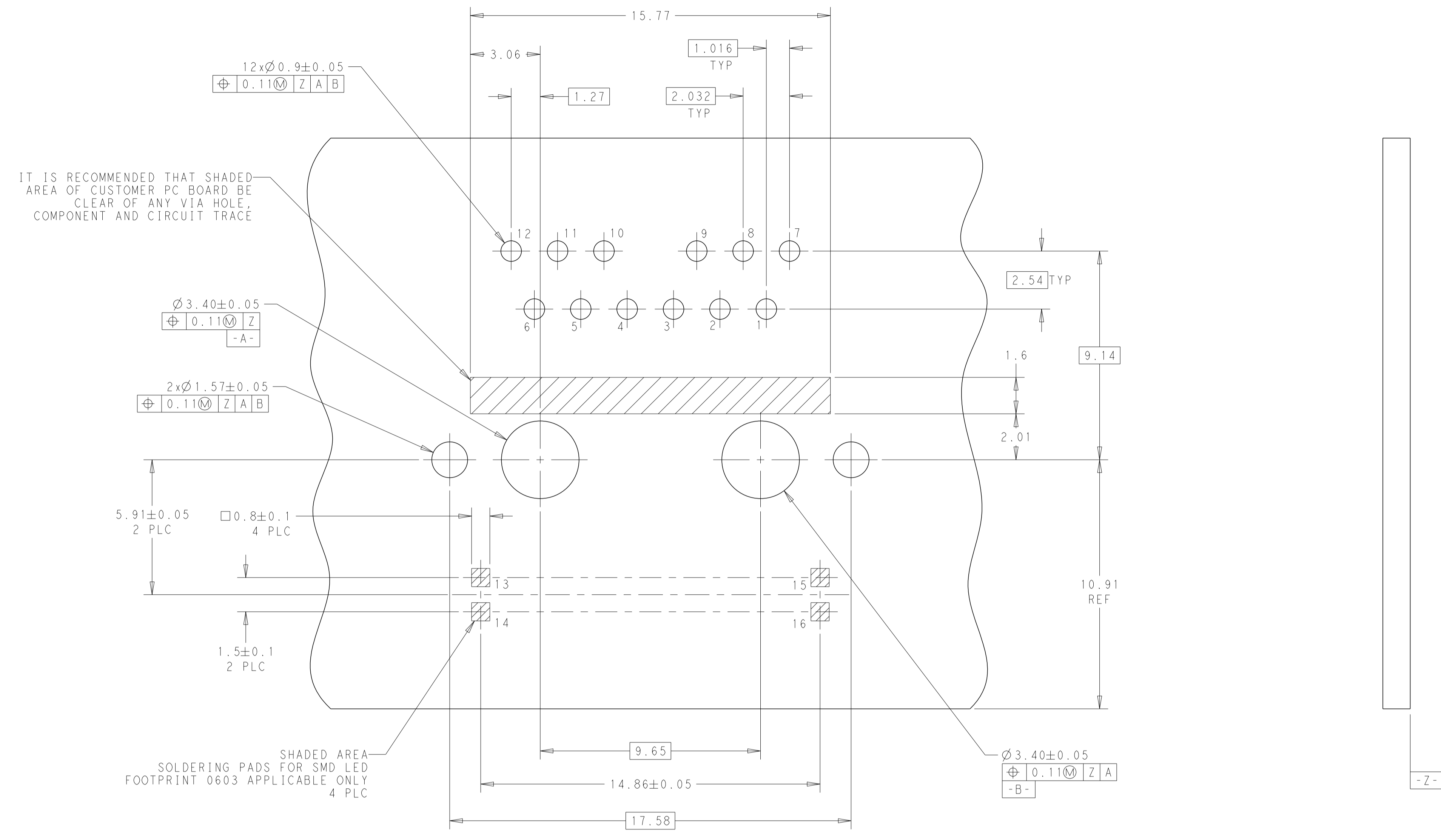


8TG13 10 GIGABIT CIRCUIT

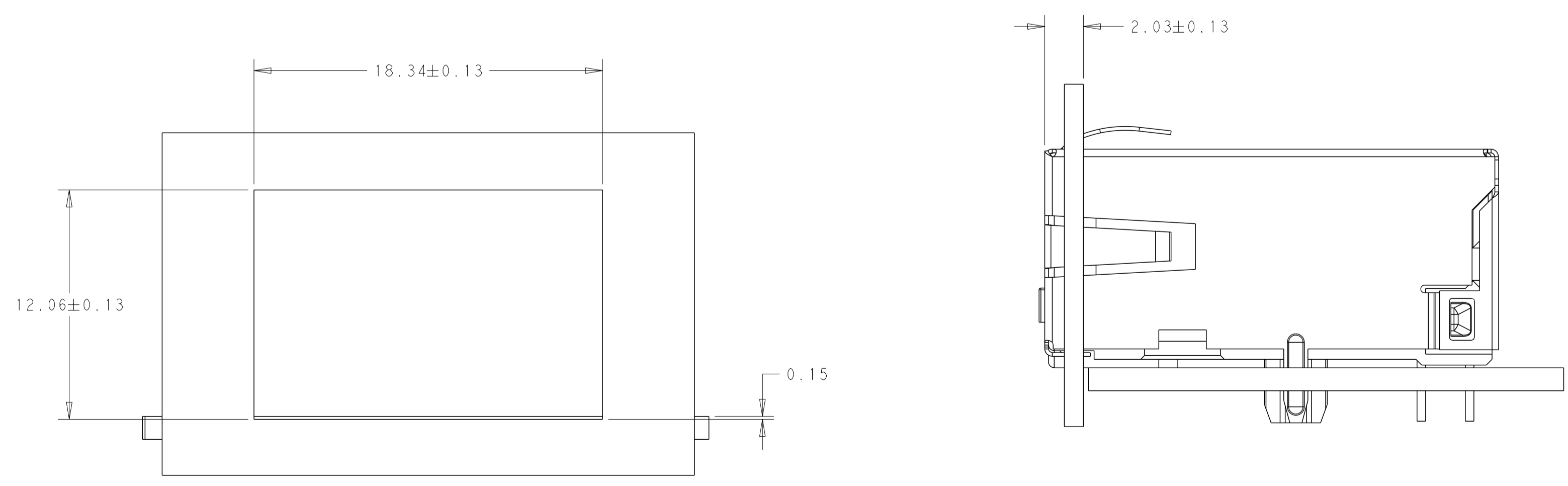


TRAY	2250920-1
PACKAGE METHOD	PART NO.

THIS DRAWING IS A CONTROLLED DOCUMENT AND COMPLIANT TO ASME Y14.5M		DWN: JARRY YE / 16 JUL 2024 CHK: TOWER YU / 16 JUL 2024 APVD: TONY YUAN / 16 JUL 2024	DONGGUAN CHINA
DIMENSIONS: mm 0 PLC ±0.25 1 PLC ±0.25 2 PLC ±0.25 3 PLC ±0.25 4 PLC ±0.25 ANGLES ±°	TOLERANCES UNLESS OTHERWISE SPECIFIED:	MODEL NAME: MAGJACK DESC: SINGLE NON-POE	
PRODUCT SPEC: 108-104004	APPLICATION SPEC:	SIZE: A1 CAGE CODE: C=2250920	CUSTOMER DRAWING
SCALE: 5:1		SHEET: 1 OF 3	REV: 1




SUGGESTED PCB LAYOUT
 (COMPONENT SIDE)



SUGGESTED PANEL CUTOUT

THIS DRAWING IS A CONTROLLED DOCUMENT. AND COMPLIANT TO ASME Y14.5M		DWN: JARRY YE / 16 JUL 2024 CHK: TOWER YU / 16 JUL 2024 APVD: TONY YUAN / 16 JUL 2024	DONGGUAN CHINA
DIMENSIONS: mm 	TOLERANCES UNLESS OTHERWISE SPECIFIED: 0 PLC ±0.25 1 PLC ±0.25 2 PLC ±0.25 3 PLC ± 4 PLC ± ANGLES ± APPLICATION SPEC ±	MODEL NAME: MAGJACK DESC: SINGLE NON-POE	
PRODUCT SPEC: 108-104004		CUSTOMER DRAWING	SCALE: 5:1 SHEET: 2 OF 3 REV: 1

C_2250920						STOCK DISPOSITION			
						A: CONTINUE AS IS		D: USE OLD FIRST	
						B: REWORK		E: PARTS TO CONFORM	
						C: SCRAP		F: OTHER	
REVISION HISTORY									
DATE	REV	CHANGES	REASON	APPROVAL	INVENTORY (A,B,C,D,E,F)	WORK IN PROCESS (A,B,C,F)	SUPPLIER ORDERS (A,E,F)	OPEN CUST ORDERS (A,E,F)	
16JUL2024	1	INITIAL RELEASE	-	TY	-	-	-	-	

THIS DRAWING IS A CONTROLLED DOCUMENT. AND COMPLIANT TO ASME Y14.5M		OWN: JARRY YE / 16 JUL 2024	 trp CONNECTOR a bel group DONGGUAN CHINA
DIMENSIONS: mm		CHK: TOWER YU / 16 JUL 2024	
TOLERANCES UNLESS OTHERWISE SPECIFIED: 0 PLC ±0.25 1 PLC ±0.25 2 PLC ±0.25 3 PLC ± 4 PLC ± ANGLES ± APPLICATION SPEC ±		APP'D: TONY YUAN / 16 JUL 2024	
PRODUCT SPEC 108-104004		MODEL NAME MAGJACK	DESC IXI 106 8TG13 TAB DOWN LOW PROFILE NO LED W/ LIGHT PIPE
		SINGLE NON-POE	SIZE: A1
		CUSTOMER DRAWING	SCALE: 5:1 SHEET 3 OF 3 REV 1